

A note to users:  
The center top number is correlated to PDF search  
function to allow the user to quickly find the area of  
interest. Most page numbers are in yellow boxes.  
More notes on this edited material on page 3

## PARTS INDEX

### A

Accelerator cable & linkage	33
Alternator	187
Angle drive speedometer	225
Anti roll bar, Front	139
Anti roll bar link, Front	139
Air filter	47
Air pump	29
Ash tray	247

### B

Battery	191
Battery cables	221
Brake callipers + rep kit	143
Brake pads	143
Brake dust cover	143
Brake disc	143
Brake drum	153
Brake shoes	153
Brake back plate, rear	153
Brake levers, rear	151
Brake master cylinder	161
Brake master cylinder box	157
Brake fluid reservoir	161
Brake pipes & fittings	171
Breather	28
Bump stop, front	135
Bulb holders	219
Bonnet & fittings	241
Badges	243

### C

Camshaft	11
Carburettor (UK)	35
Carburettor (USA)	43
Carburettor fixings ie. linkage	33
Carpet set	247
Choke cable	107
Clutch	49
Clutch master cylinder	129
Clutch pipes	129
Clutch slave cylinder	129
Coil, ignition	185
Courtesy light switch	193
Cowling, steering column	197
Crankshaft	7
Cylinder head	13

Crankshaft	7
Cylinder head	13

### D

Differential assy	147
Dipstick	17
Distributor	185

### E

Engine mountings	23
Exhaust manifold	25
Exhaust mountings	103
Exhaust system	103
Expansion tank	99

### F

Fan	21
Fan belt	21
Flasher unit	193
Flasher warning light	193
Fly wheel	7
Front end assy sheet metal	235
Fuel pipes	113
Fuel pump	117
Fuel tank	111
Fuel tank sender unit	111
Fuse box	191

### G

Gearbox externals, non overdrive	51
Gearbox internals, non overdrive	53
Gearbox externals, overdrive	63
Gearbox internals, overdrive	65
Gearbox, automatic	80
Gearbox service kit, automatic	95
Gearlever & gaiter	59
Gearlever, overdrive	71

### H

Handbrake cable	183
Head gasket	13
Headlamp units	201
Heat shield	25

Heater assy	249
Heater matrix	249
Horn	213
Horn push	213
Hub, front	141
Hub, rear	153

**I**

Indicator switch	193
Inlet manifold	25
Instruments	227-234
Ignition leads	186

**J**

Jack & tools	257
--------------	-----

**K**

King pin assy	141
---------------	-----

**L**

Lamp, head	201
Lamp, side & flasher	209
Lamp, fog	207
Lamp, rear	209
Lamp, number plate	209
Lamp, reverse	209

**M**

Main bearings	7
---------------	---

**N**

Number plate lamp assy	209
------------------------	-----

**O**

Oil cooler	97
Oil filler cap	15
Oil filter	17
Oil pump	17
Overdrive switch	194
Overdrive wiring harness	221

**P**

Panels, front	235
Pedal assy, accelerator	107

Pedal assy, brake	157
Pedal assy, clutch	129
Pistons & rings	5
Prop shaft	133
Push rods	11

**R**

Radiator	99
Radiator hoses	99
Rear lamp assy	209
Reflector, rear	211
Regulator, alternator	187
Reverse lamp assy	209
Reverse lamp switch	59
Reverse switch cable /harness	219
Rocker cover	15

**S**

Servo unit	167
Shock absorber, front	135
Shock absorber, rear	145
Shock absorber link, rear	145
Spare wheel clamp	257
Speedometer	225
Speedo cable	225
Springs, rear	155
Starter motor	189
Steering arm	141
Steering column	125
Steering lock assy (UK)	125
Steering lock assy (USA)	127
Steering rack	121
Steering wheel	125
Stub axle	141
Sump	17
Suspension, front	135
Switches, dash board	193
Switches (USA)	198

**T**

Tachometer	227
Thermostat	15
Tie bar	139
	139
Timing chain	11
Timing cover gasket	15
Torsion bar	139

**U**

<b>Universal joint, steering column</b>	<b>125</b>
<b>Universal joint, prop shaft</b>	<b>133</b>

**V**

<b>Vacuum pipe</b>	<b>185</b>
<b>Valves</b>	<b>13</b>
<b>Valve guides</b>	<b>13</b>
<b>Valve Springs</b>	<b>13</b>

**W**

<b>Warning lights</b>	<b>219</b>
<b>Washer bottle</b>	<b>245</b>
<b>Washer jets</b>	<b>245</b>
<b>Washer pump, electric</b>	<b>245</b>
<b>Washer pump, manual</b>	<b>245</b>
<b>Water filler cap</b>	<b>15</b>
<b>Water pump</b>	<b>19</b>
<b>Water pump pulley</b>	<b>21</b>
<b>Wheels</b>	<b>255</b>
<b>Wheel cylinder</b>	<b>153</b>
<b>Wheel spinners</b>	<b>255</b>
<b>Wiper blades &amp; arms</b>	<b>215</b>
<b>Wiper motor</b>	<b>215</b>
<b>Wiper motor wiring harness</b>	<b>223</b>
<b>Wiper rack</b>	<b>215</b>
<b>Wiper wheelbox</b>	<b>215</b>
<b>Wiring</b>	<b>219</b>
<b>Wiring harness clips &amp; grommets</b>	<b>223</b>

Original part numbers have undergone several iterations from OE BMC to Leyland, Unipart and several updated suppressions. Where possible I have left the OEM PN's (original equipment manufacturer part numbers) stand with previous edits and emends also standing but in the case of the orange box edits I am totally responsible for their doing with some date references when some parts have become available and taking certain credit for their creation when I have done so. Not so much aggrandizement as a reference in the future that there these parts have been made and can be again, resources are in place for the near future anyhow. This compilation exceeds my copy of the original BMC MGC parts manuals and literally fell into my lap. I do not know the source and am unable to unlock it for a better presentation thus my effort to update in the best manner available. I commend whomever did this and would be the first to give credit but I simply do not know.

I've attempted to make this an easy format to search coordinating the index to the search function of the PDF to where the first clear illustration of the part is shown followed by a page of coordinated picture references and part numbers. In book form the left page would have the picture or Plate while the right hand would have part numbers. Plates would be repeated until all related part numbers could be inserted.

Abbreviations follow British car parlance:

OE original equipment

OEM original equipment manufacturer

PN part number

NLS no longer supplied

NCA not currently available.

Obviously these references do not stand the total test of time as eventually someone such as myself may endeavor to re create the part as per OEM or to another standard such as stainless steel etc.

The biggest hurdle I faced was correctly interfacing the pages with the search function both in numbering each page and clarifying the index references to said page. I have today finished that task with one major glitch on page 235 which was originally inserted upside down. I hope to rectify that with the help of someone more savvy about such things.

Should anyone reading this find errors of omission or otherwise, I would appreciate your contact in order to correct this master I offer freely to anyone having interest. I consider this a vital piece of information for anyone attempting to replace parts on an MGC.

Principal edits completed August 27,

2017 Robert Kirk dba Kirks Auto Refitters and Kirks-Auto.

kirkbrit@yahoo.com

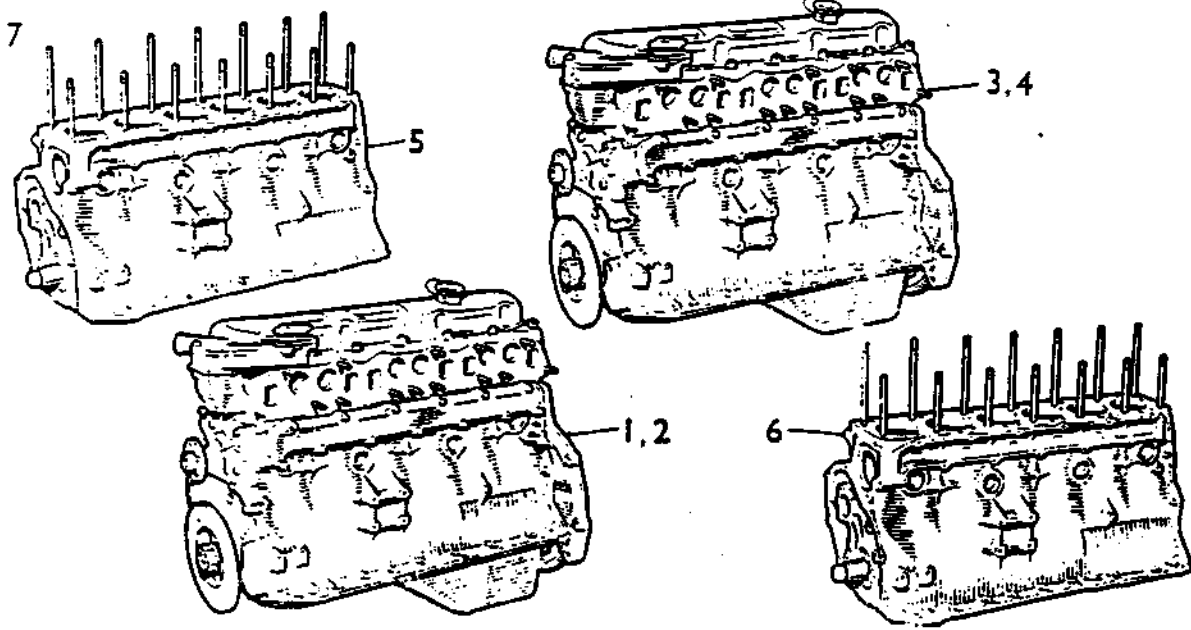
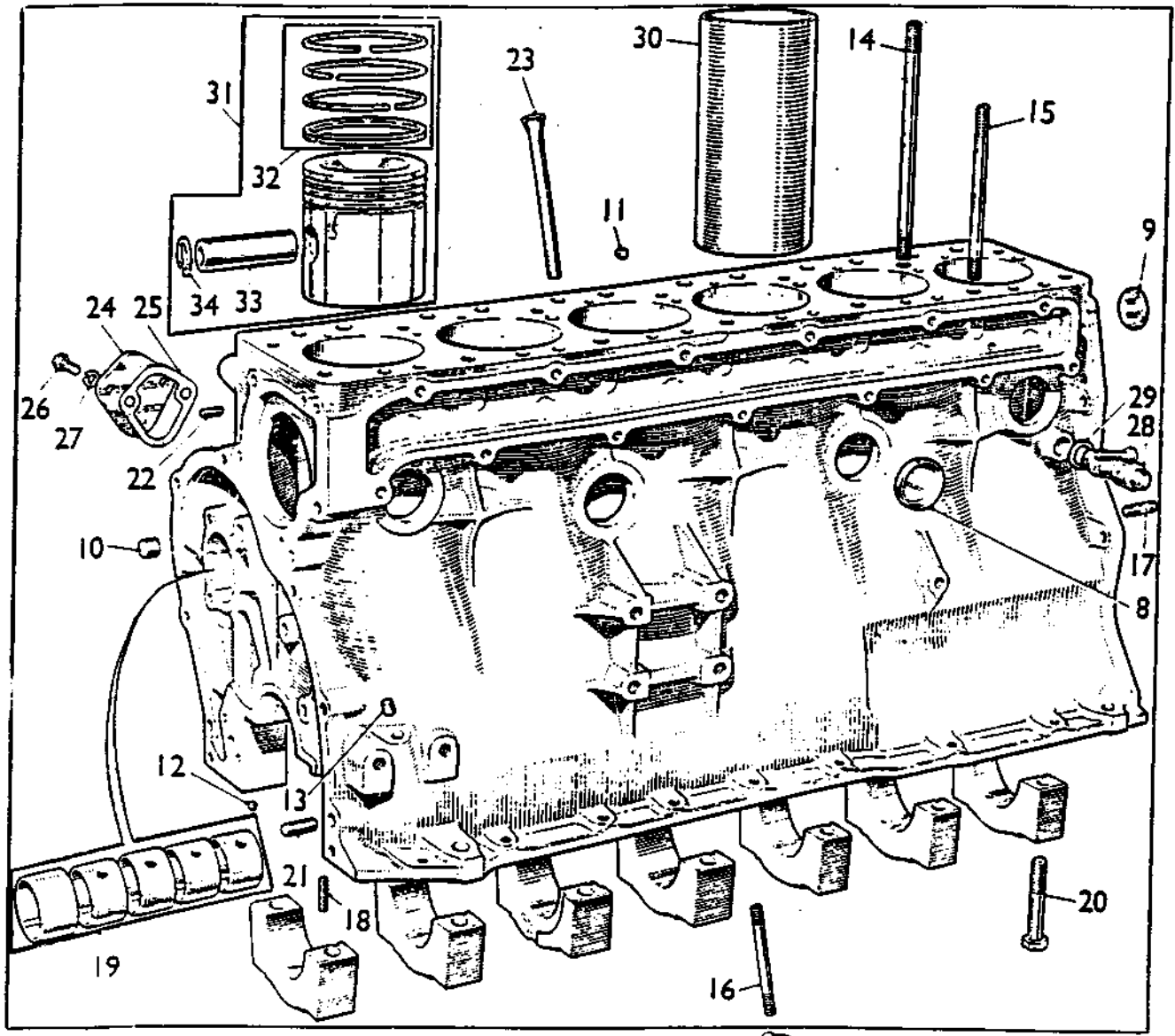
<http://www.kirks-auto.com>

563 323 1017

## ENGINE SERVICE KITS

<b>Gasket kit-engine</b>		
<b>decarbonising</b> .....	8G2537....1	GEG160
<b>Gasket</b>		
Cylinder head.....	12B1341...1	AJM323
Valve rocker cover.....	12B1362...1	GEG419
Inlet and exhaust manifold....	12B1545...1	GEG623
Carburetter.....	12B561....2	
Water outlet elbow.....	1K1056....1	115467
Filler neck to water outlet...	12B2066...1	
Hot spot.....	12B1578...2	N.L.A.
Ring-sealing-valve stem.....	12B2104...12	
<b>Gasket kit-engine</b>		
<b>supplementary</b> .....	8G2538....1	GEG238
<b>Gasket</b>		
Rear plate to crankcase.....	12B1424...1	N.L.A.
Front cover to crankcase.....	12B1336...1	
Water manifold.....	12B1333...1	N.L.A.
Cylinder side cover front.....	12B1349...1	
Cylinder side cover centre....	12A1775...1	
Cylinder side cover rear.....	12A1775...1	
Distributor housing.....	12B1412...1	
Oil reservoir.....	12B1466...1	N.L.A.
Oil filter.....	12B1465...1	
Fuel pump or blanking plate...	12B1575...1	N.L.A.
Chain tensioner.....	AEC339....1	
Oil pump.....	12B1468...1	N.L.A.
Water pump.....	12B1446...1	
Heater elbow or plate.....	88G423....1	N.L.A.
Seal-O-ring-cylinder side		
cover.....	13H3755...2	
Washer-oil reservoir drain		
plug.....	AEC699....1	
Washer-cylinder drain tap.....	2K4954....1	





ENGINE

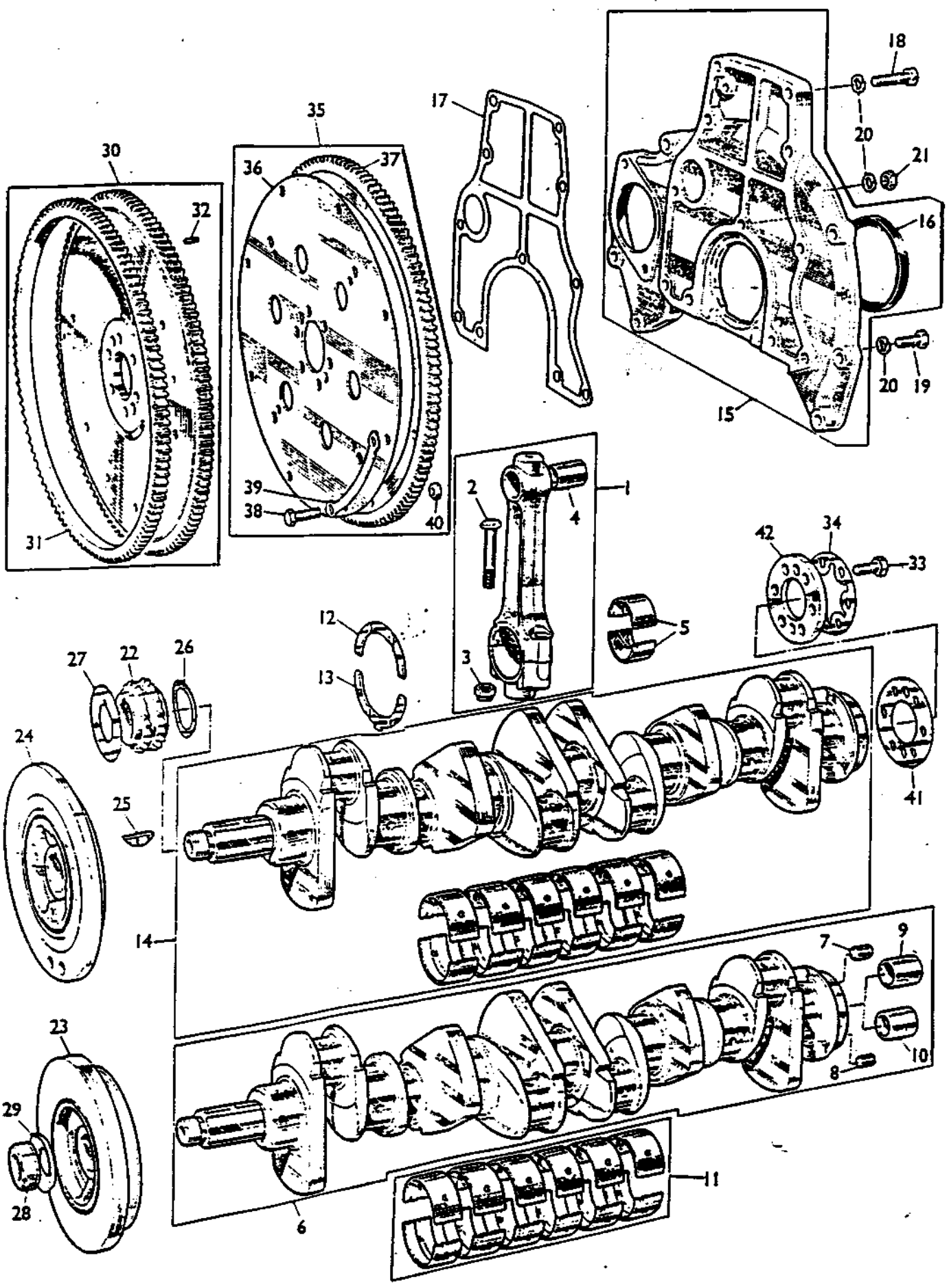
ENGINE UNIT STRIPPED

1.	Standard.....	68G347.....	1	N.L.A.	MANUAL
2.	Exhaust controlled.....	68G366.....	1	N.L.A.	
3.	Standard.....	68G355.....	1	N.L.A.	AUTOMATIC
4.	Exhaust controlled.....	68G367.....	1	N.L.A.	
5.	Engine unit-part.....	68G346.....	1	N.L.A.	MANUAL
6.	Engine unit-part.....	68G354.....	1	N.L.A.	AUTOMATIC
7.	Block assembly-cylinder.....	68G345.....	1	N.L.A.	
8.	Core plug-large.. = 1 5/8 1.625 cup	AEH592.....	1		
9.	Core plug-small.. = 1 5/16 1.3125 cup	AEC876.....	1		
10.	Plug-oil gallery.....	8G507.....	2	N.L.A.	
11.	Plug-distributor oil feed.....	2K1345.....	1	N.L.A.	
12.	Plug-chain tensioner feed.....	2K6650.....	1	N.L.A.	
13.	Plug-dipstick boss.....	12B1328.....	1	N.L.A.	
14.	Stud-cylinder head long.....	12B1329.....	7		
15.	Stud-cylinder head short.....	12B1330 x5	7		
16.	Stud-oil pump.....	FHS528.....	3	N.L.A.	29G/101 to ?
17.	Stud-rear plate to crankcase..	12B2181.....	1	N.L.A.	
18.	Stud-oil reservoir.....	12B2182.....	4	N.L.A.	
19.	Camshaft bearing set.....	8G2518.....	1		
20.	Screw-main bearing cap.....	12B2356.....	14		
21.	Dowel-front cover and rear palte.....	2K6822.....	4	N.L.A.	
22.	Dowel-water pump.....	2K6122.....	2	N.L.A.	
23.	Tube-oil level indicator.....	AEC672.....	1	N.L.A.	
24.	Plate-blanking-fuel pump.....	1G2443.....	1	N.L.A.	
25.	Gasket.....	12B1575.....	1		in head gasket set
26.	Screw.....	HZS506.....	2		SH60506 1
27.	Washer-spring.....	LWZ205.....	2		GHF332
28.	Tap cylinder drain.....	3H2502.....	1		N.L.A.
29.	Waher-drain tap (fibre).....	2K4954.....	1		
30.	Liner-cylinder block.....	AEC879.....	6		
31.	Piston assembly standard SET..	8G2514 03.1	1		8G2576STD QTY 6
	Piston assembly .020" O/S SET.	8G2514 23.1	1		8G2576020 QTY 6
	Piston assembly .030" O/S SET.	8G2514 33.1	1		8G2576030 QTY 6
	Piston assembly .040" O/S SET.	8G2514 43.1	1		8G2576040 QTY 6
32.	Piston ring set standard.....	8G2515.....	1		8G2515STD
	Piston ring set .020" O/S.....	8G2515 20.1	1		8G2515020
	Piston ring set .030" O/S.....	8G2515 30.1	1		8G2515030
	Piston ring set .040" O/S.....	8G2515 40.1	1		8G2515040
33.	Pin-gudgeon.....	12B1478.....	6	N.L.A.	included with all piston sets
34.	Circlip.....	CCN214.....	12	N.L.A.	

Probably an error in original BMC manual Clarify when ordering

All 3 sizes OEM head studs are available 2x medium 12B2535 for engine lifts 12A1968

Correct cad plate "place" head bolts available



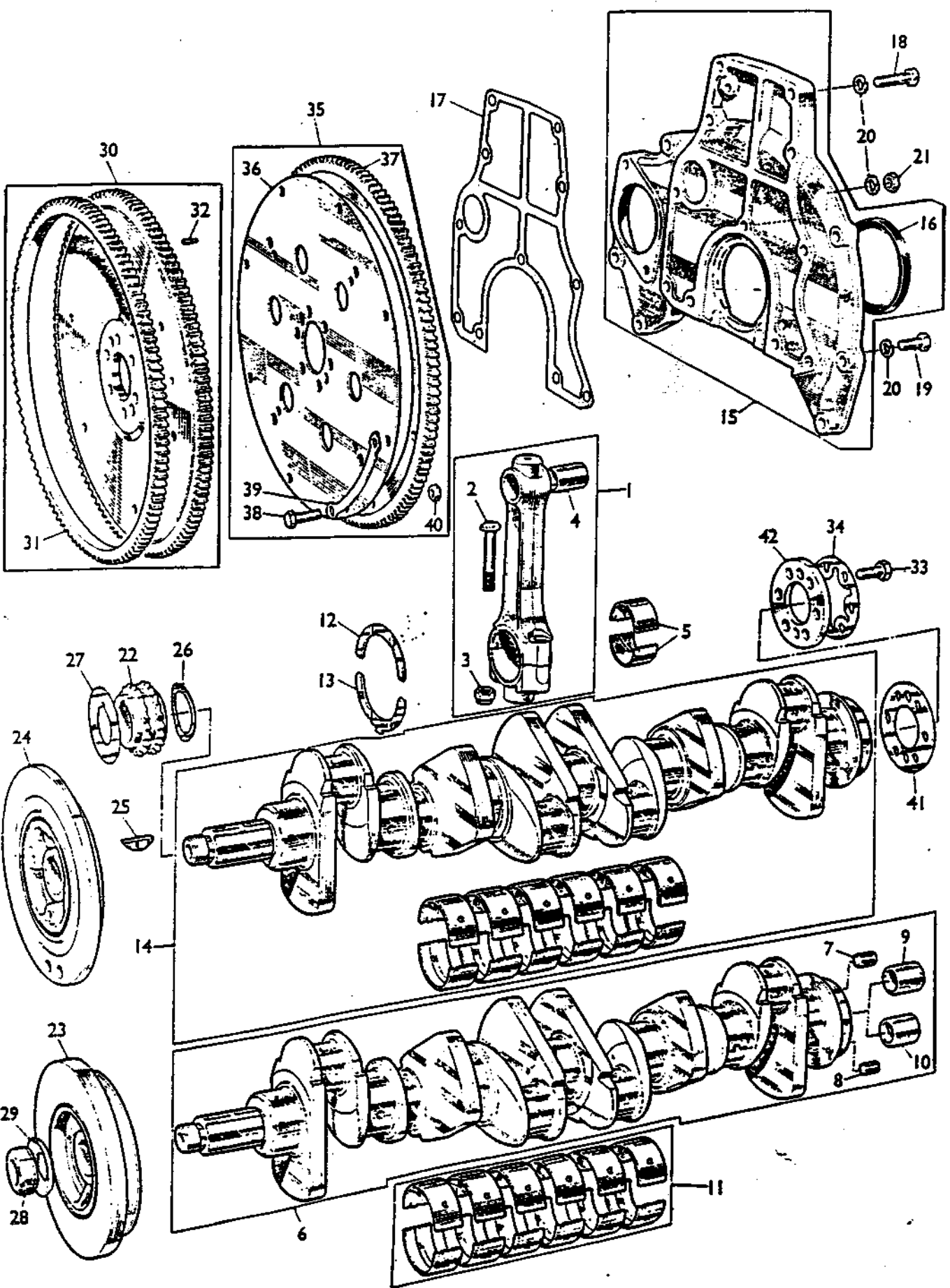
## ENGINE continued

1.	Rod-connecting.....	8G2529....	6	
2.	Bolt-cap.....	12B1457...	12	
3.	Nut.....	AEC328....	12	
4.	Bush-small end.....	88G464....	6	C17164
5.	Bearing-con rod standard SET..	8G2516....	1	8G2516STD
	Bearing-con rod .010" U/S SET.	8G2516 10.1		8G2516010
	Bearing-con rod .020" U/S SET.	8G2516 20.1		8G2516020
	Bearing-con rod .030" U/S SET.	8G2516 03.1		8G2516030
	Bearing-con rod .040" U/S SET.	8G2516 40.1		N.L.A.
6.	Crankshaft(with bush) MANUAL..	12B1393....	1	N.L.A.
	Crankshaft(with bush) AUTO....	12B1396....	1	N.L.A.
7.	Dowel-large.....	12B1395....	1	N.L.A.
8.	Dowel-small.....	12H1301....	1	
9.	Bush-manual.....	12H1630....	1	
10.	Bush-automatic.....	12B1397....	1	
11.	Bearing-main standard SET.....	8G2517....	1	8G2517STD
	Bearing-main .010" U/S SET....	8G2517 10.1		8G2517010
	Bearing-main .020" U/S SET....	8G2517 20.1		8G2517020
	Bearing-main .030" U/S SET....	8G2517 30.1		8G2517030
	Bearing-main .040" U/S SET....	8G2517 40.1		8G2517040
12.	Washer-thrust-upper standard..	AEC278....	2	BHM3000 sets
	Washer-thrust-upper .0025"O/S.	AEC332....	2	N.L.A. upper and lower
	Washer-thrust-upper .0050"O/S.	AEC744....	2	N.L.A. std,
	Washer-thrust-upper .0075"O/S.	AEC746....	2	N.L.A. 0.005
	Washer-thrust-upper .0100"O/S.	AEC748....	2	N.L.A. 0.010
13.	Washer-thrust-lower standard..	AEC279....	2	N.L.A. available 2015
	Washer-thrust-lower .0025"O/S.	AEC333....	2	N.L.A.
	Washer-thrust-lower .0050"O/S.	AEC745....	2	N.L.A.
	Washer-thrust-lower .0075"O/S.	AEC747....	2	N.L.A.
	Washer-thrust-lower .0100"O/S.	AEC749....	2	N.L.A.
14.	Crankshaft (with bearings)			
	manual EXCHANGE.....	68G349....	1	68G349E N.L.A.
	automatic EXCHANGE.....	68G350....	1	68G350E N.L.A.
15.	Plate assembly-rear mounting..	12B1422....	1	N.L.A.
16.	Oil seal-crankshaft rear.....	13H2457....	1	AHU2242 LUF10002 Improved seal
17.	Gasket.....	12B1424....	1	N.L.A.
18.	Screw-long.....	HZS612....	2	SH606121
19.	Screw-short.....	HZS608....	6	GHF105
20.	Washer-spring.....	LWZ306....	9	GHF333
21.	Nut-plate-stud.....	FNZ106....	1	GHF202
22.	Gear-crankshaft.....	12B1980....	1	
23.	Pulley-crankshaft(with damper)	12B1437....	1	N.L.A. 29G/101 on
24.	Pulley-crankshaft(with damper)	12B1894....	1	N.L.A. 29GA/101 on
25.	Key-pulley and gear.....	WKN608....	2	
26.	Washer-packing-gear & pulley..	2K8725...A/R		N.L.A.
27.	Thrower-oil.....	12B1436....	1	N.L.A.
28.	Nut-starting & crank pulley...	12B2072....	1	
29.	Washer-lock.....	12B681....	1	
30.	Flywheel assembly.....	22B306....	1	Alloy available 14 lbs 6.35 Kilo
31.	Gear-starter ring.....	22B554....	1	Available
32.	Dowel-flywheel to clutch.....	1G2984....	3	available.
33.	Screw flywheel to crankshaft..	12B2290....	6	
34.	Washer-lock.....	12H1303....	1	
35.	Plate assembly-drive. ] AUTO...	12B2084....	1	N.L.A.
36.	Plate-drive.....	12B2085....	1	N.L.A.



6

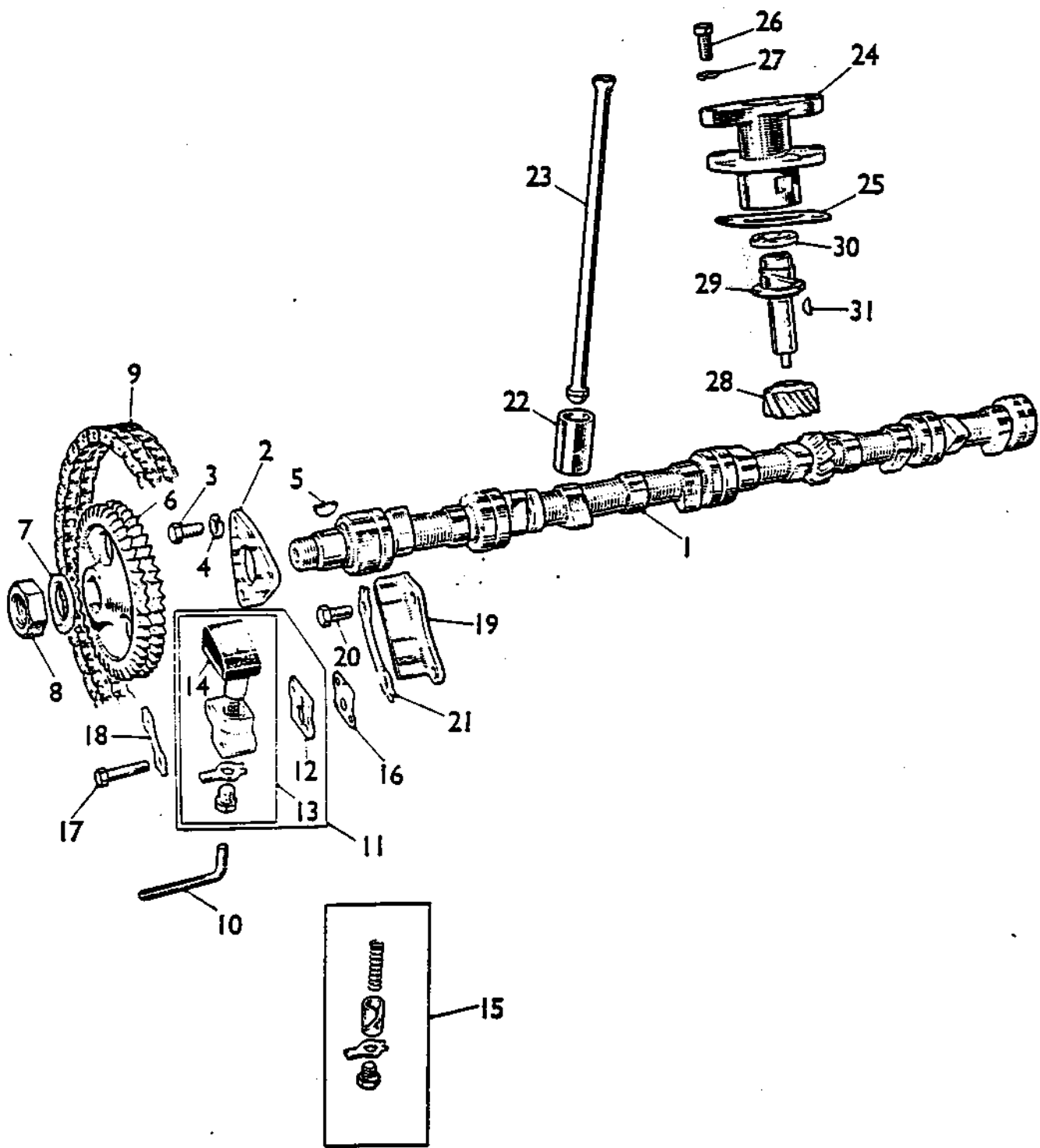
9



## ENGINE continued

37.	Gear-starter ring.....	.....12B2086...1	N.L.A.
38.	Bolt.....	.....12B2088...8	N.L.A.
39.	Washer-tab.....	AUTO...12B2087...8	N.L.A.
40.	Nut.....	.....FNN505...8	
41.	Plate-support.....	.....12B1483...1	N.L.A.
42.	Plate-crankshaft rear.....	.....12B1484...1	N.L.A.

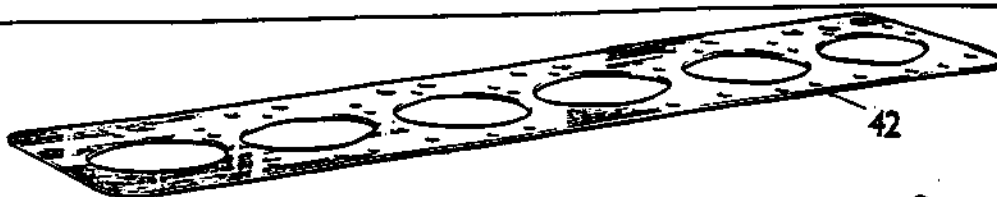
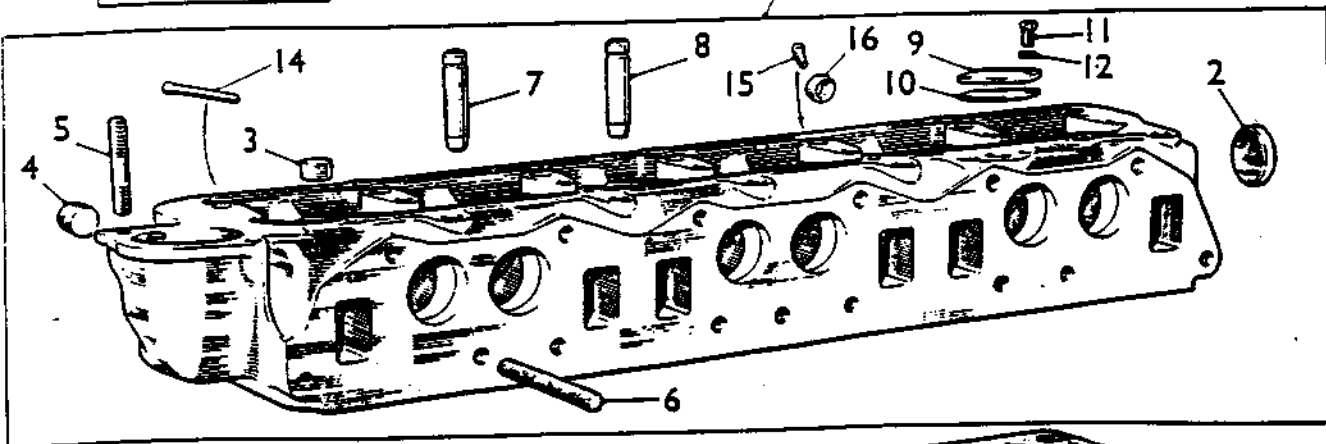
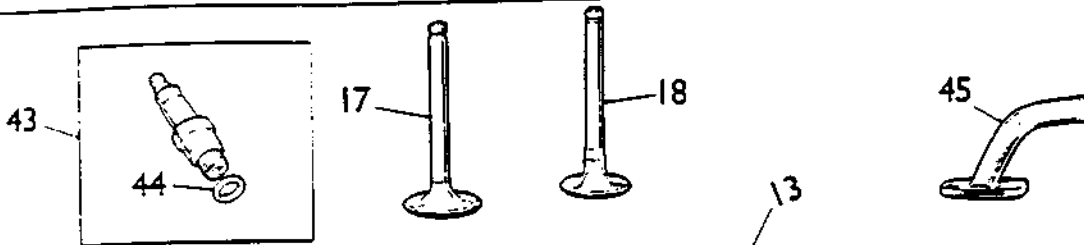
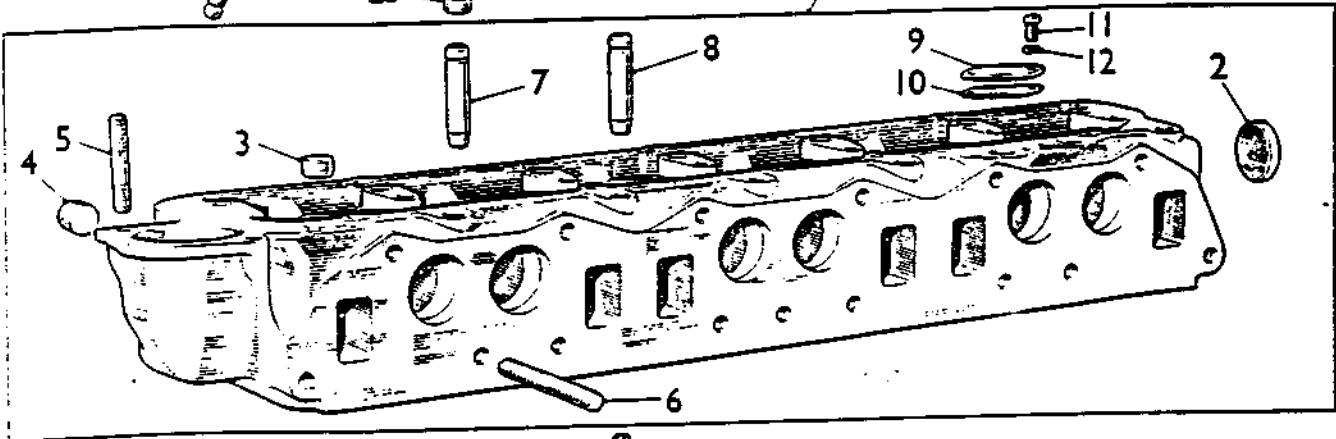
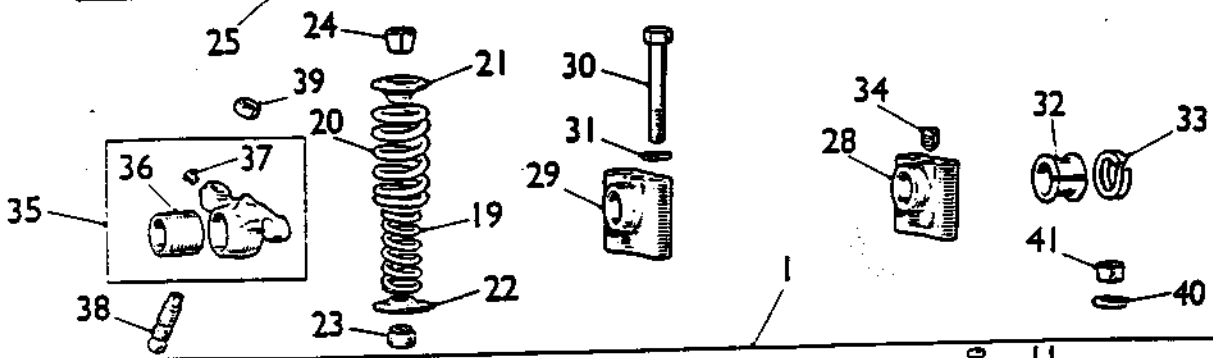
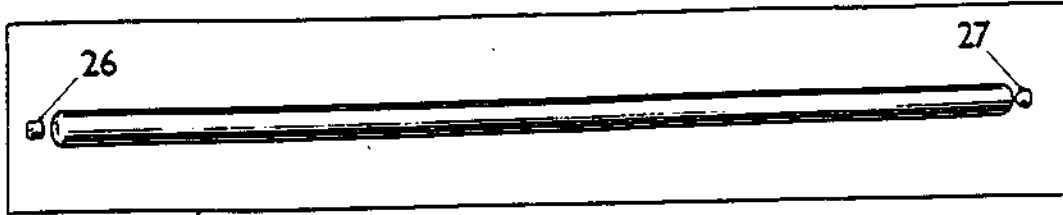
8



## ENGINE continued

1.	Camshaft.....	12B2469...1	N.L.A.
2.	Plate-locating.....	12B1439...1	N.L.A.
3.	Screw.....	HNS506...3	SH605061
4.	Washer-spring.....	LWN305...3	
5.	Key-camshaft gear.....	WKN606...1	
6.	Gear-camshaft.....	12B1429...1	
7.	Washer-lock.....	1B1219...1	
8.	Nut-gear retaining.....	AEC247...1	
9.	Chain-timing.....	12B1430...1	Heavy duty "endless" chain also available
10.	Key-allen-chain tensioner.....	17H6679...1	
11.	Tensioner assembly-chain.....	17H6681...1	37H7330 Improved EAC3629A as of 2016
12.	Plate-back.....	AJC5033...1	N.L.A.
13.	Tensioner assy (less plate)...	12B1431...1	N.L.A.
14.	Head-slipper.....	17H31...1	
15.	Kit repair-tensioner.....	17H341...1	
16.	Gasket.....	AEC339...1	
17.	Screw-tensioner to block.....	HNS410...2	SH604101
18.	Washer-lock.....	AEC340...1	
19.	Damper-chain.....	12B1432...1	N.L.A.
20.	Screw-damper to block.....	HNS506...2	SH605061
21.	Washer-lock.....	12B1434...1	
22.	Tappet standard.....	12B1363...12	stock or improved tappet/lifter with radius base KA 2016
	Tappet .010" O/S.....	12B136310.12	N.L.A.
	Tappet .020" O/S.....	12B136320.12	N.L.A.
23.	Rod-push.....	12B1364...12	4130 chrome moly tempered Exclusively available KA
24.	Housing-distributor.....	12B2216...1	N.L.A.
25.	Gasket.....	12B1412...1	
26.	Screw.....	HNS508...2	GHF103
27.	Washer-spring.....	LWZ305...2	
28.	Gear-distributor drive.....	12B2468...1	N.L.A.
29.	Shaft-distributor gear.....	12B2215...1	N.L.A.
30.	Washer-thrust.....	12B2217...1	N.L.A.
31.	Key-distributor gear.....	WKN505...1	





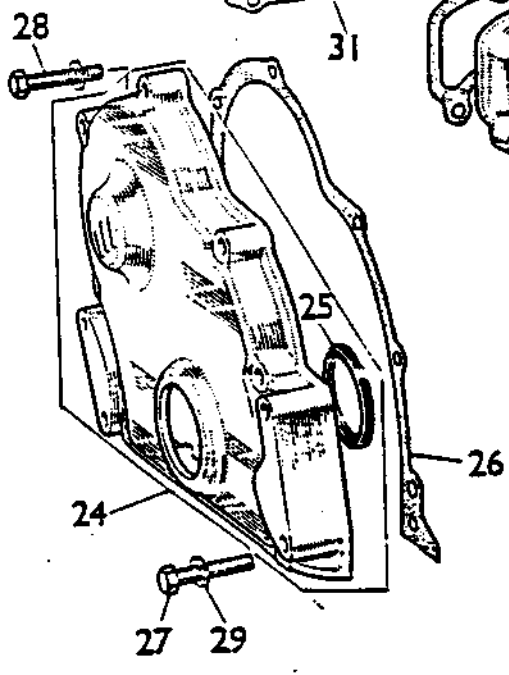
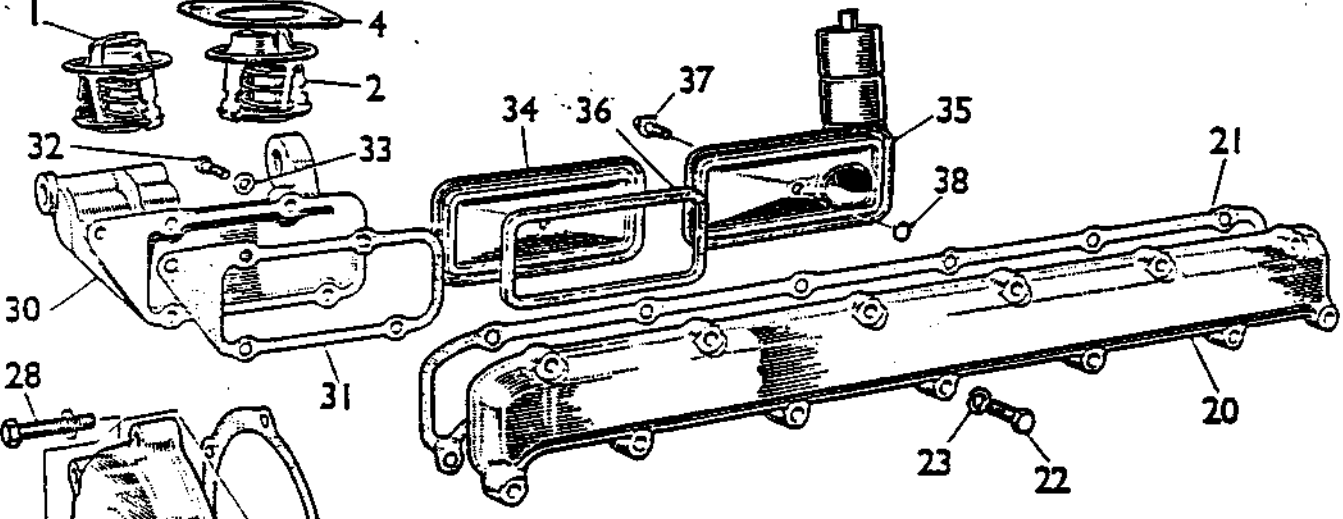
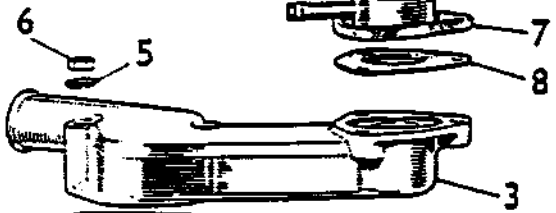
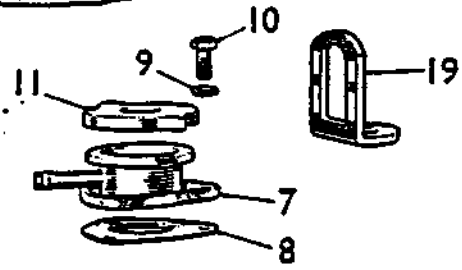
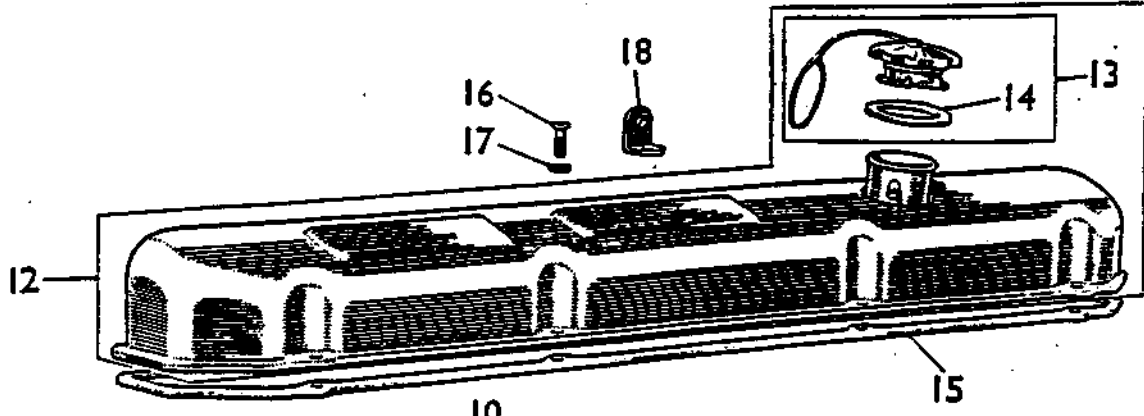
GEY 160 MED SET  
 GEY 238 BTM SET

ENGINE continued

1.	Head assembly-cylinder.....	68G348....1	N.L.A.	29G
2.	Core plug.....	AEC876....1	probably AEH592 1-5/8 1.625 cup AEC876=1 5/16	
3.	Core plug.....	11B323....4	a very limited supply are available at KA	
4.	Plug-thermal transmitter boss..	ADP210....1		
5.	Stud-water outlet elbow.....	FHS2520...2		
6.	Stud-manifold.....	FHS2614...15	N.L.A.	
7.	Valve guide-inlet standard....	12B1339...6	N.L.A.	
	Valve guide-inlet .010" O/S...	12B133910.6		
8.	Valve guide-exhaust standard..	12B1340...6	N.L.A.	
	Valve guide-exhaust .010" O/S.	12B134010.6		
9.	Plate-heater outlet blanking..	IG1282....1	REQUIRED WHEN A HEATER IS NOT FITTED	
10.	Gasket.....	88G423....1	In head set	
11.	Screw.....	HZS405....2	SH604051	
12.	Washer-spring.....	LWZ304....2	GHF331	
13.	Head assembly-cylinder.....	68G365....1		
14.	Injector-air-short.....	12B2348...2	N.L.A.	29GA
15.	Injector-air-long.....	12B2349...4	N.L.A.	
16.	Washer-crush.....	12B2445...2	N.L.A.	
17.	Valve-inlet.....	12B1342...6		
18.	Valve-exhaust.....	88G466....6		
19.	Spring-valve-inner.....	12B1344...12		
20.	Spring-valve-outer.....	12B1345...12		
21.	Cup-valve spring top.....	12B2177...12		
22.	Collar-valve spring bottom....	1H726....12		
23.	Riing-sealing-valve stem.....	12B2104...12		
24.	Cotter-valve complete.....	12H2117...12	AHU1709A	
25.	Shaft assembly-valve rocker...	12B1351...1		
26.	Plug-screw.....	2K4608....1		
27.	Plug-plain.....	6K876....1	N.L.A.	
28.	Bracket-rocker shaft-tapped...	12B1353...1	N.L.A.	
29.	Bracket-rocker shaft-plain....	12B1354...6	N.L.A.	
30.	Screw-rocker bracket to head..	HBZ520....7	BH605201	
31.	Washer-spring.....	LWZ305....7		
32.	Piece-distance-rocker shaft...	12B1355...6	N.L.A.	
33.	Washer-DC spring.....	2K2564...6	N.L.A.	
34.	Screw-locating-rocker shaft...	12G584....1	N.L.A.	
35.	Rocker assembly-valve.....	12B1356...12	Rebuild services available for all rocker assembly	
36.	Bush.....	12B1410...12		
37.	Rivet.....	5C2564...12	N.L.A.	
38.	Screw-tappet adjusting.....	48G207...12	12H3376	
39.	Nut-lock-tappet screw.....	51K1178...12		
40.	Washer-plain-head stud.....	12G2246...14	GHF303	
41.	Nut-head stud.....	AEC139...14		
42.	Gasket-cylinder head.....	12B1341...1	AJM323	
43.	Plug-sparking.....	13H875...6	BP6ES	
44.	Gasket.....	88G219...6	N.L.A.	
45.	Elbow-heater outlet.....	12B1963...1	CHA349	REQUIRED WHEN A HEATER IS FITTED

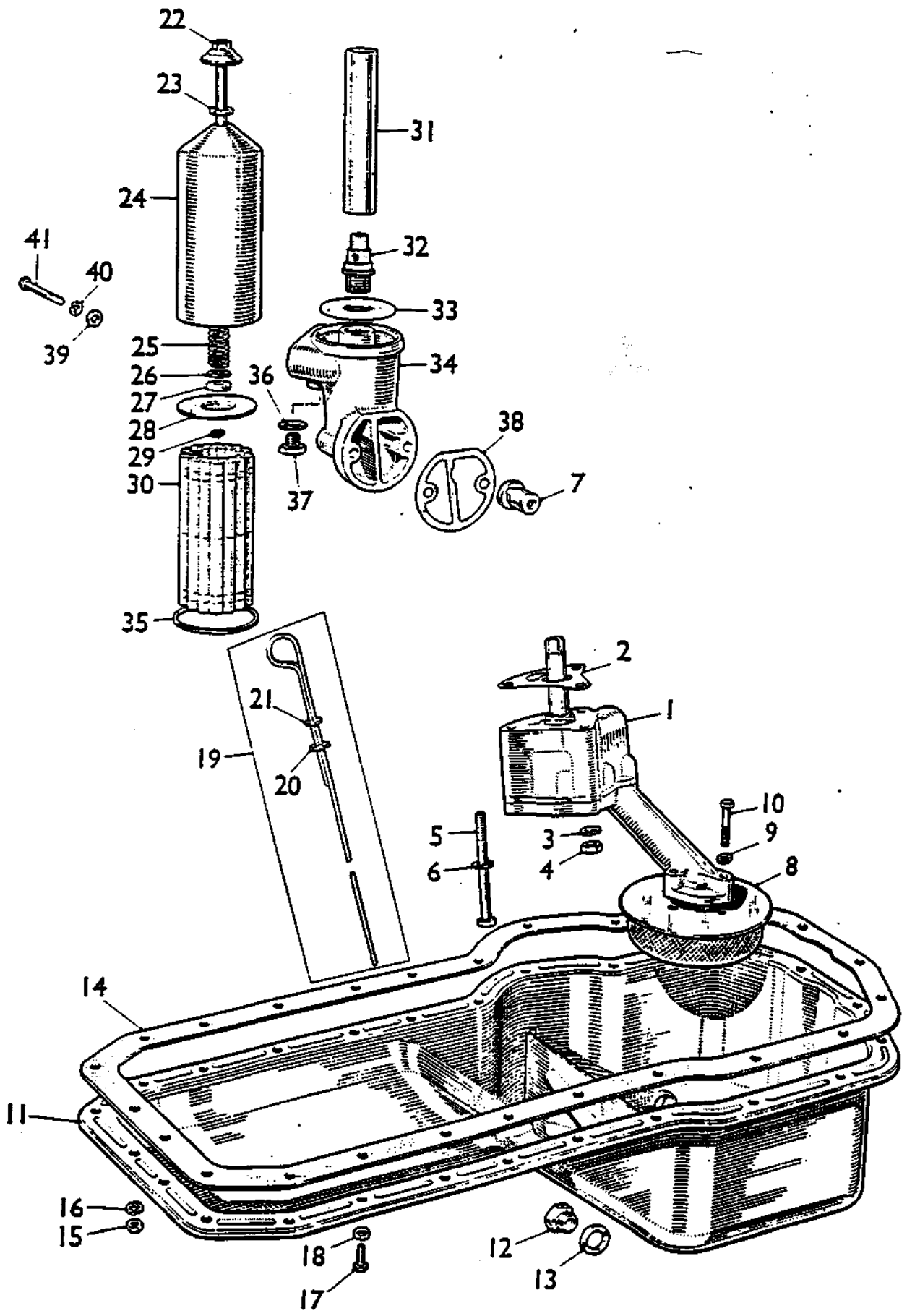
Head set gasket GEG160 Payen head gasket available 2015

Conversion bottom end set GEG238



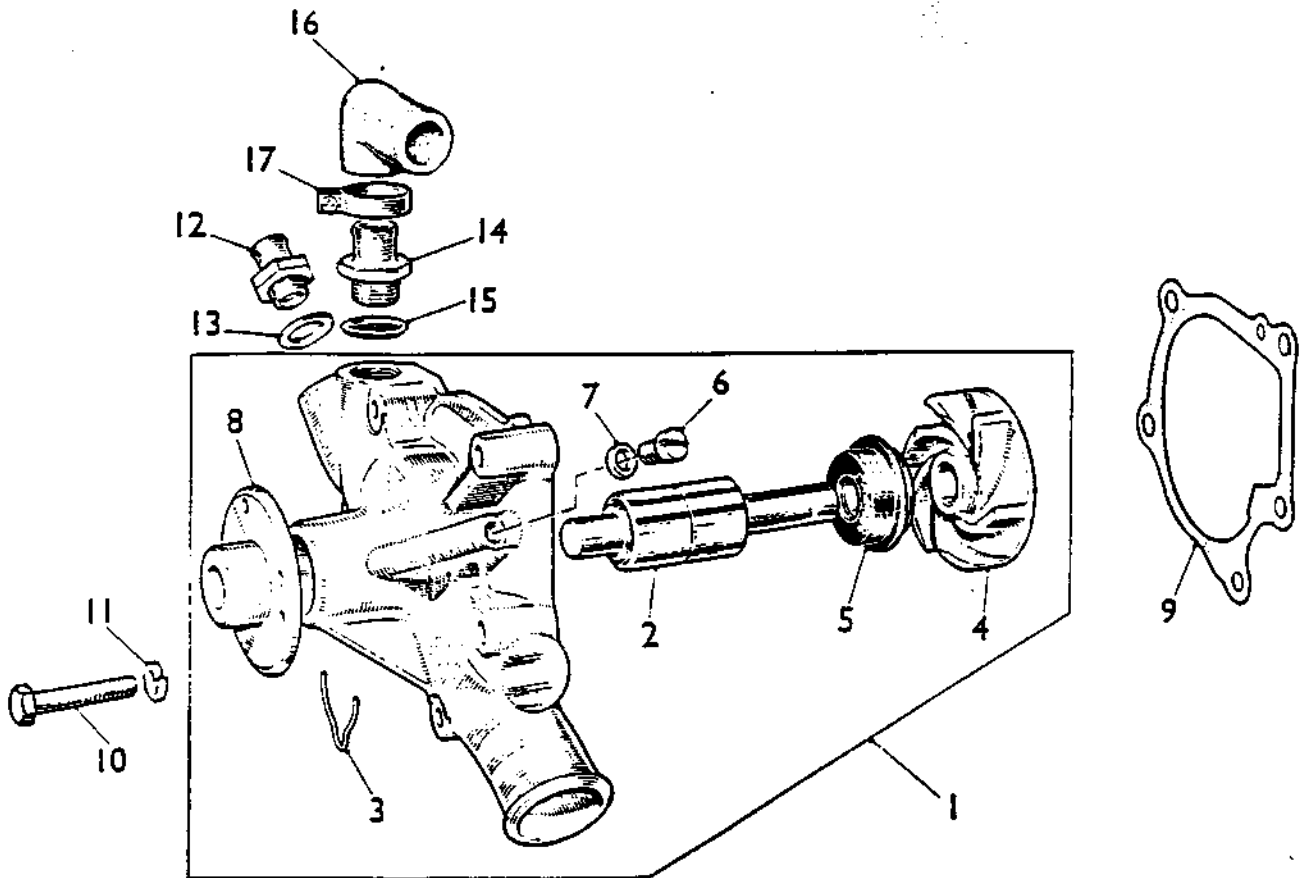
## continued

1.	Thermostat-74' C.....	13H3734...1	GTS103
2.	Thermostat-82' C.....	13H3252...1	GTS108
3.	Elbow-water outlet.....	12B1814...1	N.L.A.
4.	Gasket.....	1K1056...1	
5.	Washer-spring.....	LWZ305...2	
6.	Nut.....	FNZ505...2	
7.	Neck-filler (with flange)....	ARH2072...1	N.L.A. available 2017
8.	Gasket-neck to elbow.....	12B2066...1	
9.	Washer-spring.....	LWZ305...3	
10.	Screw.....	ZCS505...3	SH505051
11.	Cap-water filler.....	AHH5904...1	GRC201
12.	Cover-valve rocker.....	12B1810...1	12B1810FA finned alloy
13.	Cap-oil filler.....	12A402...1	
14.	Washer-filler cap(rubber)....	12A403...1	
15.	Gasket.....	12B1362...1	GEG409 OEM and silicone available
16.	Screw-pan head.....	FMZ410...7	SE604051
17.	Washer-plain.....	PWZ204...7	
18.	Clip-thermo pipe retainer....	AHC399...3	N.L.A.
19.	Bracket-engine sling.....	2A239...2	12A1968
20.	Cover-water manifold.....	12B1332...1	12B1332A alloy available 2015
21.	Gasket.....	12B1333...1	N.L.A.
22.	Screw.....	HBZ510...13	BH605101
23.	Washer-spring.....	LWZ305...13	
24.	Cover-cylinder front.....	12B2457...1	N.L.A.
25.	Seal-oil.....	AEC621...1	
26.	Gasket.....	12B1336...1	
27.	Screw.....	HBZ513...2	BH605131
28.	Screw.....	HBZ514...5	BH605141
29.	Washer-spring.....	LWZ305...7	
30.	Cover-cylinder side- with brackets.....	12B1348...1	N.L.A.
31.	Gasket.....	12B1349...1	
32.	Screw.....	HZS509...5	SH605091
33.	Washer (copper).....	AEC435...5	
34.	Cover-cylinder side-plain....	12A1386...1	
35.	Cover-cylinder side- with separator.....	12B1350...1	N.L.A.
36.	Gasket.....	<del>12A1175</del> ...2	12A1175
37.	Screw.....	53K1826...2	N.L.A.
38.	Seal-o'ring oil.....	13H3755...2	



## ENGINE continued

1.	Pump-oil.....	12B1467...1	N.L.A.
	Kit repair-pump rotor.....	12B1467X..1	
2.	Gasket.....	12B1468...1	N.L.A.
3.	Washer-spring.....	LWN305...3	] 29G/101 to ?
4.	Nut.....	FNN105...3	
5.	Bolt-oil pump to block.....	53K1846...3	N.L.A.
6.	Washer-plain.....	PWN205...3	] 29G/? on 29GA/101 on
7.	Valve-oil pressure release....	13H3651...1	
8.	Strainer-oil.....	12B1469...1	N.L.A.
9.	Washer-spring.....	LWN304...3	
10.	Screw.....	HBN410...3	BH604101
11.	Reservoir-oil sump.....	12B2344...1	N.L.A.
12.	Plug-drain.....	2H4685...1	AVAILABLE
13.	Washer-plug (copper).....	AEC699...1	
14.	Gasket-oil reservoir.....	12B1466...1	GEG525
15.	Nut-reservoir stud.....	FNZ204...4	NT604041
16.	Washer-spring.....	LWZ304...4	GHF331
17.	Screw-reservoir to block.....	6K639...21	
18.	Washer-plain.....	PWZ204...25	
19.	Dipstick assembly.....	12B1461...1	N.L.A.
20.	Washer-dipstick (rubber).....	AEC671...1	
21.	Washer-plain.....	PWN204...1	PWZ604
22.	Bolt-filter centre.....	27H9378...1	N.L.A.
23.	Washer-sealing.....	37H1173...1	AVAILABLE
24.	Container.....	17H3529...1	
25.	Spring-pressure plate.....	7H1764...1	
26.	Washer.....	7H1765...1	
27.	Washer-felt.....	7H1758...1	
28.	Plate-pressure.....	17H942...1	
29.	Circlip.....	17H2877...1	
30.	Element.....	48G171...1	GFE104
31.	Tube-centre.....	27H9380...1	N.L.A.
32.	Insert-anchor.....	27H9379...1	N.L.A.
33.	Plate-pressure.....	7H147...1	N.L.A.
34.	Head-filter.....	27H9382...1	N.L.A.
35.	Ring-sealing.....	13H998...1	
36.	Washer (copper).....	27H9377...1	N.L.A.
37.	Plug.....	27H9381...1	N.L.A.
38.	Gasket.....	12B1465...1	
39.	Washer-plain.....	PWZ206...2	
40.	Washer-spring.....	LWZ306...2	GHF333
41.	Screw.....	HBZ622...2	BH606221

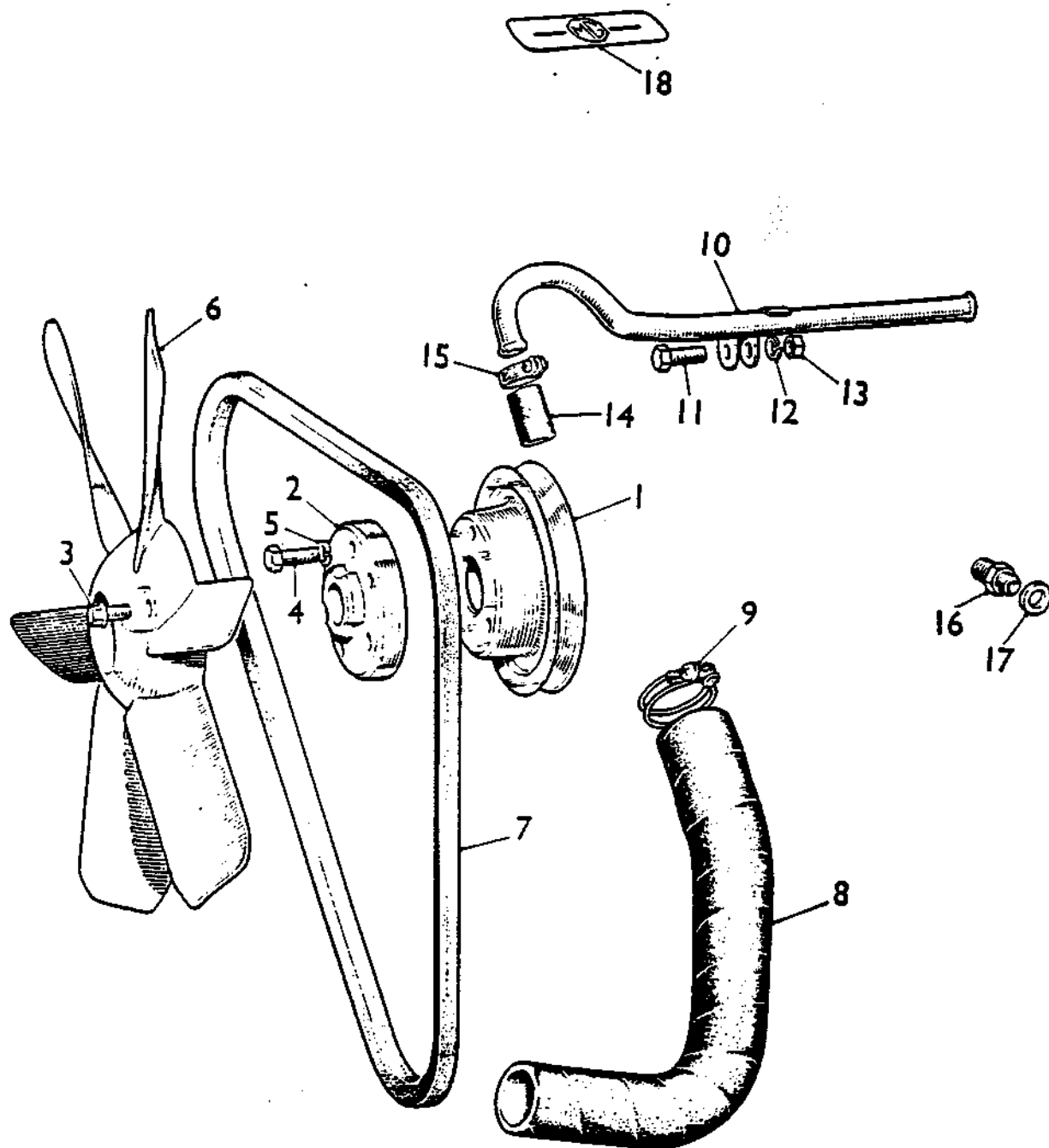


## ENGINE continued

1.	Pump assembly-water.....	12B1440...1	GWP111	N.L.A.
	Reconditioned pump EXCHANGE....	GWP111E...1		
2.	Bearing (with spindle).....	12A1328...1	Bearing & seal #5 PN 13H3875 AVAILABLE 2016 KA	
3.	Wire-bearing locating.....	2A778...1	N.L.A.	
4.	Vane.....	12B1442...1	N.L.A.	
5.	Seal-water pump.....	13H3875...1	with bearing kit	
6.	Screw-lubricating point.....	53K1443...1	N.L.A.	
7.	Washer (fibre).....	2K4974...1	N.L.A.	
8.	Hub-fan & water pump pulley...	12B1443...1	N.L.A.	
9.	Gasket.....	12B1446...1		
10.	Screw-pump to crankcase.....	HBZ513...5	BH605131	
11.	Washer-spring.....	LWZ305...5		
12.	Adaptor-heater to pump.....	12A922...1	AVAILABLE KA 2016	
13.	Washer.....	11K8309...1	267604A	
14.	Adaptor-by pass.....	12B1444...2		
15.	Washer-by pass adaptor.....	12B1445...2		
16.	Hose-by pass.....	12B1408...1		
17.	Clip-by pass hose.....	12B1826...2	replacements available including both stainless & double wire styles	

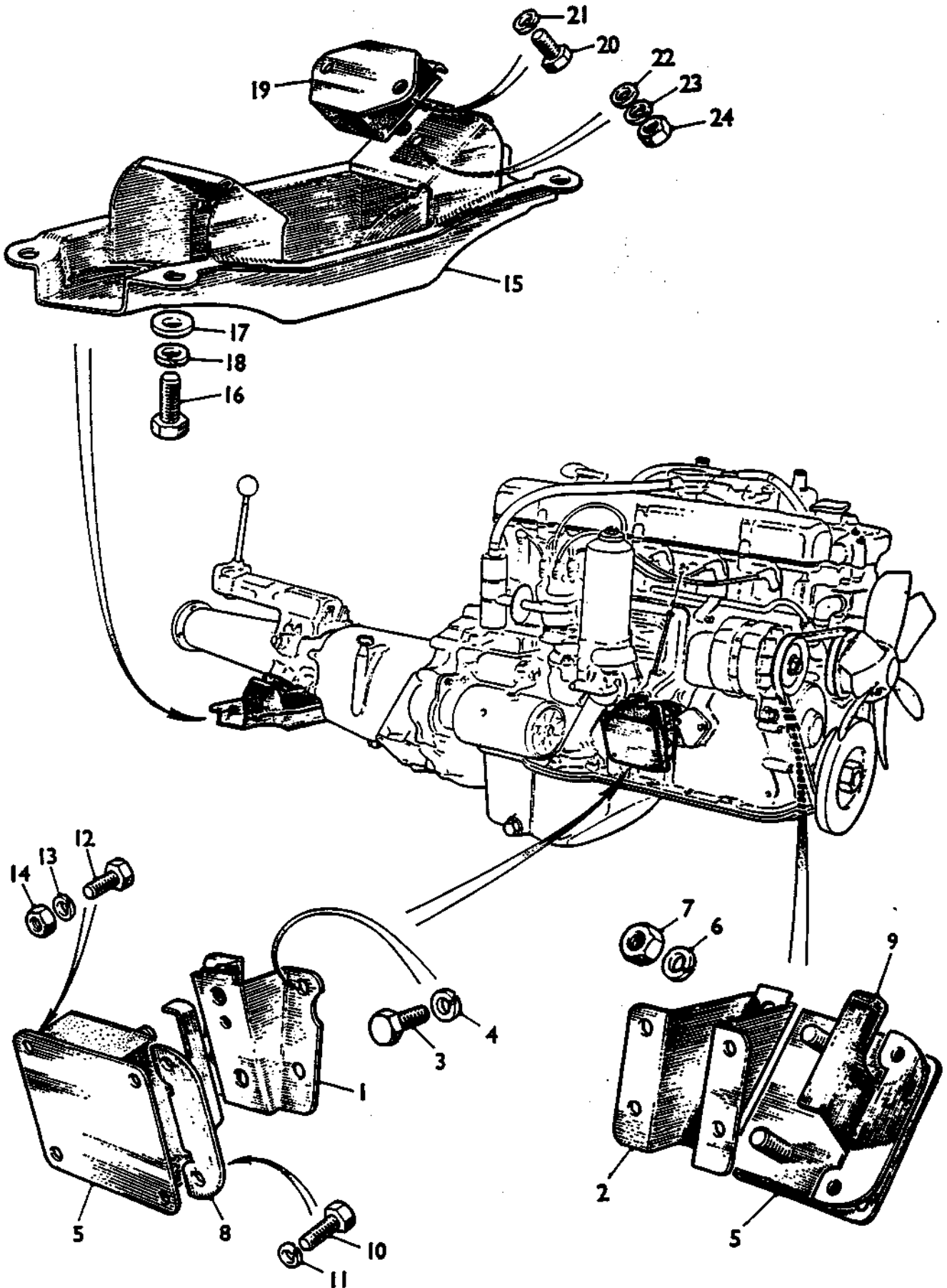


(18)



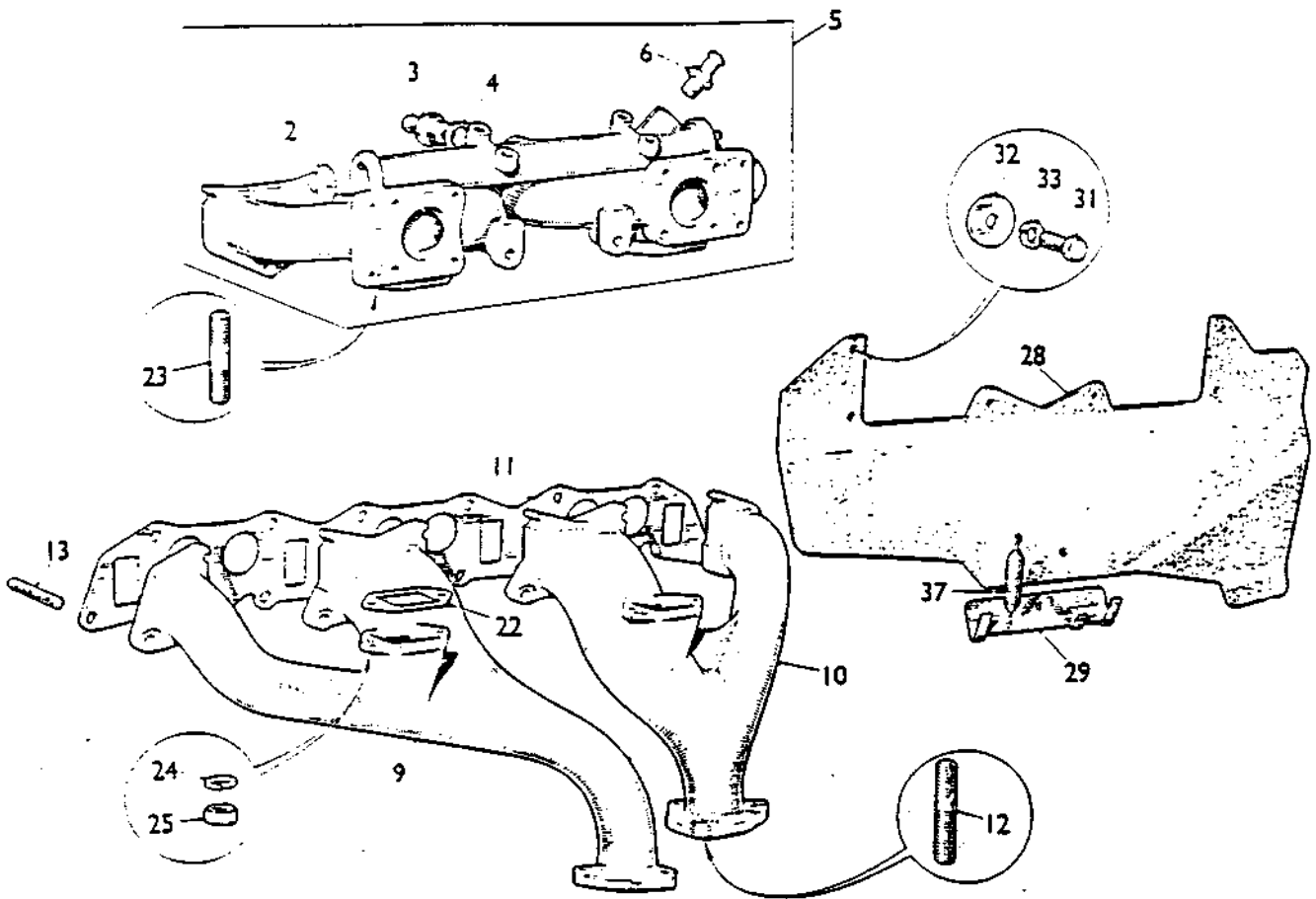
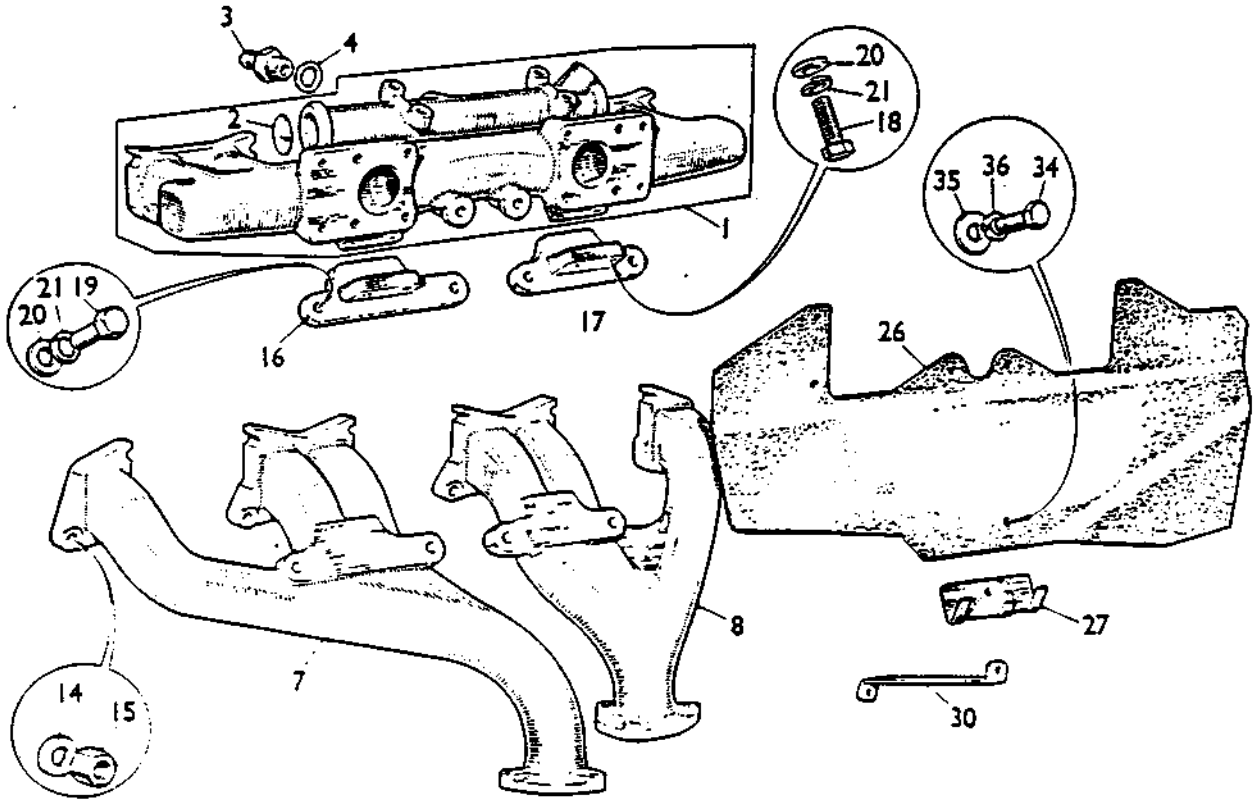
**ENGINE continued**

1.	Pulley-fan & water pump.....	12B1447...1	N.L.A.
2.	Spacer-fan to pulley.....	12B2054...1	N.L.A.
3.	Screw-fan to spacer.....	53K1839...3	N.L.A.
4.	Screw-spacer to pulley.....	HZS514...3	SH605141
5.	Washer-spring.....	LWZ305...3	
*6.	Fan-6 blade (plastic).....	13H3635...1	UK market & possibly EU market
7.	Belt-fan.....	13H1840...1	GCB21075
8.	Hose-water pump to radiator...	12B2477...1	GRH360
9.	Clip.....	HCS130...2	GHC913
10.	Pipe-water return (with clip).	AHC553...1	N.L.A.
11.	Bolt-return pipe to head.....	HZS510...1	SH605101
12.	Washer spring.....	LWZ305...1	
13.	Nut.....	FNZ105...1	GHF201
14.	Hose-pipe to adaptor.....	AHC231...1	AVAILABLE
15.	Clip.....	AHC190...2	GHC507
16.	Union-oil gauge pipe.....	2A269...1	
17.	Washer-oil pipe union.....	AEC787...1	N.L.A.
18.	Plate-engine name MG.....	12G826...1	CRST134
*6a.	Fan-8 blade steel North American market. ....	13H4988 . . . . . 1	Not illustrated available



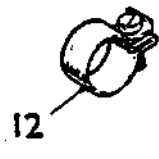
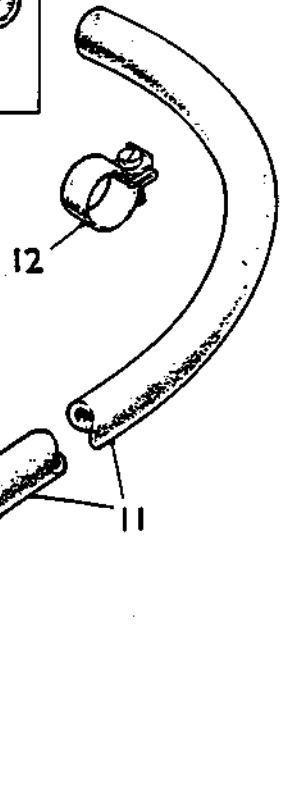
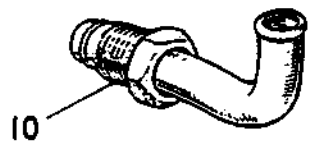
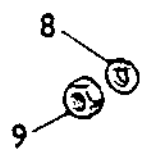
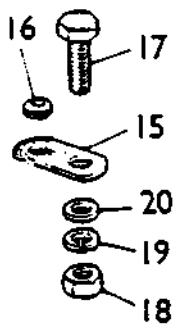
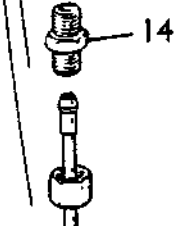
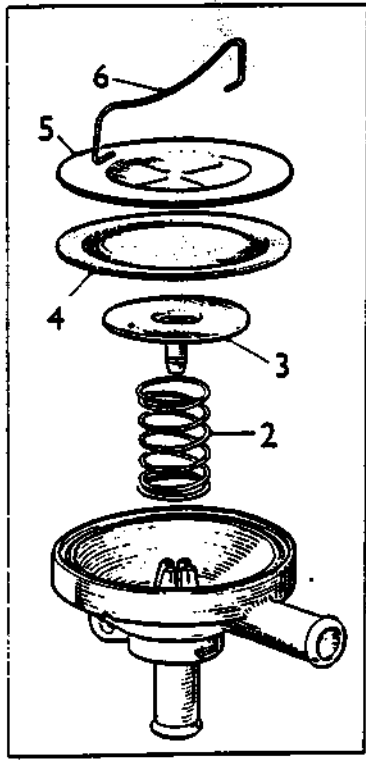
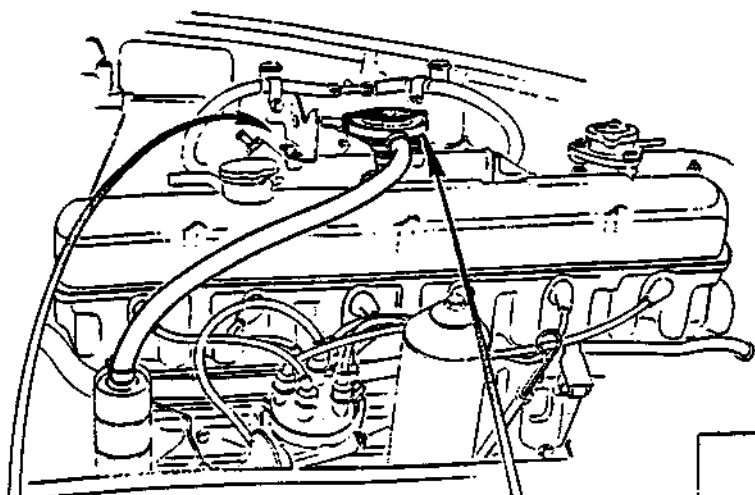
## ENGINE MOUNTINGS

1.	Bracket, fr engine mounting, RH.	AHC94.....1	N.L.A.
2.	Bracket, fr engine mounting, LH.	AHC95.....1	N.L.A.
3.	Screw, bracket to crankcase....	HZS0606...8	SH606061
4.	Washer, spring.....	LWZ306....8	N.L.A.
5.	Rubber, fr engine mounting.....	AHC91.....2	GHF334
6.	Washer, spring.....	LWZ307....4	GHF203
7.	Nut.....	FNZ107....4	AVAILABLE KA 2015 powder coated
8.	Restrictor, fr mounting, RH.....	AHC154....1	
9.	Restrictor, fr mounting, LH.....	AHC155....1	
10.	Screw, restrictor and mounting, front.....	HZS0508...4	GHF103
11.	Washer, spring.....	LWZ305....4	
12.	Screw, mounting, rear.....	HZS0506...4	SH605061
13.	Washer, spring.....	LWZ305....4	
14.	Nut.....	FNZ104....4	GHF200
15.	X-member, g/box mounting.....	HZA1448...1	N.L.A.
16.	Screw, X-member to body.....	HZS0609...4	SH606091
17.	Washer, plain.....	1B8806....4	N.L.A.
18.	Washer, spring.....	LWZ306....4	GHF333
19.	Mounting, engine, rear.....	AHC276....2	AHC800 G-CD1, G-CNI 101 to 3122
19.	Mounting, engine, rear.....	AHC800....2	G-CD1, G-CNI 3123
20.	Screw, mounting to gearbox.....	ZCS0505...4	SH605051
21.	Washer, spring.....	LWZ305....4	
22.	Washer, plain, mounting to X-member.....	PWZ105....2	GHF301
23.	Washer, spring.....	LWZ305....2	
24.	Nut.....	FNZ105....2	GHF201.



## ENGINE continued

1.	Manifold-inlet.....	12B1831...1	N.L.A.	}	29G
2.	Plug-welch.....	2K8159...2			
3.	Adaptor-breather tube.....	12H1405...1		}	29GA
4.	Washer-adaptor (fibre).....	2K7498...1	N.L.A.		
5.	Manifold-inlet.....	12B1541...1	N.L.A.	}	29G
6.	Adaptor-brake servo.....	21K8342...1			
7.	Manifold-exhaust FRONT.....	12B1829...1	N.L.A.	}	29GA
8.	Manifold-exhaust REAR.....	12B1830...1	N.L.A.		
9.	Manifold-exhaust FRONT.....	12B2496...1	N.L.A.	}	29G
10.	Manifold-exhaust REAR.....	12B2497...1	N.L.A.		
11.	Gasket-manifold to head.....	12B1545...1	GEG623		
12.	Stud-exhaust pipe.....	AEH194...6			
13.	Stud-manifold to head.....	FHS2614...15			
14.	Washer-plain.....	PWZ206...15			
15.	Nut.....	AEC350...15	GHF262		
16.	Connector-front hot spot.....	12B1833...1	N.L.A.	}	29G
17.	Connector-rear hot spot.....	12B1834...1	N.L.A.		
18.	Screw-hot spot-long.....	HCS510...4	BH505101	}	29GA
19.	Screw-hot spot-short.....	ZCS509...4	SH505091		
20.	Washer-plain.....	PWZ305...8		}	29G
21.	Washer-spring.....	LWZ305...8			
22.	Gasket-hot spot.....	12B1578...2	AVAILABLE KA	}	29GA
23.	Stud.....	CHS2510...4	AVAILABLE		
24.	Washer-spring.....	LWZ305...4		}	29G
25.	Nut.....	FNN105...4	GHF201		
26.	Heatshield.....	12B2317...1		}	29GA
27.	Plate-spring anchor.....	12B1948...1	N.L.A.		
28.	Heatshield.....	12B2498...1	*	}	* 12B2498 NA specification heat shield differs from UK and EU unit 12B2317 KA offers replacements in polished stainless to reflect heat
29.	Plate-spring anchor.....	12B2494...1	N.L.A.		
30.	Bracket-heatshield.....	12B2508...1	N.L.A.	}	The forward piece diverter is also available
31.	Screw-shield to manifold.....	ZCS405...6	SH504051		
32.	Washer-plain.....	PWZ404...6	GHF300		
33.	Washer-spring.....	LWZ204...6	GHF117		
34.	Bolt-plate and bracket- to heatshield.....	HZS406...6	GHF117		
35.	Washer-plain.....	PWZ204...1			
36.	Washer-spring.....	LWZ404...1	GHF321		
37.	Spring-carburettor to shield..	ACH70...2			



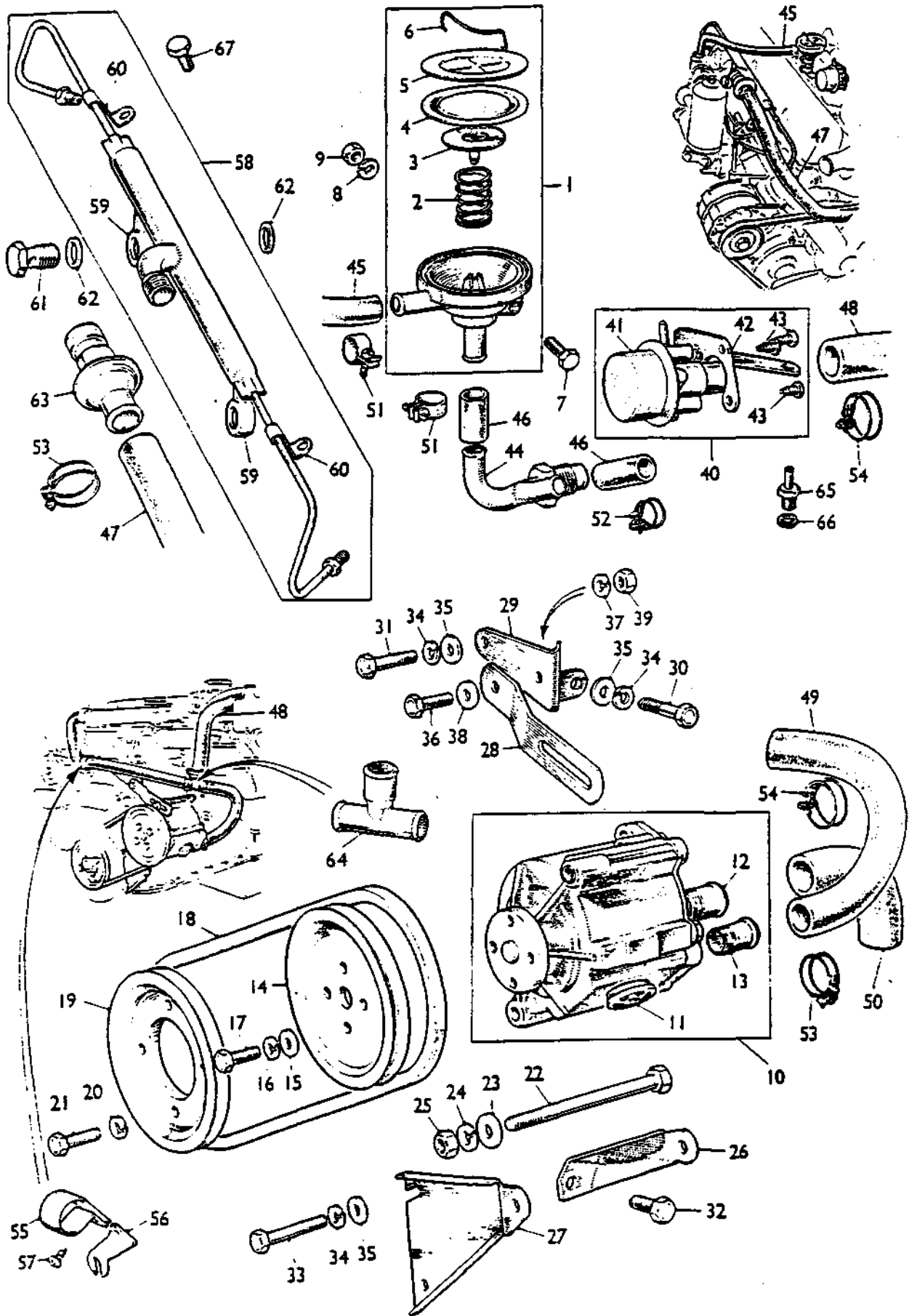
## ENGINE continued

## POSITIVE CRANKCASE VENTILATION

1.	Valve assy-emission control...	13H4532...1	N.L.A.
2.	Spring -top.....	37H2170...1	N.L.A.
3.	Plunger.....	37H2171...1	N.L.A.
4.	Diaphragm.....	27H7758...1	
5.	Plate-valve cover.....	27H7759...1	N.L.A.
6.	Clip-spring.....	27H7760...1	
7.	Bolt-valve to bracket.....	HZS406...1	GHF117
8.	Washer-spring.....	LWZ304...1	GHF300
9.	Nut.....	FNZ104...1	GHF200
10.	Tube-breather.....	12B2430...1	N.L.A.
11.	Hose-breather- valve to separator.....	12B1232...1	BAU5065M
12.	Clip-breather hose.....	HCS507...4	GHC507
13.	Pipe-drain.....	AEC449...2	N.L.A.
14.	Union-drain pipe.....	AEC450...2	N.L.A.
15.	Clip.....	1A2104...2	N.L.A.
16.	Ferrule.....	2H4935...2	N.L.A.
17.	Bolt.....	HNS408...2	GHF101
18.	Nut.....	FNZ104...2	GHF200
19.	Washer-spring.....	LWZ204...2	GHF331
20.	Washer-plain.....	PWZ104...2	GHF300



(26)



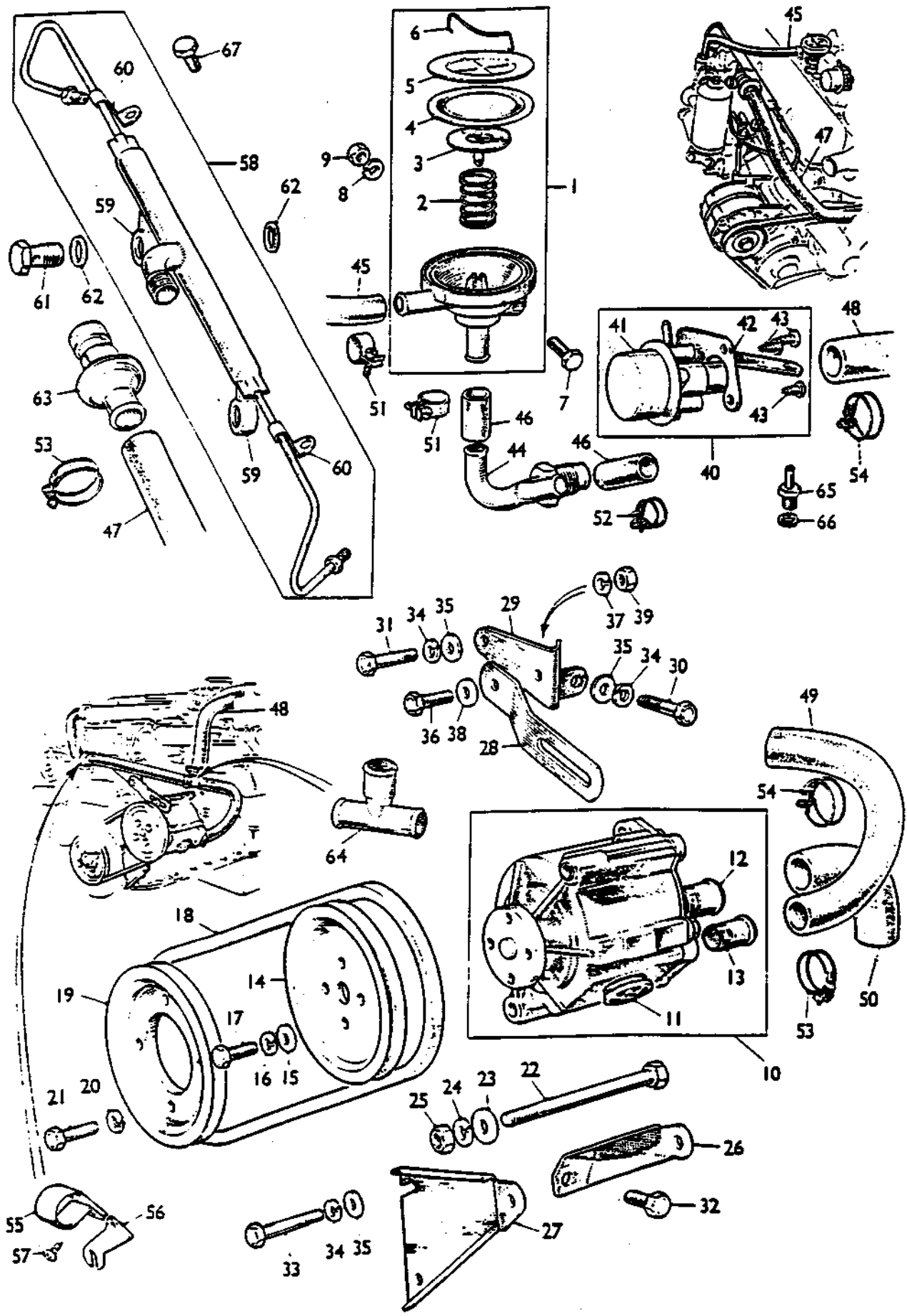
## ENGINE continued

27

## EXHAUST EMISSION CONTROL

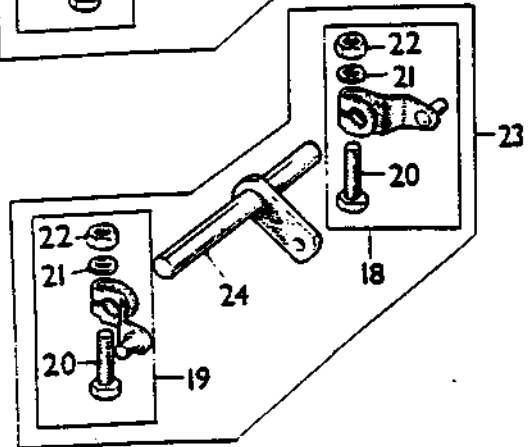
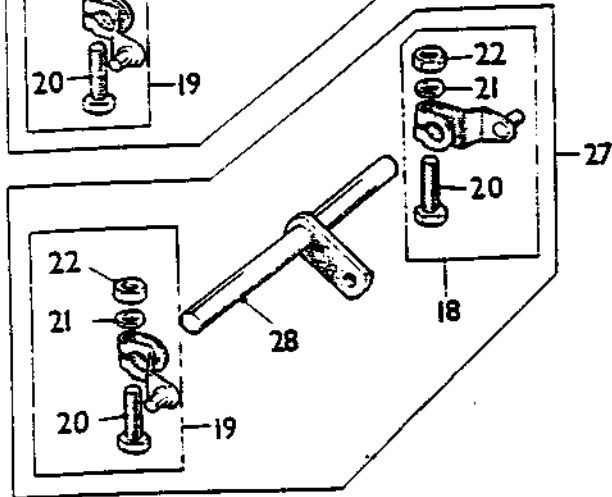
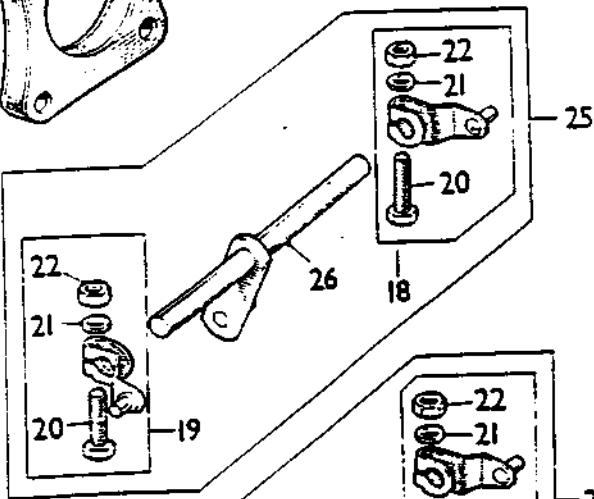
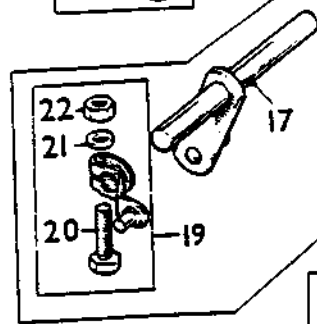
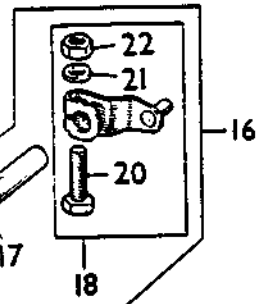
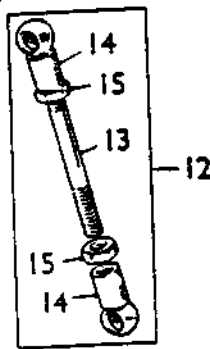
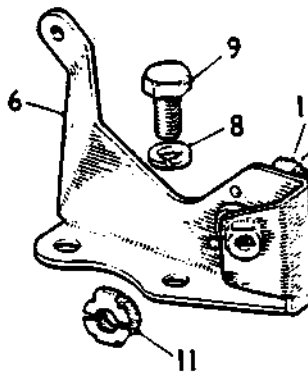
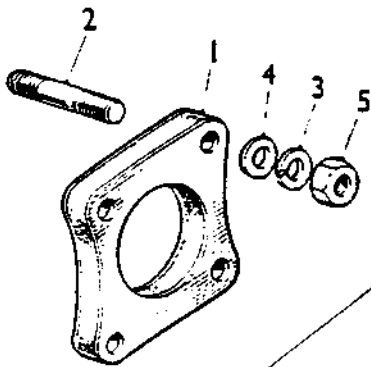
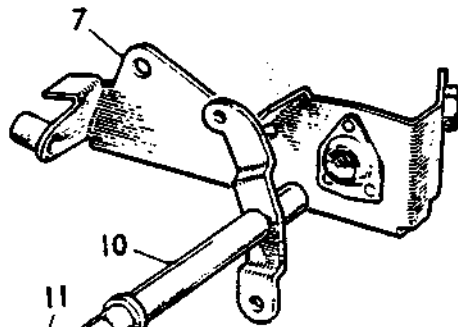
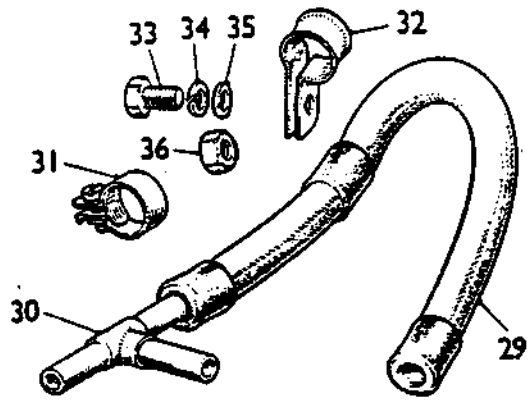
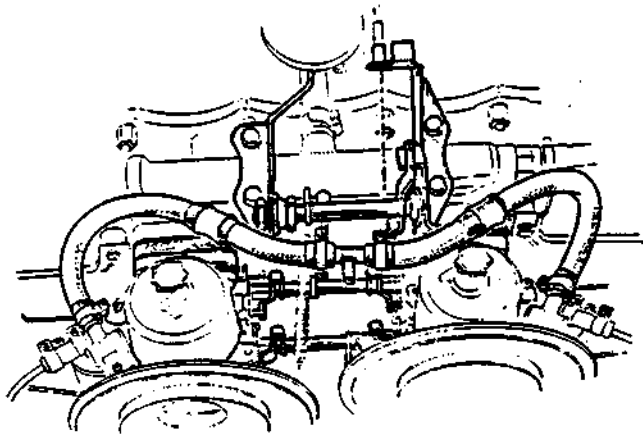
1.	Valve assy-emission cntrol....	13H4532...1	N.L.A.	
2.	Spring-top.....	37H2170...1	N.L.A.	
3.	Plunger.....	37H2171...1	N.L.A.	
4.	Diaphragm.....	27H7758...1		
5.	Plate-valve cover.....	27H7759...1	N.L.A.	
6.	Clip-spring.....	27H7760...1		
7.	Bolt-valve to bracket.....	HZS406...1	GHF117	
8.	Washer-spring.....	LWZ304...1	GHF300	
9.	Nut.....	FNZ104...1	GHF200	
10.	Pump assy-air (less pulley)...	13H4506...1	N.L.A.	] U.S.A ONLY
11.	Valve-pressure relief.....	37H2302...1	N.L.A.	
12.	Tube-intake.....	37H2301...1	N.L.A.	
13.	Tube-exhaust.....	37H2303...1	N.L.A.	
14.	Pulley-air pump.....	12B2423...1		
15.	Washer-plain.....	PWZ205...4		
16.	Washer-spring.....	LWZ305...4		
17.	Screw-pulley to pump.....	HZS506...4	SH605051	
18.	Belt-air pump driving.....	13H924...1	GCB10914	N.L.A.
19.	Pulley-air pump driving.....	12B2400...1		
20.	Washer-spring.....	LWZ305...4		
21.	Screw-driving pulley-			
	to crankshaft.....	HZS507...4	SH605071	
22.	Bolt-pump to mounting bracket..	HBZ638...2	BH606381	
23.	Washer-plain.....	PWZ206...2		
24.	Washer-spring.....	LWZ306...2	GHF333	
25.	Nut.....	FNZ506...2		
26.	Bracket-			
	air-pump mounting rear.....	12B2419...1	N.L.A.	
27.	Bracket-			
	air-pump mounting front.....	12N2420...1	N.L.A.	
28.	Link-adjusting.....	12B2422...1	N.L.A.	
29.	Bracket-adjusting link.....	12B2421...1		
30.	Screw-link to water manifold..	HBZ511...1	BH605111	
31.	Screw-link & water pump-			
	to block.....	HBZ514...1	BH605141	
32.	Screw-rear bracket to block...	HZS606...2	SH606061	
33.	Bolt-front bracket -			
	to front cover.....	HBZ518...2	BH605181	
34.	Washer-spring.....	LWZ305...4		
35.	Washer-plain.....	PWZ205...4		
36.	Screw-link to bracket.....	HZS507...1	SH605071	
37.	Washer-spring.....	LWZ305...1		
38.	Washer-plain.....	PWZ205...1		
39.	Nut.....	FNZ505...1		
40.	Valve assembly-gulp.....	12B2545...1	N.L.A.	] U.S.A ONLY
41.	Valve-gulp.....	13H4496...1	N.L.A.	
42.	Bracket-gulp valve.....	12B2546...1	N.L.A.	
43.	Screw-self tapping.....	PTZ1204...3	N.L.A.	
44.	Tube-breather & gulp valve....	12B2547...1	N.L.A.	
45.	Hose-control valve-			
	to separator.....	12B1232...1	BAU5065M	
46.	Hose-breather tube to valves..	12B2307...2	N.L.A.	
47.	Hose-check valve to T piece...	12B2414...1	N.L.A.	
48.	Hose-gulp valve to T piece....	12B2543...1	N.L.A.	
49.	Hose-T piece to air pump.....	12B2416...1	N.L.A.	
50.	Hose-air pump to air cleaner..	12B2456...1	N.L.A.	
51.	Clip.....	HCS507...4	GHC507	
52.	Clip.....	HCS112...2	GHC709	

28



53.	Clip.....	HCS118....	4	GHC811
54.	Clip.....	HCS120....	4	GHC811
55.	Clip.....	12B2519...	1	N.L.A.
56.	Bracket-air pump hose clip....	12B2520...	1	N.L.A.
57.	Screw-self tapping.....	PTZ1003...	1	N.L.A.
58.	Manifold assembly-air.....	12B2386...	1	N.L.A.
59.	Banjo.....	1G1599....	2	N.L.A.
60.	Clip.....	12B2389...	2	N.L.A.
61.	Bolt-banjo.....	21D254....	2	N.L.A.
62.	Washer-banjo bolt.....	6K433....	4	
63.	Valve-check.....	13H4509...	1	N.L.A.
64.	T piece.....	12B2418...	1	N.L.A.
65.	Adaptor-control pipe- to manifold.....	12H2461...	1	
66.	Washer (fibre).....	AMK4189...	1	N.L.A.
67.	Screw-bracket to manifold.....	ZCS506....	2	SH505061

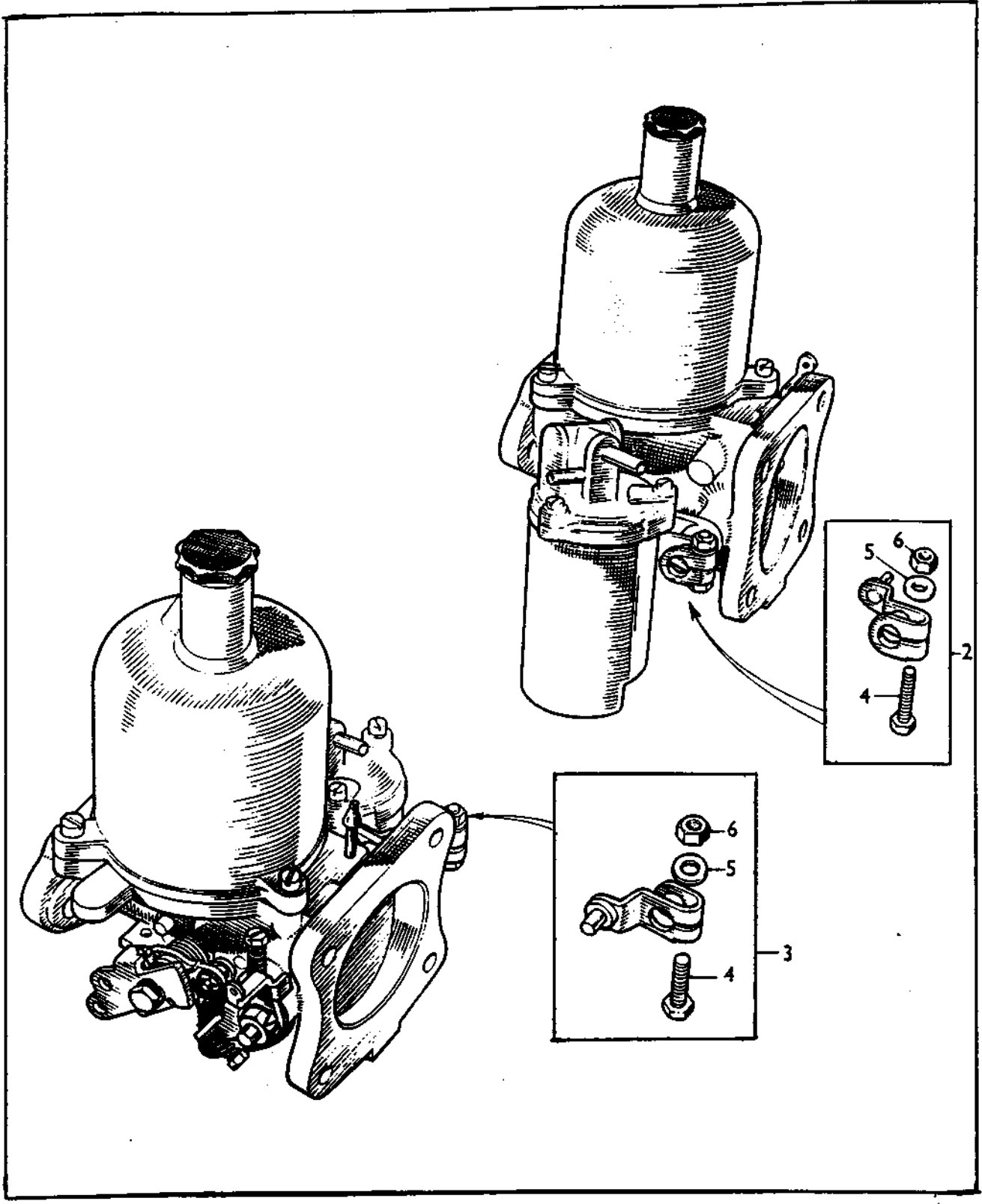
30



## CARBURETTER FIXINGS-ABUTMENTS-PROGRESSIVE LINKAGE

1.	Piece-distance.....	12B561....	2.		
2.	Stud-carburetter to manifold..	CHS2516...	8	N.L.A.	
3.	Washer-spring.....	LWZ305....	8		
4.	Washer-plain.....	PWZ205....	8		
5.	Nut.....	FNZ105....	8	GHF201	
6.	Bracket-front throttle relay shaft.....	12B1235...	1	N.L.A.	
7.	Bracket-rear throttle relay shaft.....	12B1238...	1	N.L.A.	
8.	Washer-spring.....	LWZ305....	4		
9.	Screw-bracket to manifold....	ZCS0505...	4	SH505051	
10.	Shaft-relay.....	12B1239...	1	N.L.A.	
11.	Clip-shaft retaining.....	AEH791....	2	N.L.A.	
12.	<b>Linkage assembly-carburetters to shaft.....</b>	12B1243...	1	N.L.A.	
13.	Rod-control.....	12B1244...	1	N.L.A.	
14.	Socket-ball joint.....	AHB9898...	2	N.L.A.	
15.	Nut.....	FNZ103....	2	GHF206	
16.	<b>Lever assembly-throttle connecting rod.....</b>	12B1257...	1	N.L.A.	
17.	Rod connecting.....	12B1954...	1	N.L.A.	
18.	<b>Lever assembly front with pin..</b>	AUE86....	1	AUE586	
19.	<b>Lever assembly rear with pin..</b>	AUE87....	1	AUE587	
20.	Bolt lever.....	AJD1042...	2	AUC2694	
21.	Waser-plain.....	AUC8396...	2		
22.	Nut.....	AJD8012Z..	2		
23.	<b>Lever assembly-choke.....</b>	12B1960...	1	N.L.A.	29G
24.	Rod-connecting[with lever]....	12B1958...	1	N.L.A.	
18.	<b>Lever assembly-front with pin..</b>	AUE86....	1	AUE586	
19.	<b>Lever assembly-rear with pin..</b>	AUE87....	1	AUE587	
20.	Bolt-lever.....	AJD1042...	2	AUC2694	
21.	Waser-plain.....	AUC8396...	2		
22.	Nut.....	AJD8012Z..	2		
25.	<b>Lever assembly-throttle.....</b>	12B2501...	1	N.L.A.	
26.	Rod connecting.....	12B2499...	1	N.L.A.	
18.	<b>Lever assembly-front with pin..</b>	AUE86....	1	AUE586	
19.	<b>Lever assembly-rear with pin..</b>	AUE87....	1	AUE587	
20.	Bolt-lever.....	AJD1042...	2	AUC2694	
21.	Waser-plain.....	AUC8396...	2		
22.	Nut.....	AJD8012Z..	2		29GA
27.	<b>Lever assembly-choke connecting rod.....</b>	12B2503...	1	N.L.A.	
28.	Rod-connecting[with choke lever].....	12B2502...	1	N.L.A.	
18.	<b>Lever assembly front with pin..</b>	AUE86....	1	AUE586	
19.	<b>Lever assembly rear with pin..</b>	AUE87....	1	AUE587	
20.	Bolt-lever.....	AJD1042...	2	AUC2694	
21.	Washer-plain.....	AUC8396...	2		
22.	Nut.....	AJD8012Z..	2		
29.	Pipe-petrol[flexible.....	12B1245...	2	GGT106	
30.	Piece-tee.....	12B1896...	1	N.L.A.	
31.	Clip.....	AHC189....	4		
32.	Support-petrol pipe.....	PCR1009...	2		
33.	Screw.....	HZS0405...	2	SH604051	
34.	Washer-spring.....	LWZ204....	2	GHF331	
35.	Washer-plain.....	PWZ104....	2	GHF300	
36.	Nut.....	FNZ104....	2	GHF200	

32

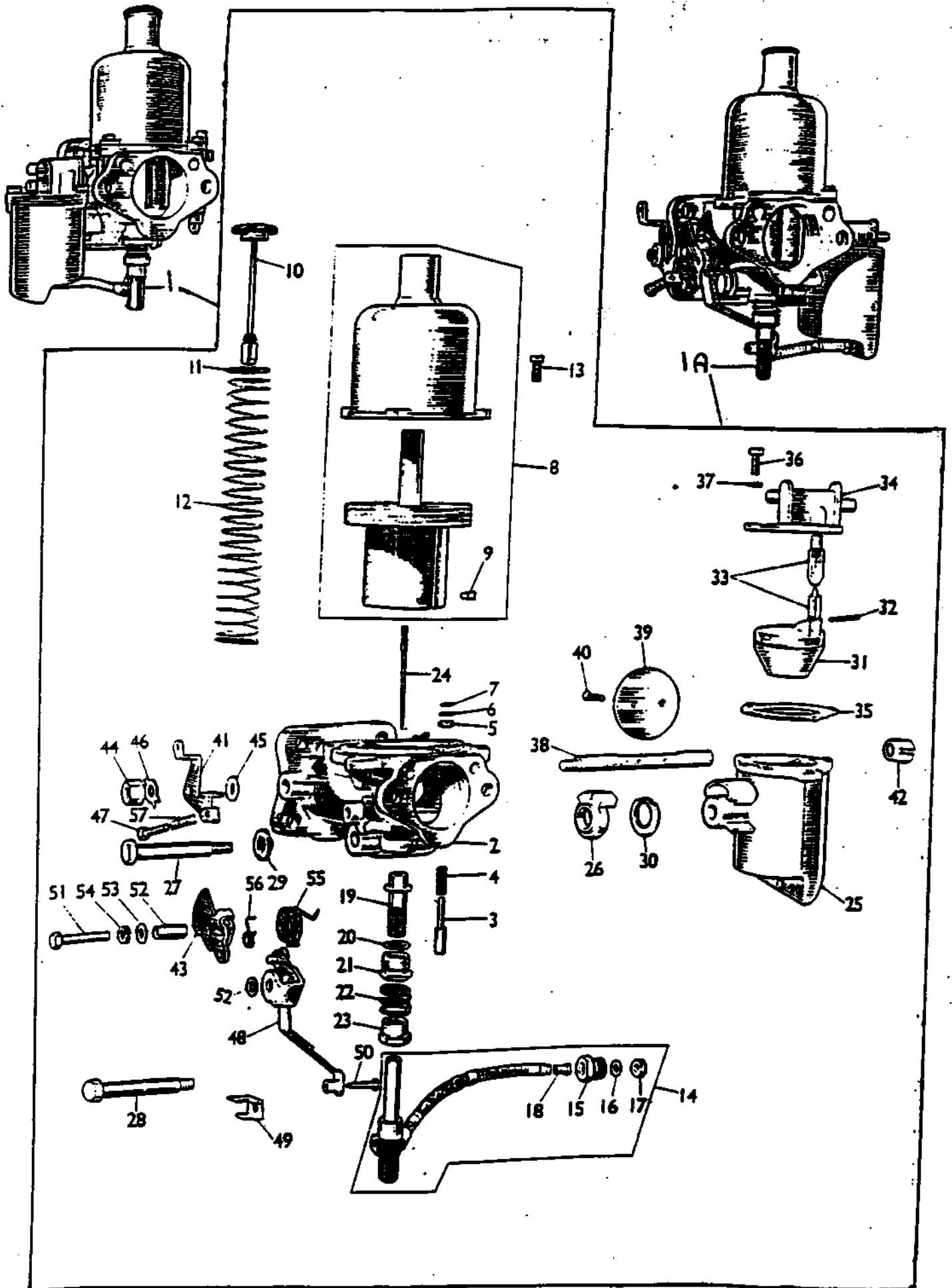


**CARBURETTER  
(U.K)**

1.	Carburetter assy (PAIR).....AUD150.....1	AUD150E	UP TO 1969
	Carburetter assy (PAIR).....AUD341.....1	AUD341E	1969 ONWARDS
2.	Lever & pin assy-front.....AUE86.....2	AUE586	
3.	Lever & pin assy-rear.....AUE87.....2	AUE587	
4.	Bolt-lever.....AJD1042...4		
5.	Washer-plain.....AUC8396...4		
6.	Nut-bolt.....AJD8012Z..4		



34



**CARBURETTER  
(U.K)**

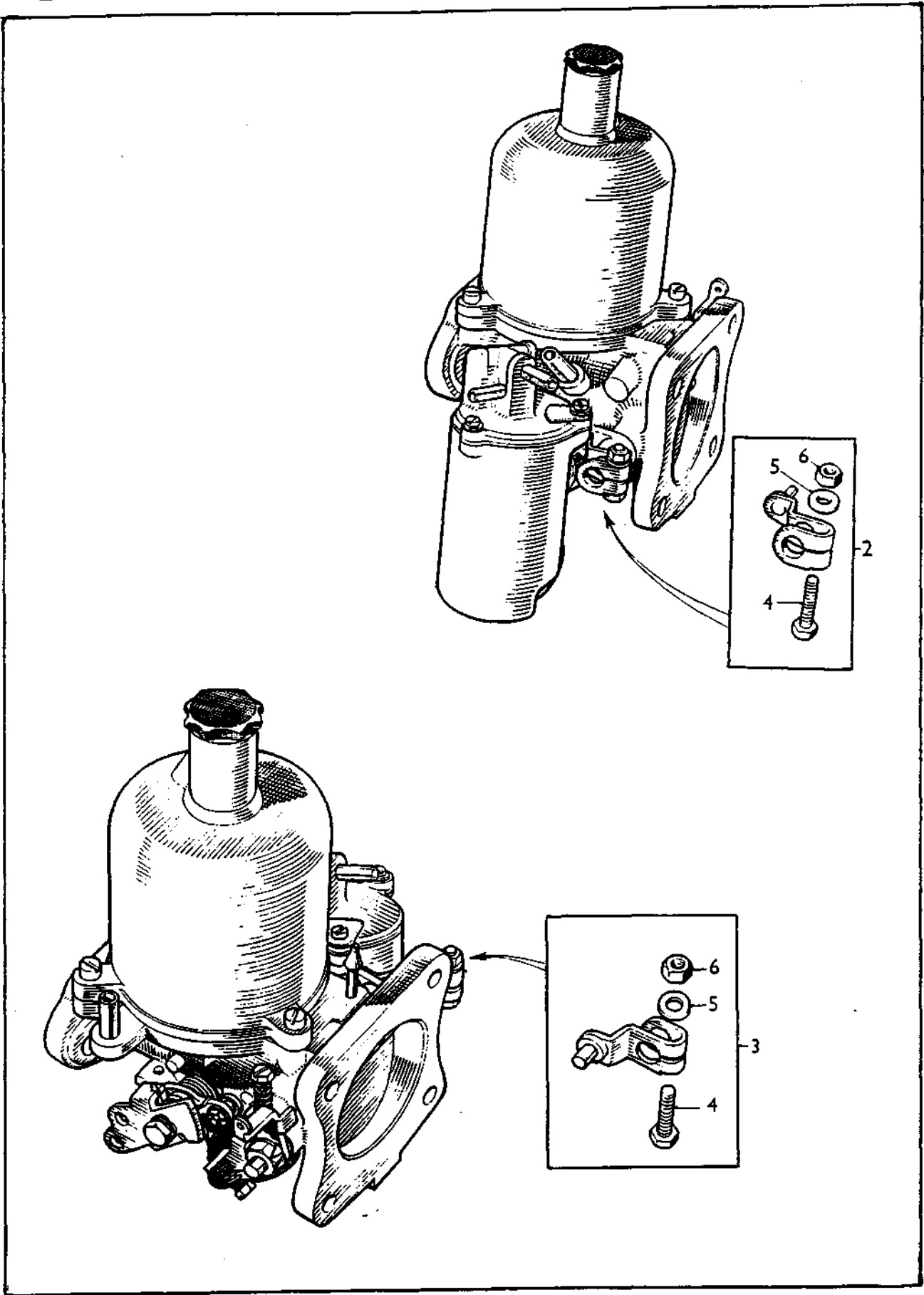
1.	Carburetter assy-front.....	AUD9288...1	N.L.A
1A.	Carburetter assy-rear.....	AUD9289...1	N.L.A
2.	Body-front.....	AUD9546...1	N.L.A
	Body-rear.....	AUD9544...1	N.L.A
3.	Pin-piston lifting.....	AUC1249...2	WZX1112
4.	Spring-pin.....	AUC1151...2	
5.	Washer (neoprene).....	AUC4943...2	WZX1112
6.	Washer (brass).....	AUC4944...2	WZX1112
7.	Circlip-pin.....	AUC1250...2	
8.	Chamber and piston assembly...	AUD9187...2	
9.	Screw-needle locking.....	AUC2057...2	
10.	Cap and damper assembly.....	AUC8103...2	AUC8103A
11.	Washer (fibre).....	AUC4900...2	AUC4900A
12.	Spring-piston-yellow.....	AUC1167...2	
13.	Screw-chamber to body.....	AUC2175...6	JZX1394
14.	Jet assembly-front.....	AUD9105...1	AUD9105A
	Jet assembly-rear.....	AUD9106...1	
15.	Nut.....	AUD2129...2	
16.	Washer.....	AUD2193...2	
17.	Gland.....	AUD2194...2	
18.	Ferrule.....	AUD2195...2	
19.	Bearing-jet.....	AUC8460...2	
20.	Washer-bearing (brass).....	AUC8478...2	
21.	Screw-jet locking.....	AUC2002...2	
22.	Spring-jet locking.....	AUC2114...2	
23.	Screw-jet locking.....	AUC8461...2	
24.	Needle-jet		
	Rich (SQ).....	AUD1332...2	
	Standard (ST).....	AUD1335...2	
	Weak (CIW).....	AUD1117...2	
25.	Chamber-float.....	AUD2140...2	
26.	Adaptor-front.....	AUD2179...1	
	Adaptor-rear.....	AUD2178...1	
27.	Bolt-float chamber to body....	AUC1319...2	AUD3017
28.	Bolt-float chamber to body....	AUD3017...2	ALTERNATIVE
29.	Washer (rubber).....	AUC1318...2	
30.	Washer-support.....	AUC1329...2	
31.	Float.....	AUD9904...2	WZX1300
32.	Pin-hinge.....	AUC1152...2	
33.	Needle and seat.....	AUD9096...2	WZX1101A
34.	Lid-float chamber-front.....	AUD9479...1	
	Lid-float chamber-rear.....	AUD9651...1	
35.	Gasket-lid.....	AUC8459...2	AUC8459A
36.	Screw-lid.....	AUC2175...6	JZX1394
37.	Washer-spring.....	LWZ303...6	WL700101
38.	Spindle-throttle.....	AUC8494...2	WZX1178



**CARBURETTER  
(U.K.) continued**

39.	Disc-throttle.....	AUC3280...2	WZX1321
40.	Screw-throttle disc.....	AUC1358...4	
41.	Lever-throttle return-front....	AUD2788...1	
	Lever-throttle return-rear....	AUD2787...1	
42.	Lever-lost motion.....	AUC1400...2	JZX1328
43.	Lever-cam-front.....	AUD2163...1	
	Lever-cam-rear.....	AUD2164...1	
44.	Nut.....	AUC1424...2	
45.	Washer (brass).....	AUC2625...2	
46.	Washer-tab.....	AUC1206...2	
47.	Screw-throttle stop.....	AUC8483...4	
48.	Lever and link-pick up-front..	AUD9653...1	N.L.A
	Lever and link-pick-up-rear...	AUD9654...1	N.L.A
49.	Bracket-jet link-front.....	AUD2427...1	
	Bracket-jet link-rear.....	AUD2428...1	
50.	Screw-link to jet.....	PJZ604...2	N.L.A
51.	Bolt-pivot.....	AUC1426...2	
52.	Tube-bolt.....	AUC8473...2	
53.	Washer-plain.....	AUC5032...2	
54.	Washer-plain.....	AUC2433...2	
55.	Spring-pick up lever-front....	AUC8462...1	
	Spring-pick up lever-rear....	AUC1375...1	
56.	Spring-cam lever-front.....	AUD2049...1	N.L.A
	Spring-cam lever-rear.....	AUD2050...1	N.L.A
57.	Spring-throttle stop screw....	AUC2451...2	

38



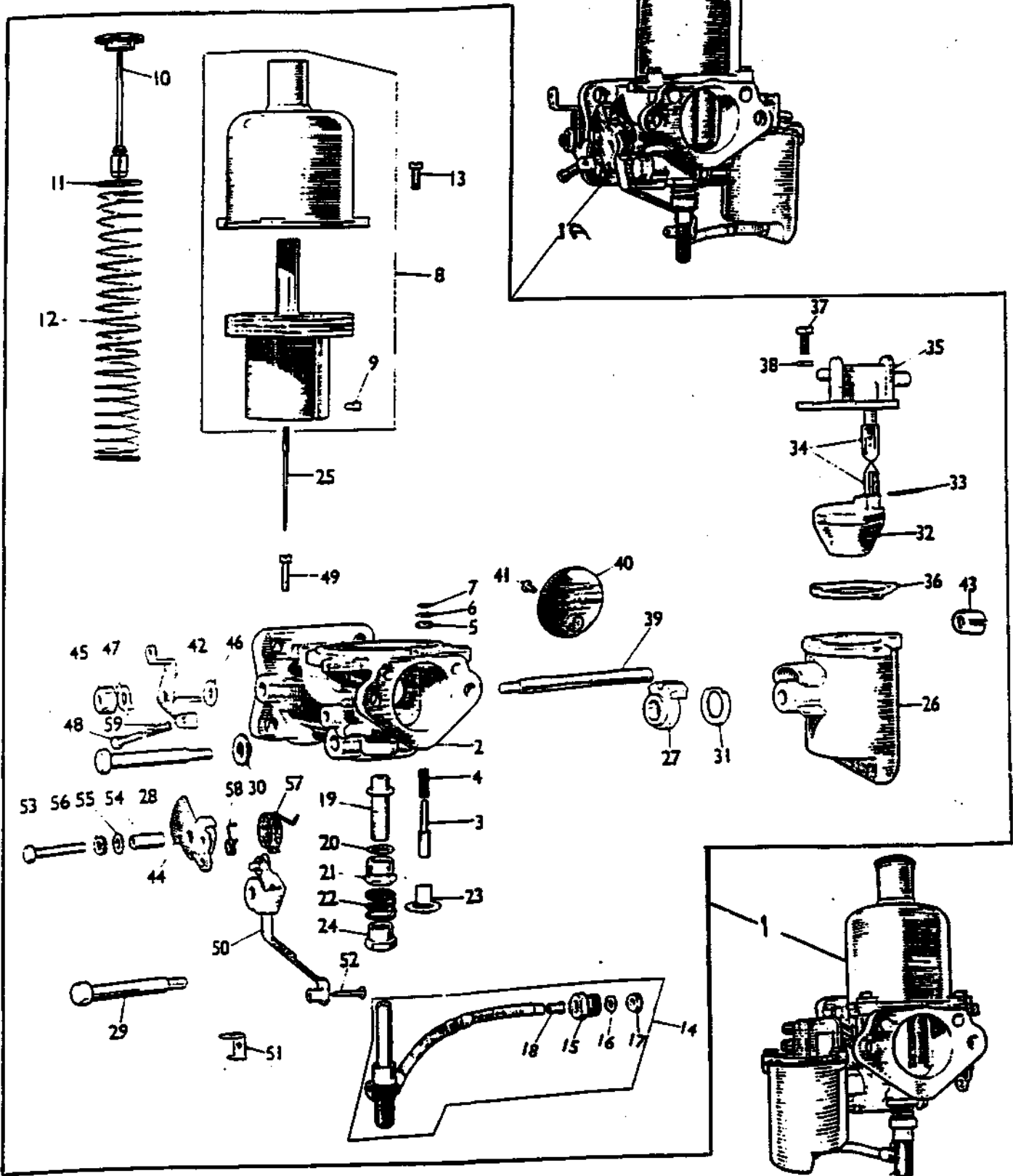
TYPE HS6

(39)

**CABURETTER  
(U.S.A)**

1.	Carburetter assembly (PAIR)...	AUD287....1	AUD287E	UP TO 1969
	Carburetter assembly (PAIR)...	AUD342....1	AUD342E	1969 ONWARDS
2.	Lever and pin assy-front.....	AUD86.....2	AUD586	
3.	Lever and pin assy-rear.....	AUD87.....2	AUD587	
4.	Bolt-lever.....	AJD1042...4	AUC2694	
5.	Washer-plain.....	AUC8396...4		
6.	Nut-bolt.....	AJD8012Z..4		

40



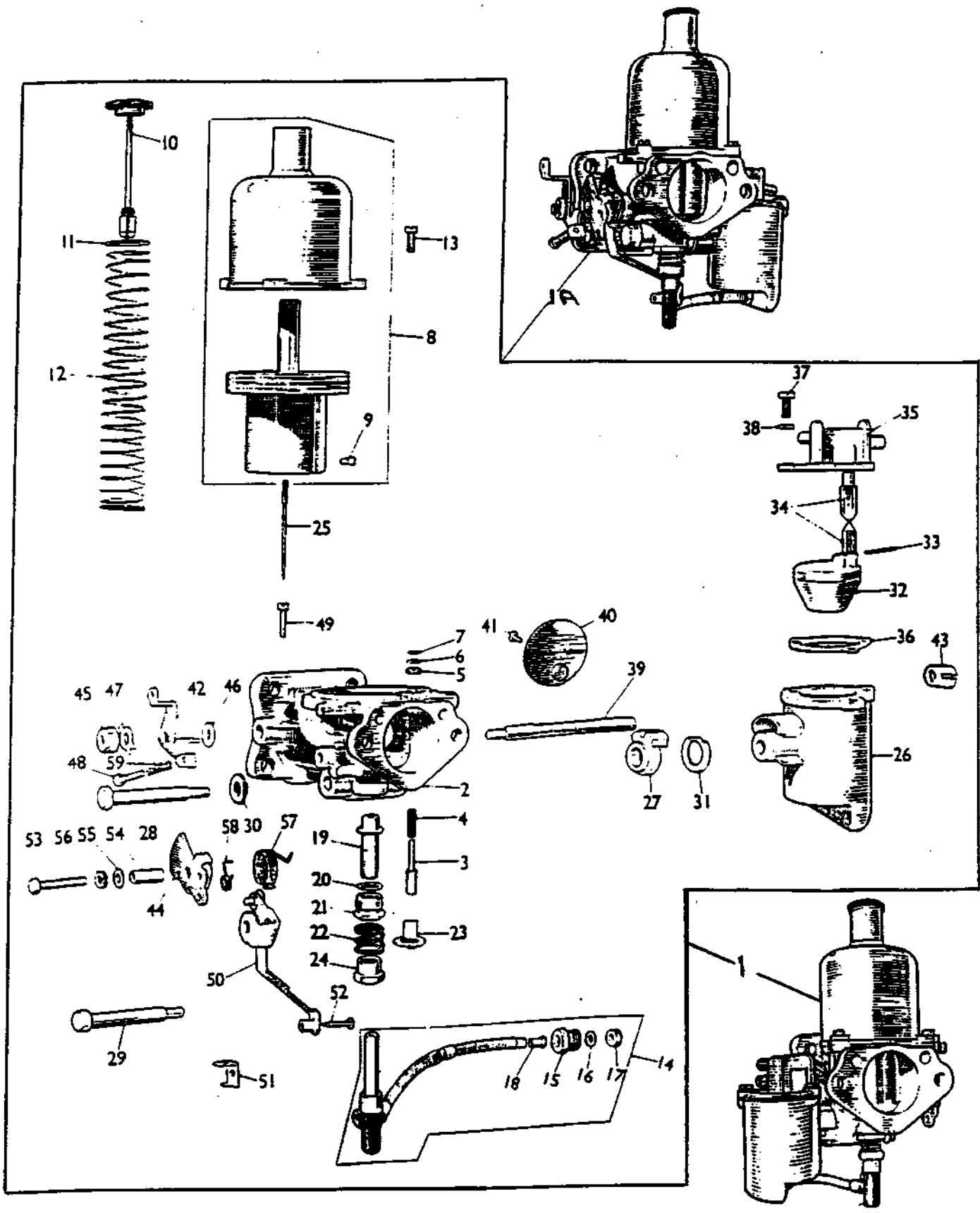
TYPE HS6



**CARBURETTER  
(U.S.A)**

1.	Carburetter assy-front.....	AUC9474...1	N.L.A	
1A.	Carburetter assy-rear.....	AUC9475...1	N.L.A	
2.	Body-fornt.....	AUC9948...1	N.L.A	
	Body-rear.....	AUC9949...1	N.L.A	
3.	Pin-piston lifting.....	AUC1249...2	WZX1112	
4.	Spring-pin.....	AUC1151...2		
5.	Washer (neoprene).....	AUC4943...2	WZX1112	
6.	Washer (brass).....	AUC4944...2	WZX1112	
7.	Circlip-pin.....	AUC1250...2		
8.	Chamber and piston assembly...	AUC9834...2	N.L.A	
9.	Screw-needle locking.....	AUC2057...2		
10.	Cap and damper assembly.....	AUC8103...2	AUC8103A	
11.	Washer (fibre).....	AUC4900...2	AUC4900A	
12.	Spring-piston-yellow.....	AUC1167...2		
13.	Screw-chamber to body.....	AUC2175...3	JZX1394	
14.	Jet assembly-front.....	AUD9872...1	AUC9105A	
	Jet assembly-rear.....	AUD9873...1	AUC9106	
15.	Nut.....	AUD2179...2		
16.	Washer.....	AUD2193...2		
17.	Gland.....	AUD2194...2		
18.	Ferrule.....	AUD2195...2		
19.	Bearing-jet.....	AUD3101...2	WZX1442	
20.	Washer-jet centering.....	AUD2987...2	WZX1442	
21.	Screw-jet locking.....	AUC2002...2		
22.	Spring-jet locking.....	AUC2114...2		
23.	Tab-locking.....	AUD3235...2	WZX1442	
24.	Screw-jet adjusting.....	AUD3193...2	WZX1442	
25.	Needle-jet			
	Standard (KM).....	AUD1537...2	N.L.A	AUD287E SPEC
	Standard (BAD).....	CUD1103...2		AUD342E SPEC
26.	Chamber-float.....	AUD2140...2		
27.	Adaptor-front.....	AUD2179...1		
	Adaptor-rear.....	AUD2178...1		
28.	Bolt-float chamber to body...	AUC1319...2	AUD3017	] ALTERNATIVE
29.	Bolt-float chamber to body...	AUD3017...2		
30.	Washer (rubber).....	AUC1318...2		
31.	Washer-support.....	AUC1329...2		
32.	Float.....	AUD9904...2	WZX1300	
33.	Pin-hinge.....	AUC1152...2		
34.	Needle and seat.....	AUD9096...2	WZX1101A	
35.	Lid-float chamber-front.....	AUD9479...1		
	Lid-float chamber-rear.....	AUD9651...1		
36.	Gasket-lid.....	AUC8459...2	AUC8459A	
37.	Screw-lid.....	AUC2175...6	JZX1394	
38.	Washer-spring.....	LWZ303...6	WL700101	
39.	Spindle throttle.....	AUC8494...2	WZX1178	
40.	Disc and valve-throttle.....	AUD9809...2		





TYPE HS6

(43)

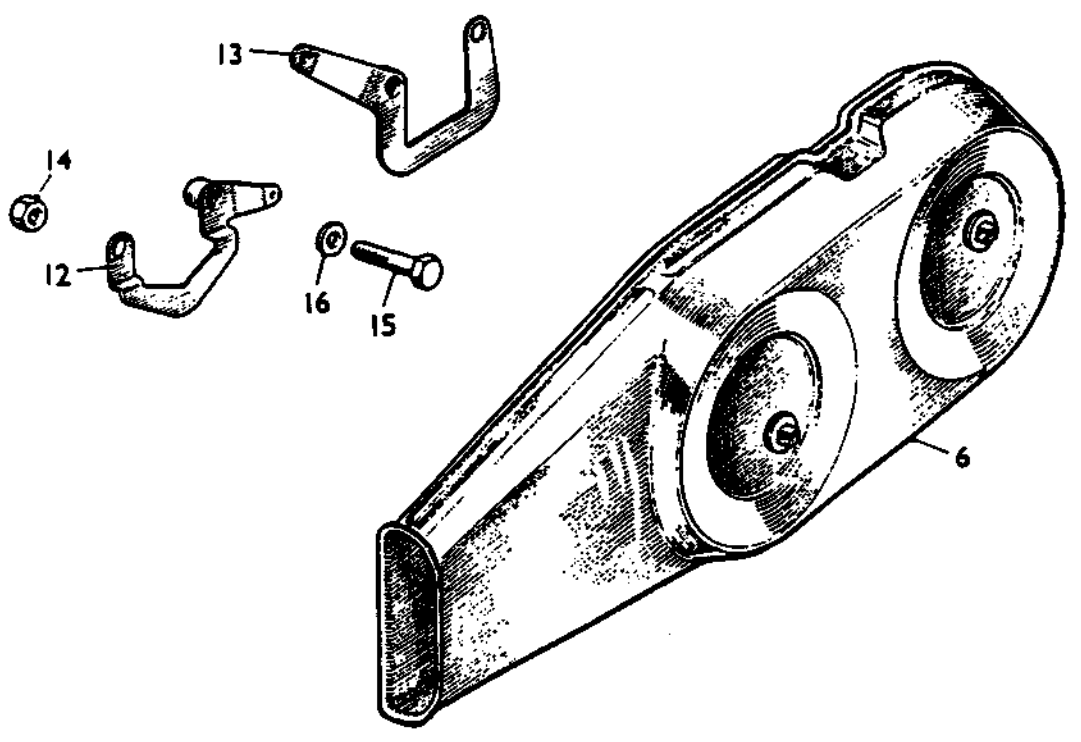
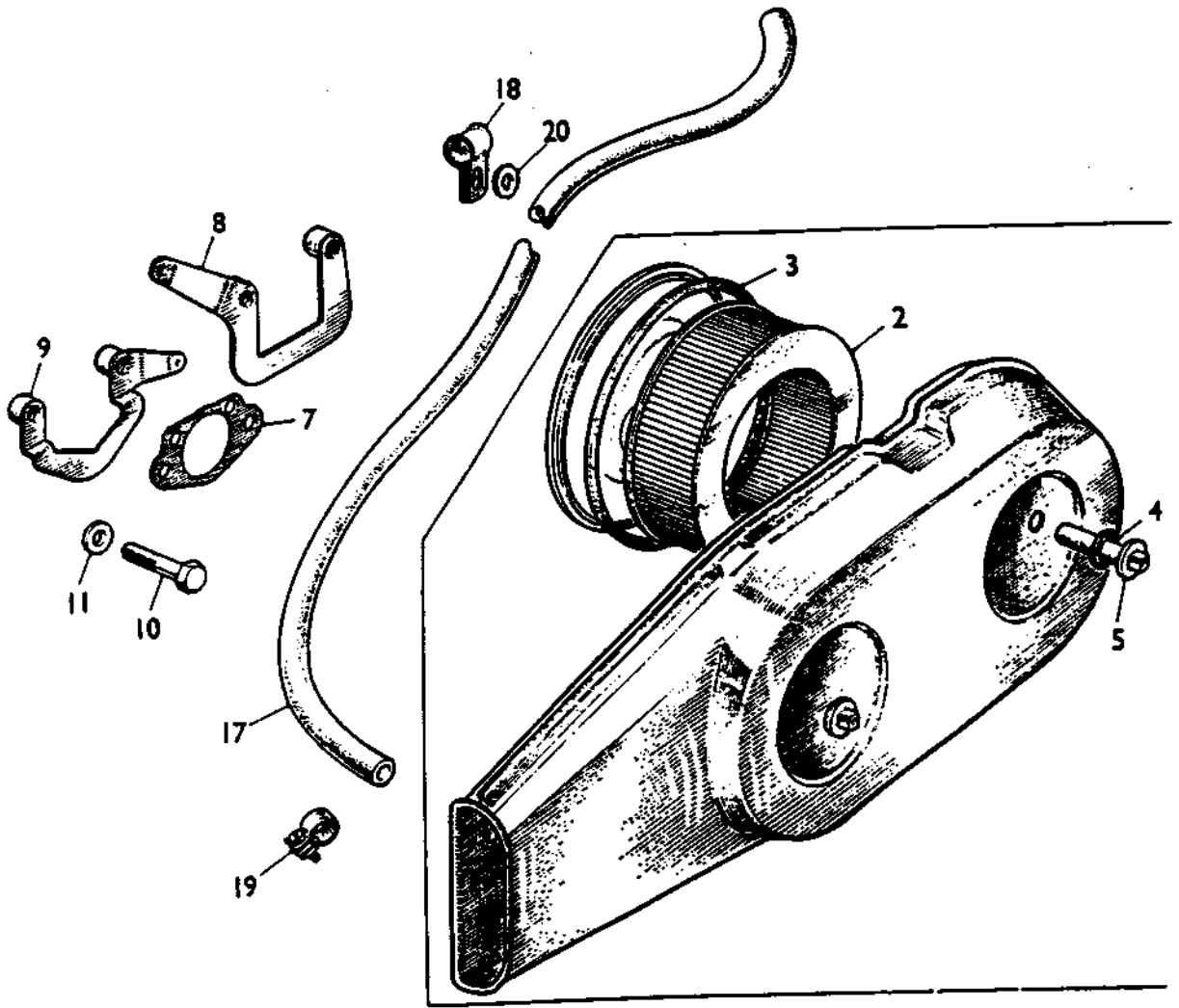
**CARBURETTOR  
(U.S.A)**

41.	Screw-disc.....	AUC1358...4	
42.	Lever-throttle return-front...	AUD2788...1	
	Lever-throttle return-rear....	AUD2787...1	
43.	Lever-lost motion.....	AUC1400...2	JZX1328
44.	Lever-cam-front.....	AUD2163...1	
	Lever-cam-rear.....	AUD2164...1	
45.	Nut-bearing.....	AUC1424...2	
46.	Washer (brass).....	AUC2625...2	
47.	Washer-tab.....	AUC1206...2	
48.	Screw-fast idle.....	AUC8483...2	
49.	Screw-throttle stop.....	AUD3010...2	N.L.A
50.	Lever & link-pick up-front....	AUD9653...1	N.L.A
	Lever & link-pick up-rear....	AUD9654...1	N.L.A
51.	Bracket-jet link-front.....	AUD2427...1	N.L.A
	Bracket-jet link-rear.....	AUD2428...1	
52.	Screw-link to jet.....	PJZ604...2	N.L.A
53.	Bolt-pivot.....	AUC1426...2	
54.	Tube-bolt.....	AUC8473...2	
55.	Washer-plain.....	AUC5032...2	
56.	Washer-plain.....	AUD2433...2	
57.	Spring-pick up lever-front....	AUC8462...1	
	Spring-pick up lever-rear....	AUC1375...1	
58.	Spring-cam lever-front.....	AUD2049...1	
	Spring-cam lever-rear.....	AUD2050...1	
59.	Spring-fast idle screw.....	AUC2451...2	

CRK 253 Repair Kit

1 x per car.

(44)



45

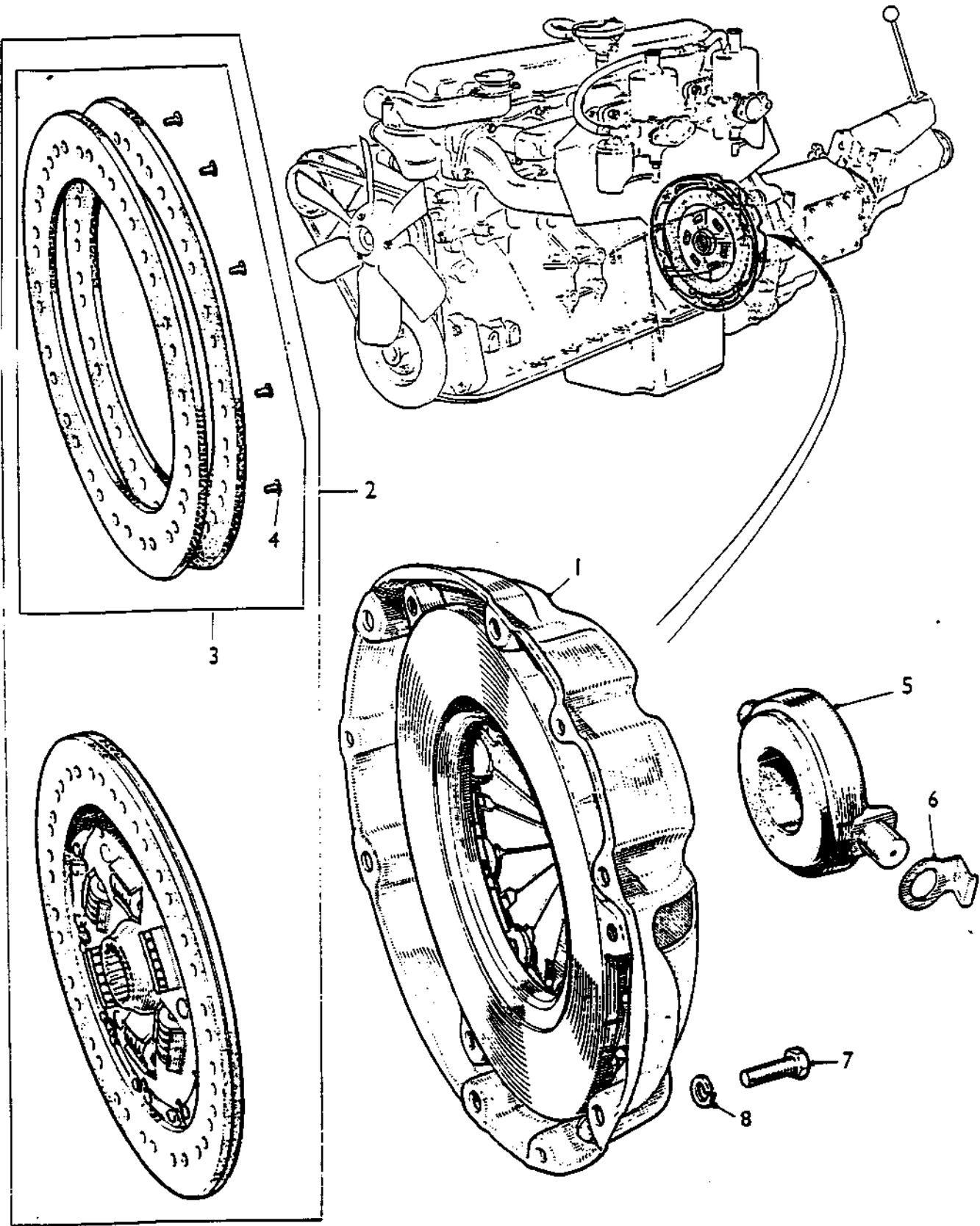
**AIR CLEANER**

1.	Cleaner assembly-air.....	AHC69.....	1	N.L.A.	] EXCEPT U.S.A.
2.	Element.....	27H8221...2		GFE1010	
3.	Washer-sealing[rubber].....	27H8223...2			] U.S.A. ONLY
4.	Washer-nut.....	27H8224...2		available	
5.	Nut-square-head.....	27H8222...2			
6.	Cleaner assembly-air.....	AHC737.....	1	N.L.A.	

**AIR CLEANER FITTINGS**

7.	Gasket-cleaner to carburettor.	AEC375....2		N.L.A.	] EXCEPT U.S.A.
8.	Plate-mounting-rear filter...	AHC302....1		AHC776	
9.	Plate-mounting-front filter...	AHC63....1		N.L.A.	
10.	Bolt-cleaner to carburettor...	AHC430....4		N.L.A.	] U.S.A. ONLY
11.	Washer-plain.....	FWZ205....4		N.L.A.	
12.	Plate-mounting-front.....	AHC750....1		N.L.A.	
13.	Plate-mounting-rear.....	AHC751....1		N.L.A.	
14.	Nut-bracket to studs.....	LNZ205....2		GHF222	
15.	Bolt-cleaner to carburettor...	AHC430....2		N.L.A.	
16.	Washer-plain.....	FWZ105....2		GHF201	] U.S.A. ONLY
17.	Hose-air cleaner.....	AHC626....1		N.L.A.	
18.	Clip-hose to engine.....	PCR0811...2		N.L.A.	] U.S.A. NA SPEC ONLY
19.	Clip-hose to filter and rocker cover.....	88G308....2			
20.	Washer-plain.....	FWZ105....1		GHF301	
2.	NA spec air filter element.....	37H2749.....2			
3.	Washer sealing (rubber).....	27H8223...2			
4.	Washer-tube nut. . . . .	27H8224. . . . .2			
5.	Nut-square head (tube bolt) . . . . .	12B3743. . . . .2			

all available  
KA 2016

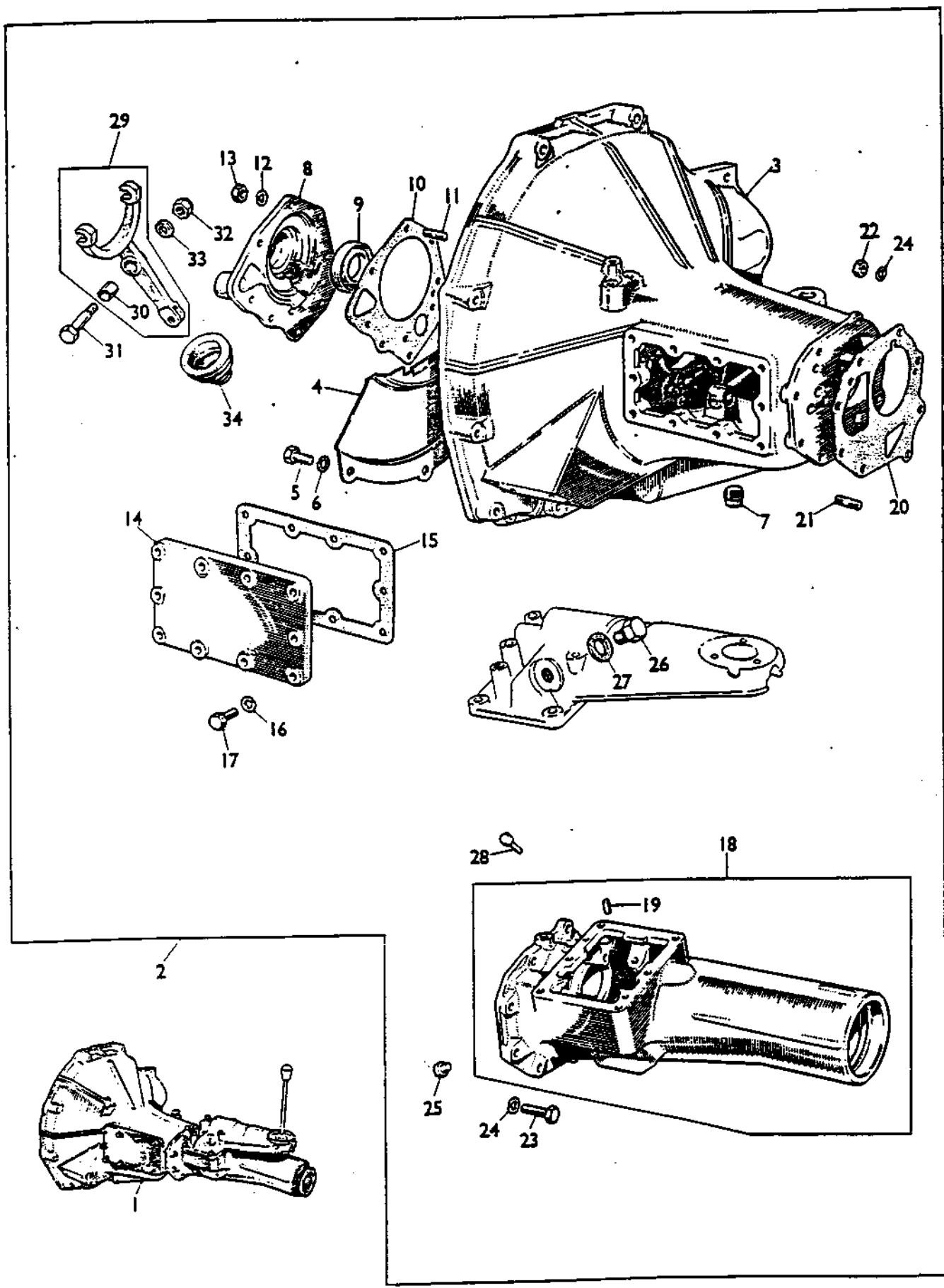


**CLUTCH  
CLUTCH AND FITTINGS**

1.	Cover-clutch-9" [22.86cm].....	13H4698...1	GCC113
2.	Plate assembly-driven.....	13H4699...1	GCP110
3.	Lining assembly[with rivets]..	8G8354...1	N.L.A.
4.	Rivet.....	7H3078....38	N.L.A.
5.	Bearing release[with cup].....	7H3120....1	GRB104
6.	Retainer-release bearing.....	22B66....2	
7.	Bolt-clutch to flywheel.....	HNS0506...6	SH605061
8.	Washer-spring.....	LWN206....6	GHF332

CLUTCH KIT - GCK3306

48

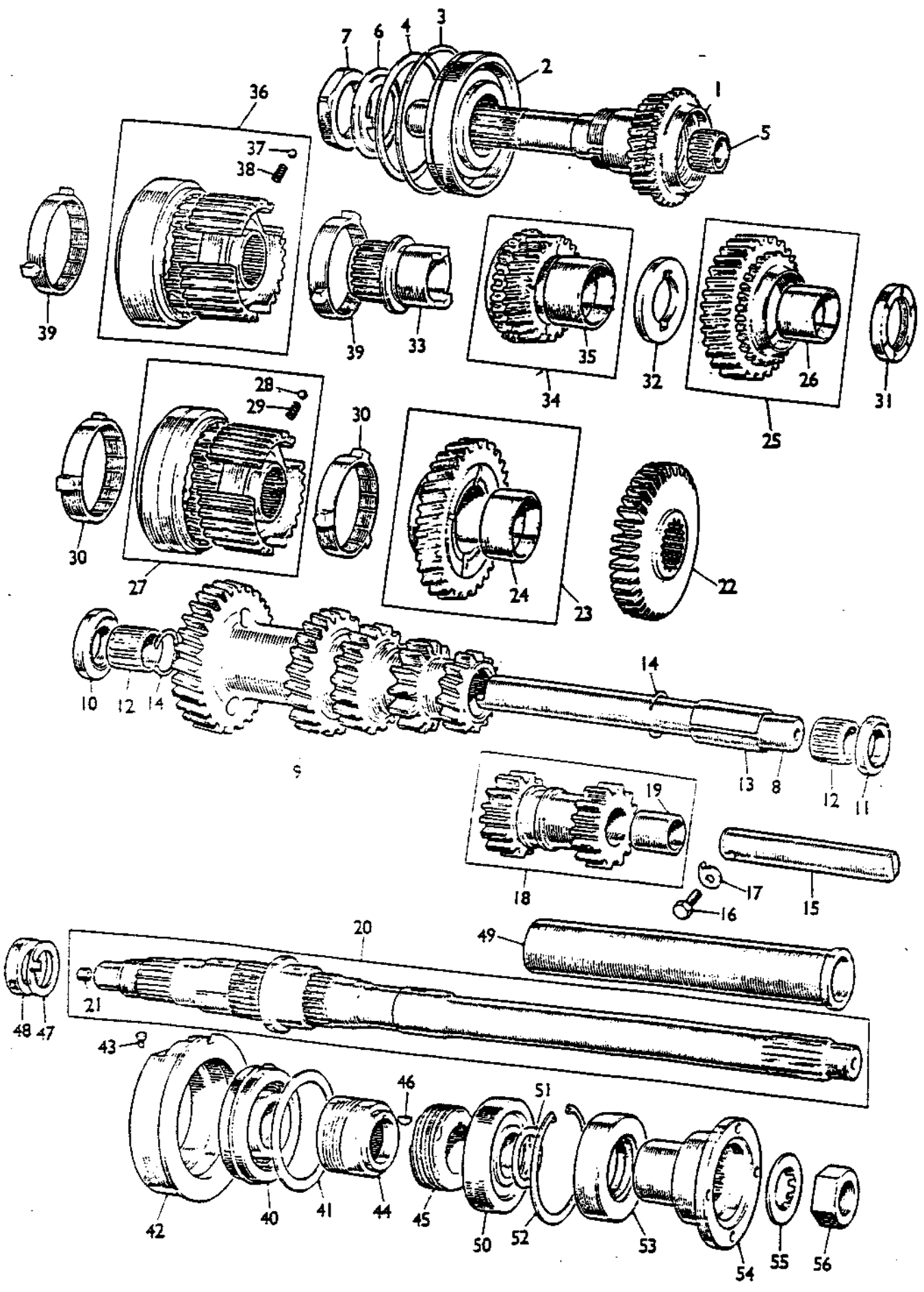


(49)

**GEARBOX**  
**GEARBOX [4-SPEED SYNCHROMESH]**

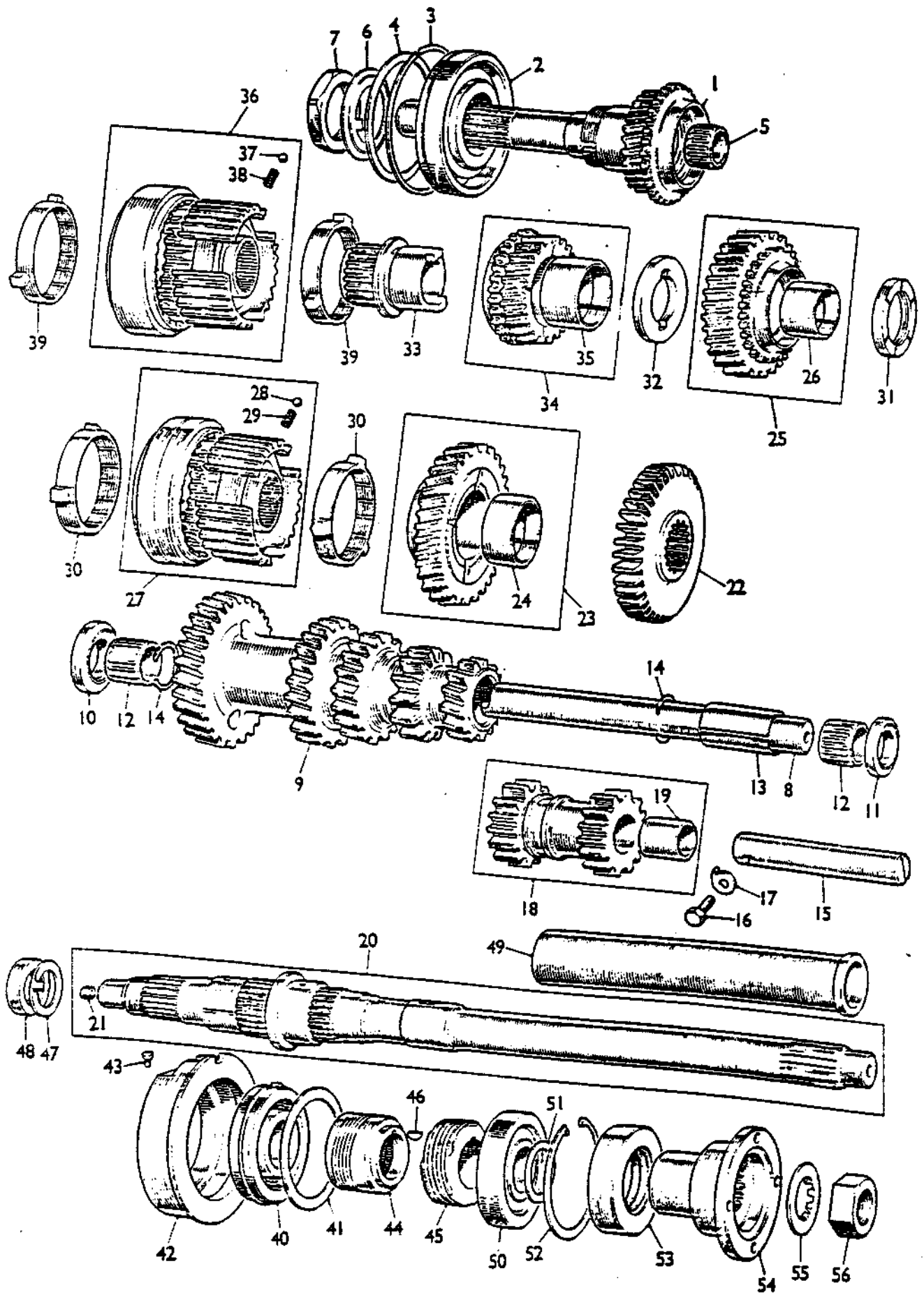
1.	<b>Gearbox assembly</b> .....	22B438....	1	N.L.A.
2.	<b>Gearbox assembly-basic</b> .....	68G364....	1	N.L.A.
3.	Casing gearbox main.....	22B514....	1	N.L.A.
4.	Guard-stone-clutch housing.....	22B555....	1	N.L.A.
5.	Screw.....	ZCS0505....	4	SH605051
6.	Washer-spring.....	LWZ305....	4	
7.	Plug-drain.....	2K5830....	1	
8.	Cover-gearbox front.....	22B384....	1	
9.	Seal-oil.....	22H475....	1	88G545
10.	Gasket.....	22B385....	1	
11.	Stud-front cover.....	CHS0511....	8	N.L.A.
12.	Washer-spring.....	LWZ305....	8	
13.	Nut.....	FNZ105....	8	GHF201
14.	Cover-gearbox side.....	22B309....	1	N.L.A.
15.	Gasket.....	22B319....	1	
16.	Washer-spring.....	LWZ305....	10	
17.	Screw.....	51K147....	10	N.L.A.
18.	<b>Extension assembly-rear</b> .....	22B368....	1	
19.	Doweel.....	AEG3101....	2	
20.	Gasket.....	22B371....	1	
21.	Stud.....	CHS2512....	2	N.L.A.
22.	Nut.....	FNZ105....	3	GHF201
23.	Screw.....	HCZ0510....	5	BH505101
24.	Washer-spring stud and screw..	LWZ305....	8	
25.	Button-thrust-speedometer pinion.....	1A3073....	1	N.L.A.
26.	Plug-overdrive switch hole....	1H3026....	1	N.L.A.
27.	Gasket plug.....	1B3664....	1	
28.	Pin-locating.....	22H576....	1	
29.	<b>Lever-clutch withdrawl</b> .....	22B382....	1	N.L.A.
30.	Bush.....	11G3195....	1	
31.	Bolt.....	11G3196....	1	
32.	Nut-lock.....	LNZ206....	1	GHF223
33.	Washer.....	AMK1580....	1	GHF302
34.	Cover-dust-withdrawl lever....	22B450....	1	N.L.A.





## GEARBOX [4-SYNCHROMESH]

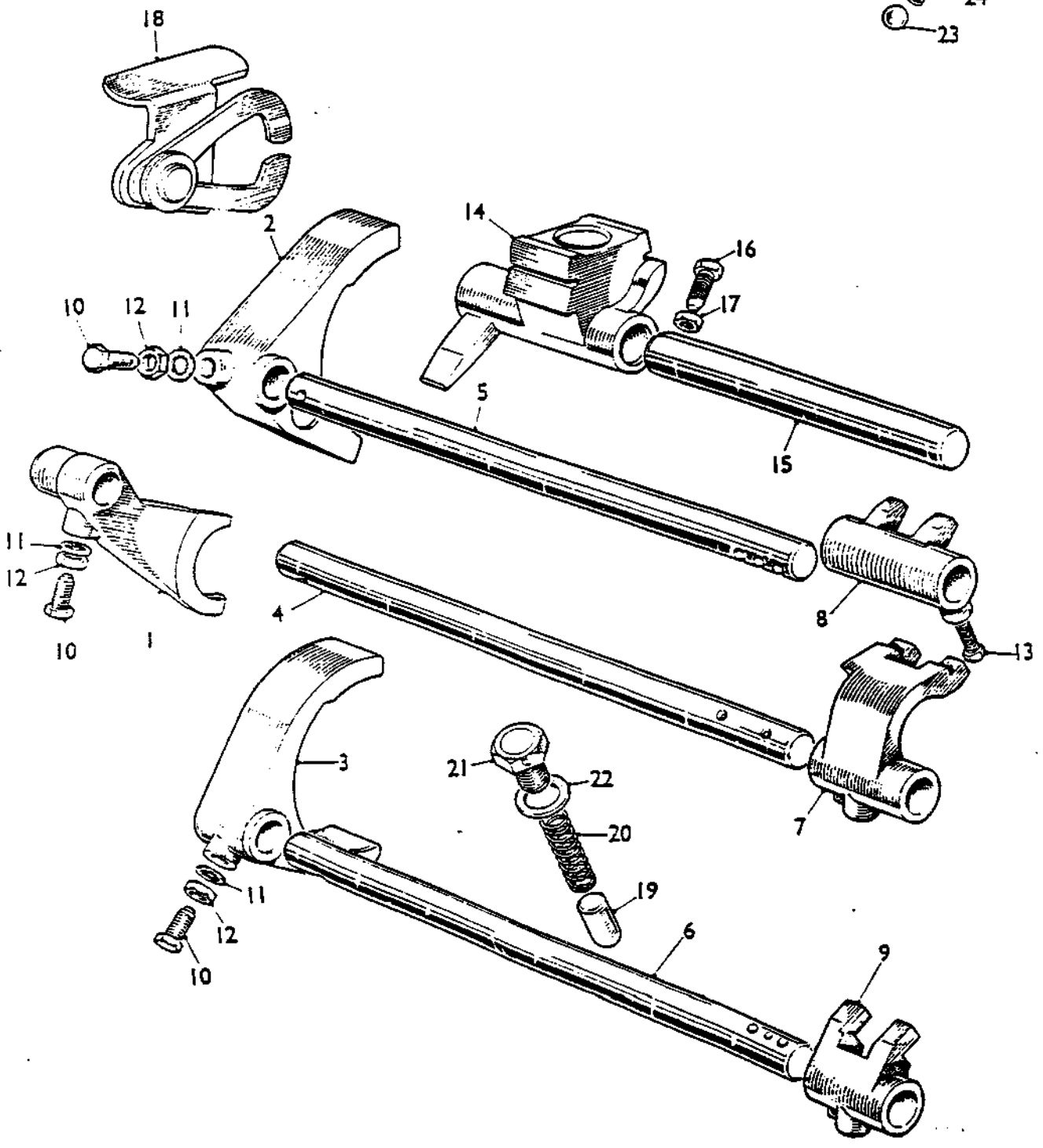
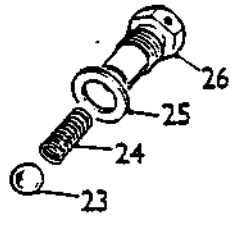
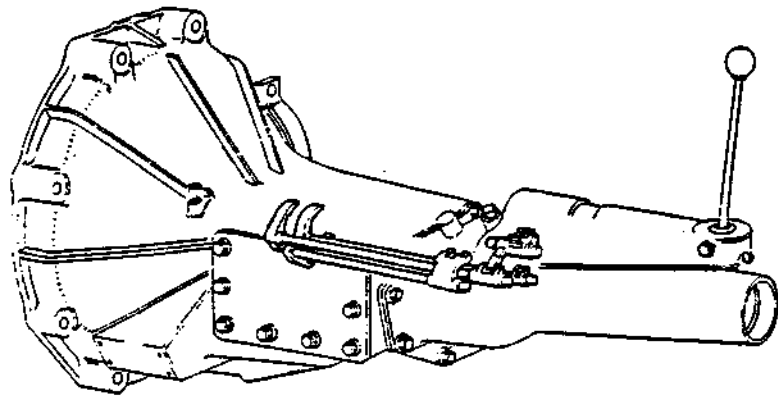
1.	Shaft-1st motion.....	22B556....1	
2.	Bearing-ball.....	6K777....1	6K830
3.	Ring-spring.....	6K780....1	
4.	Shim-1st motion shaft[.002'' .051mm].....	6K778....A/R	
4.	Shim-1st motion shaft[.004'' .102mm].....	6K779....A/R	
5.	Bearing-needle roller.....	22H774....1	
6.	Washer-lock.....	22H798....1	
7.	Nut-1st motion shaft.....	22B356....1	
8.	Layshaft.....	22B280....1	
9.	Laygear.....	22B557....1	
10.	Washer-thrust-laygear front...	22B301....1	N.L.A.
	<b>Washer-thrust-laygear rear</b>		
11.	.154-.156'' [3.91-3.96mm].....	22B302....A/R	
11.	.157-.158'' [3.99-4.01mm].....	22B303....A/R	N.L.A.
11.	.160-.161'' [4.06-4.09mm].....	22B304....A/R	N.L.A.
11.	.163-.164'' [4.14-4.17mm].....	22B305....A/R	N.L.A.
12.	Bearing-needle roller-laygear.	22H523....2	AHU1041A
13.	Tube-distance bearing.....	22H478....1	
14.	Ring-spring.....	22H477....2	
15.	Shaft-reverse.....	88G467....1	
16.	Screw.....	1G3581....1	
17.	Washer-lock.....	1B3363....1	
18.	<b>Gear-reverse</b> .....	22H308....1	
19.	Bush.....	22H310....1	
20.	<b>Shaft-3rd motion</b> .....	22B373....1	
21.	Restrictor-oil.....	1A1964....1	
22.	Gear-reverse-3rd motion shaft.	22H268....1	DAM1740
23.	<b>Gear-assembly-1st speed</b> .....	22B558....1	DAM6226
24.	Bush.....	22H281....1	
25.	<b>Gear-assembly-2nd speed</b> .....	22B560....1	DAM6228
26.	Bush.....	22H274....1	
27.	<b>Synchronizer-assembly-1st and 2nd speed</b> .....	22H1167....1	DAM4104
28.	Ball.....	BLS109....3	
29.	Spring.....	22H827....3	
30.	Ring-baulk.....	88G397....2	22H1028
31.	Washer-thrust-2nd speed gear..	22H276....1	
32.	Washer-thrust-interlocking....	22H1034....1	
33.	Sleeve-mainshaft.....	22H1062....1	



(53)

## GEARBOX [4 SPEED SYNCHROMESH] CONT

34.	<b>Gearbox assembly</b> .....	22B562....1	DAM6230A
35.	<b>Bush</b> .....	22H281....1	
36.	<b>Synchronizer assembly-3rd and 4th speed</b> .....	22H1168...1	
37.	<b>Ball</b> .....	BLS109....3	
38.	<b>Spring</b> .....	22H827....3	
39.	<b>Ring-baulk</b> .....	88G398....2	22H1028
40.	<b>Bearing-3rd motion shaft front</b> .....	22B313....1	
41.	<b>Shim-.002'' [.051mm]</b> .....	22B317....A/R	
41.	<b>Shim-.004'' [.102mm]</b> .....	22B318....A/R	
42.	<b>Housing-bearing</b> .....	22B551....1	N.L.A.
43.	<b>Peg-locating</b> .....	22B552....1	
44.	<b>Piece-distance-3rd motion shaft</b> .....	22B467....1	N.L.A.
45.	<b>Gear-speedometer[10 teeth]</b> ....	22B468....1	N.L.A.
46.	<b>Key-speedometer gear</b> .....	WKN304....1	
47.	<b>Washer-lock</b> .....	22H773....1	
48.	<b>Nut-3rd motion shaft-front</b> ....	22H772....1	
49.	<b>Tube-distance[with sleeve]</b> ....	22B391....1	N.L.A.
50.	<b>Bearing-3rd motion shaft rear</b> ..	1F3534....1	503791
	<b>Shim-rear bearing</b>		
51.	.....	22B464....A/R	
51.	.....	22B465....A/R	
51.	.....	22B466....A/R	
	<b>Circlip</b>		
52.	.....	22B229....1	N.L.A.
52.	.....	22B300....1	N.L.A.
52.	.....	22B463....1	N.L.A.
53.	<b>Seal-oil</b> .....	22B298....1	13H9213
54.	<b>Flange-3rd motion shaft</b> .....	22B268....1	
55.	<b>Washer-lock</b> .....	22B270....1	
56.	<b>Nut</b> .....	22B269....1	

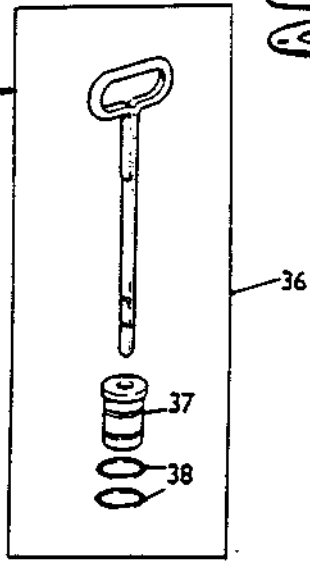
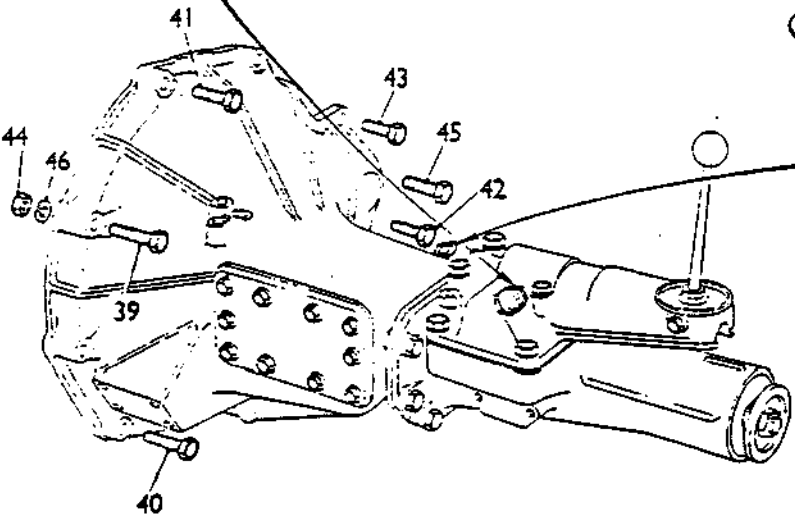
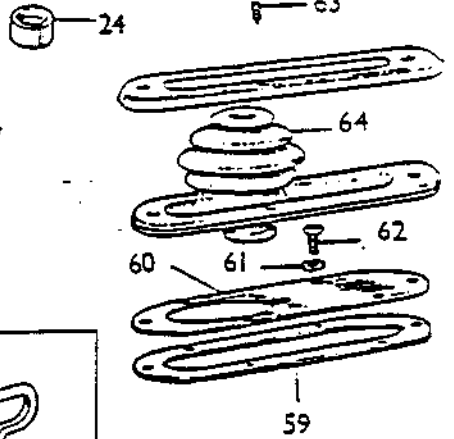
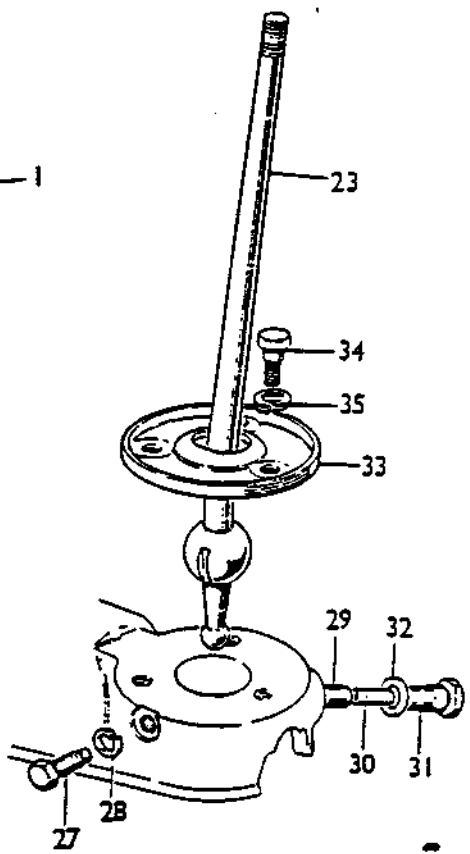
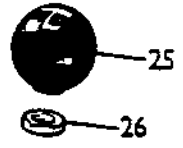
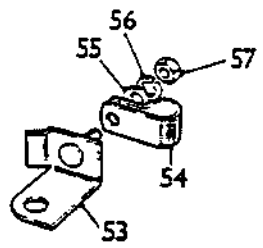
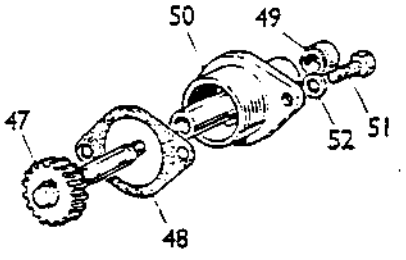
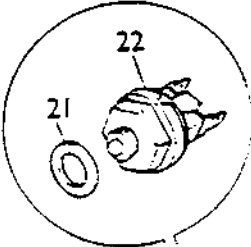
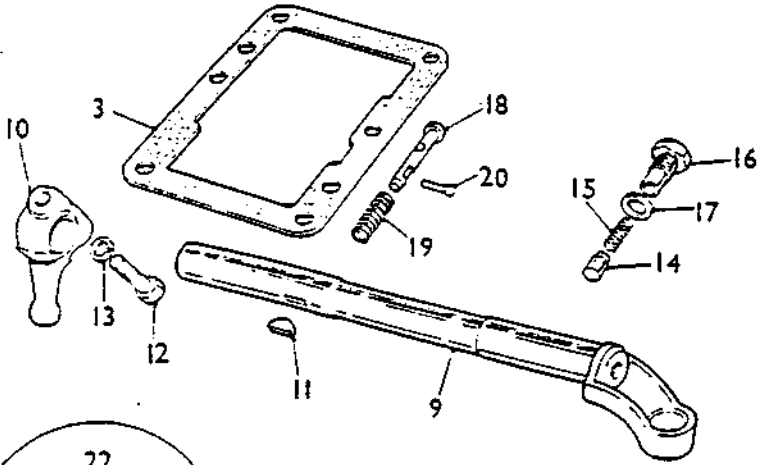
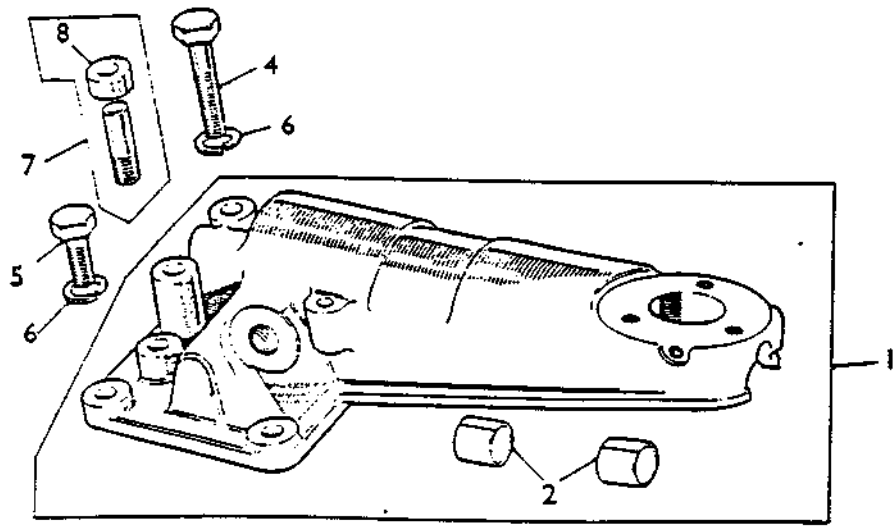


(55)

## GEARBOX [4 SPEED SYNCHROMESH] CONT

<b>Fork</b>			
1.	Reverse.....	22B283....1	
2.	1st and 2nd.....	22B284....1	
3.	3rd and 4th.....	22B285....1	
<b>Rod fork</b>			
4.	Reverse.....	22B376....1	
5.	1st and 2nd.....	22B375....1	N.L.A.
6.	3rd and 4th.....	22B377....1	N.L.A.
<b>Selector</b>			
7.	Reverse.....	22B378....1	N.L.A.
8.	1st and 2nd.....	22B379....1	
9.	3rd and 4th.....	22B380....1	
10.	Screw-fork locating.....	2A3492....3	
11.	Washer-shakeproof.....	LWN404....3	GHF321
12.	Nut-lock.....	FNN604....3	N.L.A.
13.	Screw-selector locating.....	1G3708....3	
14.	Lever-selector.....	22B386....1	
15.	Shaft-selector lever.....	22B390....1	
16.	Screw-selector locating.....	HPZ0411...1	N.L.A.
17.	Nut-lock.....	FNZ604....1	N.L.A.
18.	Arm-interlocking[with bracket].....	22B387....1	22B591
19.	Plunger-fork rod.....	22B408....3	
20.	Spring-detent plunger.....	22G327....3	
21.	Plug-plunger.....	6K643....3	
22.	Washer-plug.....	2K4956....3	
23.	Ball-reverse detent.....	BLS110....1	
24.	Spring-reverse detent.....	1H3124....1	N.L.A.
25.	Washer-detent plug.....	6K638....1	
26.	Plug-reverse detent.....	2A3379....1	N.L.A.

56



## GEARBOX [4 SPEED SYNCHROMESH] CONT

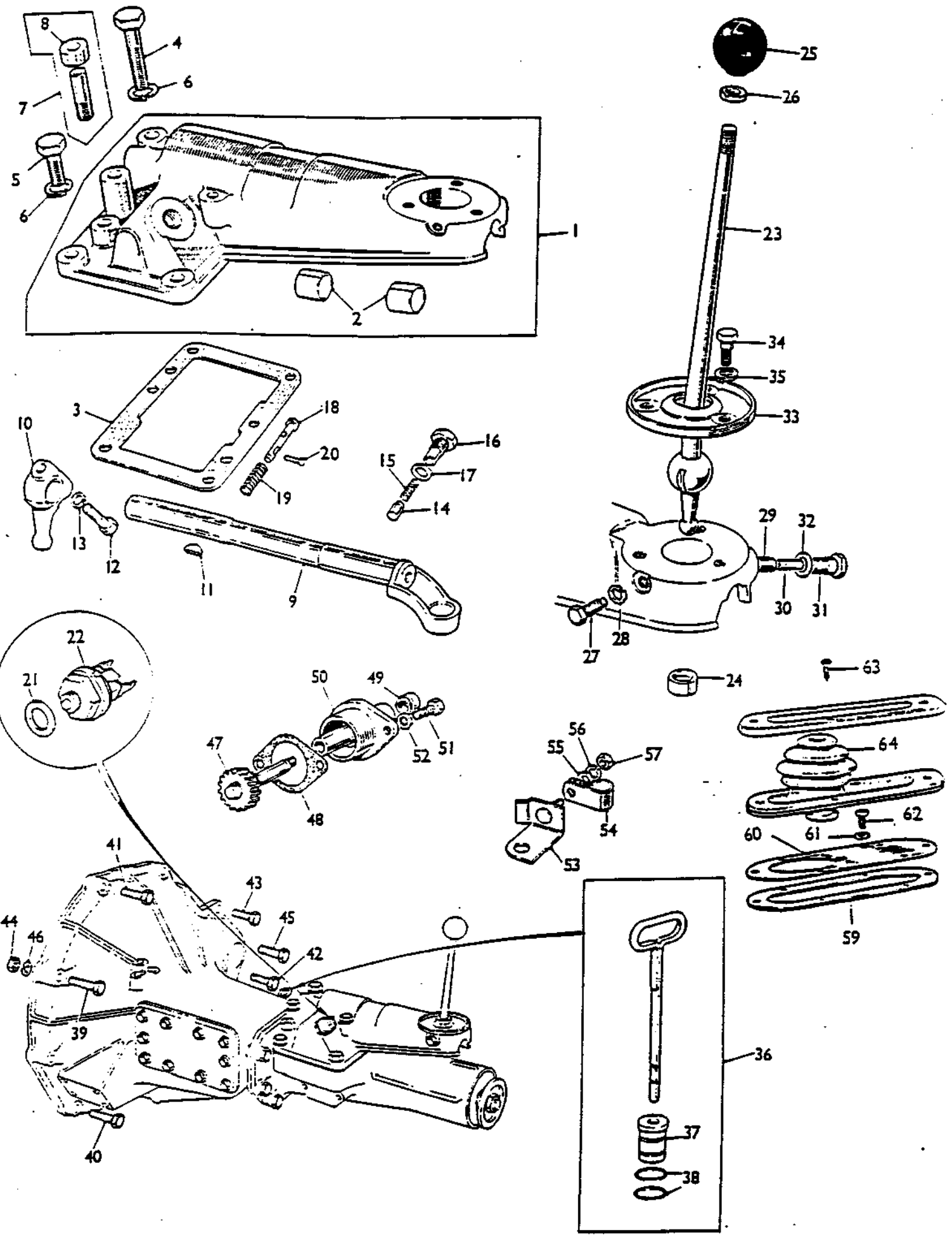
[The following items are required to convert the basic gear-  
box part number 68G364 to 22B438 M.G.C. gearbox]

		Remote control		
1.	Housing assembly-remote control.....	22B522....	1	
2.	Bush.....	22B415....	2	N.L.A.
3.	Gasket-housing to rear extension.....	22B372....	1	
4.	Screw-long.....	HCZ0518....	4	BH505181
5.	Screw-short.....	ZCS0508....	2	GHF163
6.	Washer-spring.....	LWZ305....	6	
7.	Breather assembly.....	1H3364....	1	21H6060 N.L.A
8.	Shroud.....	1H3366....	1	
9.	Shaft-remote control.....	22B416....	1	
10.	Lever-remote control.....	88G465....	1	
11.	Key-lever to shaft.....	WKN404....	1	
12.	Bolt.....	22B418....	1	
13.	Washer spring.....	LWN305....	1	
14.	Plunger-remote control damper.....	22A84....	1	
15.	Spring-plunger.....	AEG3123....	1	
16.	Cap-spring retainer.....	22A85....	1	
17.	Washer-retainer cap.....	AEG3122....	1	
18.	Plunger-reverse selector.....	22B396....	1	
19.	Spring-reverse plunger.....	1G3863....	1	
20.	Pin-locating-reverse plunger.....	22H576....	1	
21.	Gasket-reverse light switch.....	1B3664....	1	
22.	Switch-reverse light.....	13H2154....	1	BAU1074A
23.	Lever-change speed.....	22B419....	1	
24.	Bush-change speed lever.....	22H15....	1	
25.	Knob-change speed lever.....	1B3736....	1	N.L.A.
26.	Nut-lock.....	AHC602....	1	
27.	Pin-locating.....	1H3101....	2	
28.	Washer-spring.....	LWZ304....	2	GHF331
29.	Plunger-damper.....	22A84....	1	
30.	Spring-damper plunger.....	AEG3123....	1	
31.	Cap-spring retainer.....	22A85....	1	
32.	Washer retainer cap.....	AEG3122....	1	
33.	Cover-change speed lever seat.....	22B524....	1	DAM2576
34.	Screw-cover.....	22B525....	3	
35.	Washer-double coil spring.....	2K2545....	3	
36.	Dipstick assembly.....	22B549....	1	
37.	Bobbin.....	AEC3459....	1	N.L.A.
38.	Ring-packing.....	AEC3461....	1	N.L.A.
<b>BOLT</b>				
39.	Gearbox to mounting plate.....	HBZ0628....	3	BH606281
40.	Gearbox to mounting plate.....	HBZ0622....	2	BH606221
41.	Gearbox to crankcase.....	HBZ0624....	2	GHF126
42.	Gearbox to mounting plate.....	HBZ0618....	1	BH606181
43.	Starter to gearbox.....	HBZ0622....	1	BH606221
44.	Nut.....	FNZ106....	7	GHF202
45.	Screw-starter to mounting plate.....	HZS0611....	1	SH606111
46.	Washer-spring-bolts and screw.....	LWZ306....	10	GHF333

4MGC3.



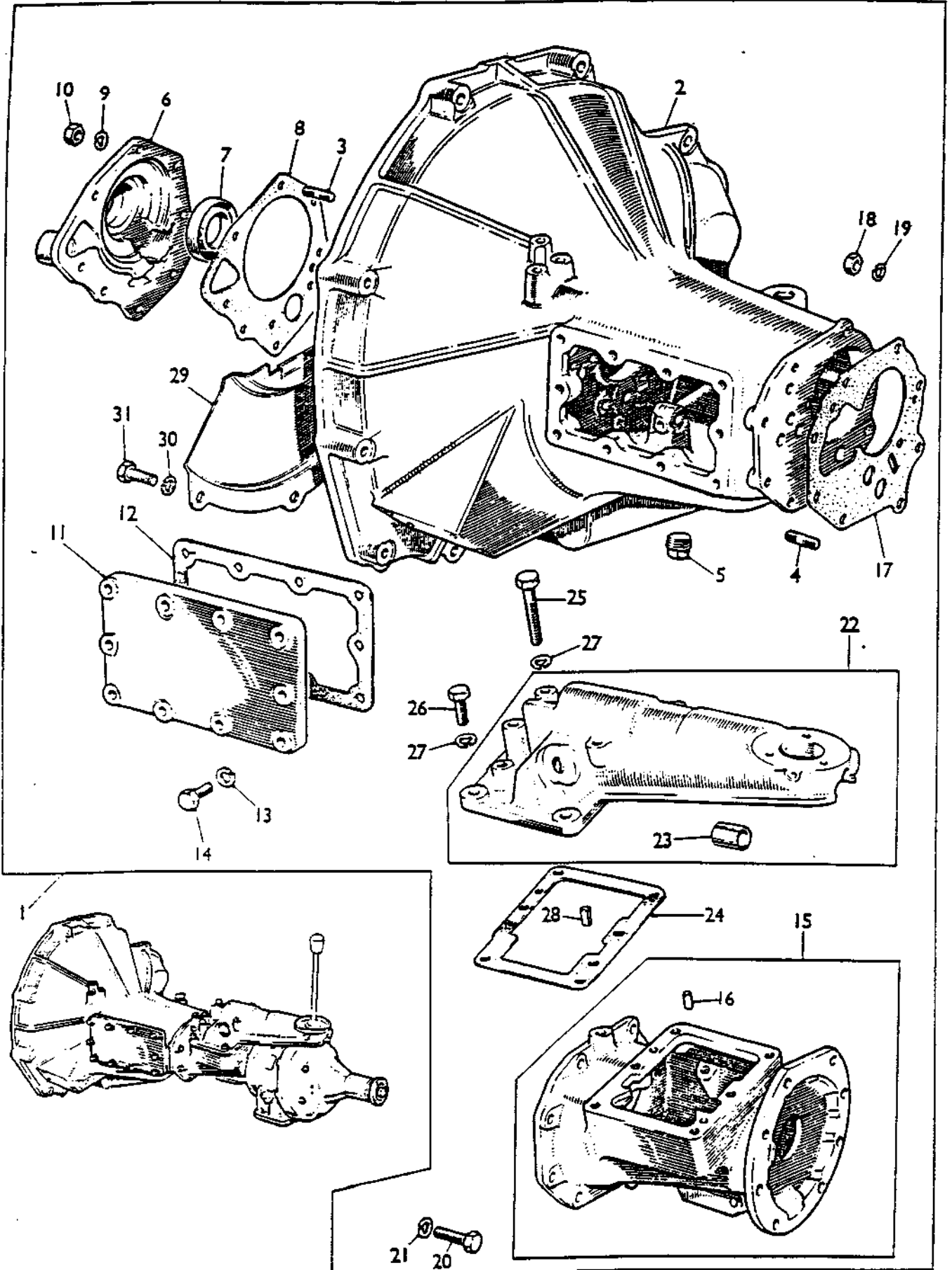
58



(59)

47.	Pinion-speedometer.....	22B469.....	1	N.L.A.
48.	Gasket.....	22H903.....	1	
49.	Seal-oil.....	13H4024....	1	AAU2304A
50.	Bush-pinion.....	22H29.....	1	
51.	Screw-bush.....	HZS0406...2		GHF117
52.	Washer-lock.....	LWZ404....2		GHF331
53.	Bracket-wiring clip.....	22B512.....	1	
54.	Clip.....	PCR0507...1		CP105081
55.	Washer-plain.....	PWZ103.....	1	GHF300
56.	Washer-spring.....	LWZ203.....	1	WL700101
57.	Nut.....	FNZ103.....	1	GHF206
58.	Chrome-retaining ring.....	AHC187.....	1	
59.	Foam-gasket.....	AHC188.....	1	
60.	Gearbox-remote cover.....	HZA1431...1		
61.	Spring-washer.....	GHF331....3		
62.	Retaining-screw.....	SE604041..3		
63.	Retaining-screw.....	RMP410....4		
64.	Gear lever-seal.....	BHH2049...1		

60A

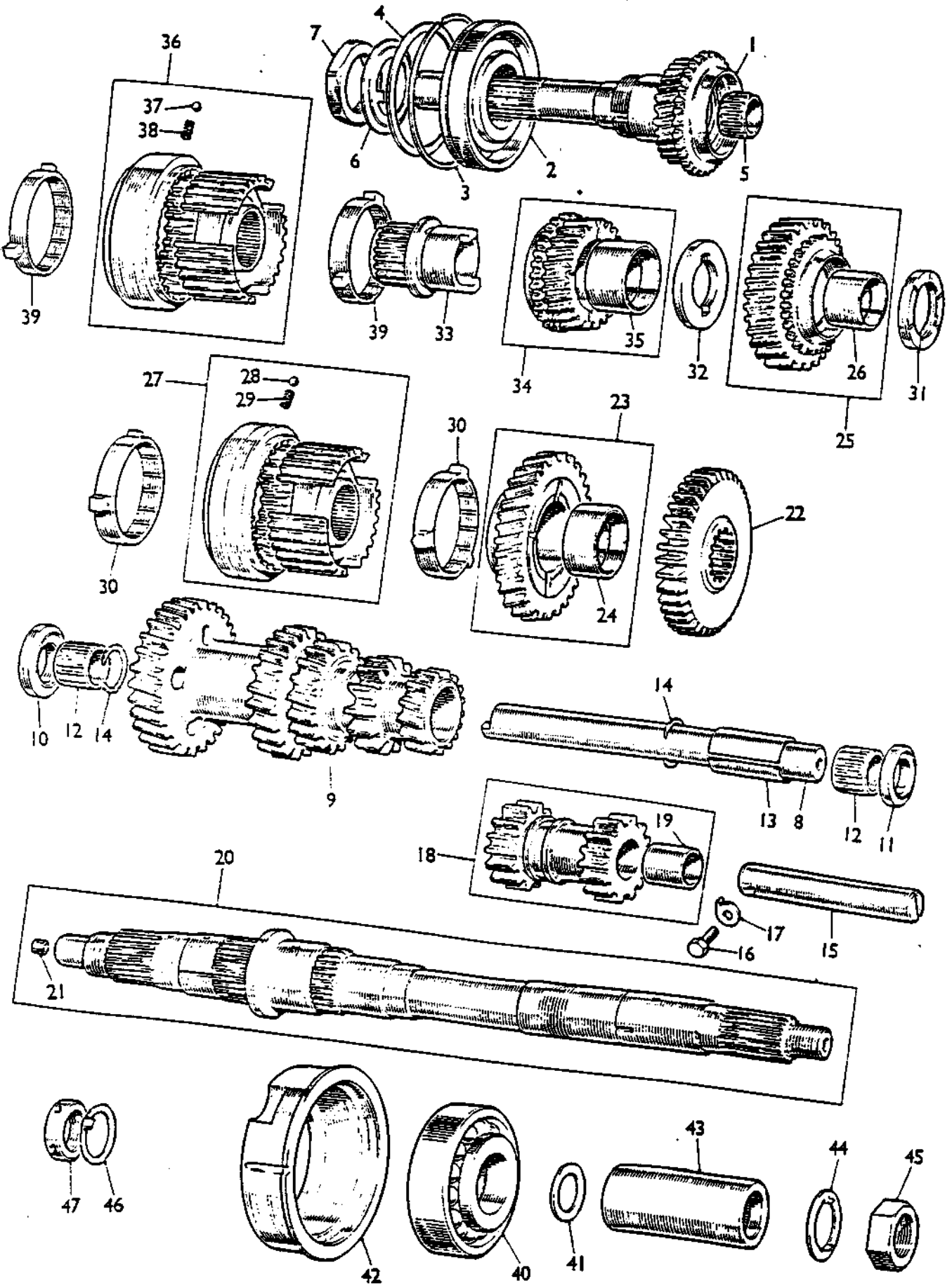


(60)

**GAERBOX**  
**[ 4 SPEED SYNCHROMESH WITH OVERDRIVE ]**

1.	<b>Gearbox-assembly</b> .....	22B411....1	N.L.A.
2.	Casing.....	22B514....1	N.L.A.
3.	Stud-front cover.....	CHS0511...8	N.L.A.
4.	Stud-overdrive adaptor.....	CHS2512...3	N.L.A.
5.	Plug-drain.....	2K5830....1	
6.	Cover-front.....	22B384....1	
7.	Seal-oil.....	22H475....1	88G545
8.	Gasket.....	22B385....1	
9.	Washer-spring.....	LWZ305....8	
10.	Nut.....	FNZ105....8	GHF201
11.	Cover-side.....	22B309....1	N.L.A.
12.	Gasket.....	22B319....1	
13.	Washer-spring.....	LWN305....10	
14.	Screw.....	53K147....10	
15.	<b>Adaptor-overdrive</b> .....	22B589....1	
16.	Dowel.....	AEG3101...1	
17.	Gasket.....	22B404....1	
18.	Nut.....	FNZ105....3	GHF201
19.	Washer-spring.....	LWZ305....3	
20.	Screw.....	HCZ0510...5	BH505101
21.	Washer-spring.....	LWZ305....5	
22.	<b>Housing-remote control</b> .....	22B522....1	
23.	Bush.....	22B415....2	
24.	Gasket.....	22B372....1	
25.	Screw.....	HCZ0518...4	BH505181
26.	Screw.....	ZCS0508...2	GHF163
27.	Washer-spring.....	LWZ305....6	
28.	Dowel-remote control housing..	AEG3101...2	
29.	Guard-stone clutch housing...	22B555....1	N.L.A.
30.	Washer-spring.....	LWZ205....4	GHF332
31.	Screw.....	ZCS0505...4	SH505051

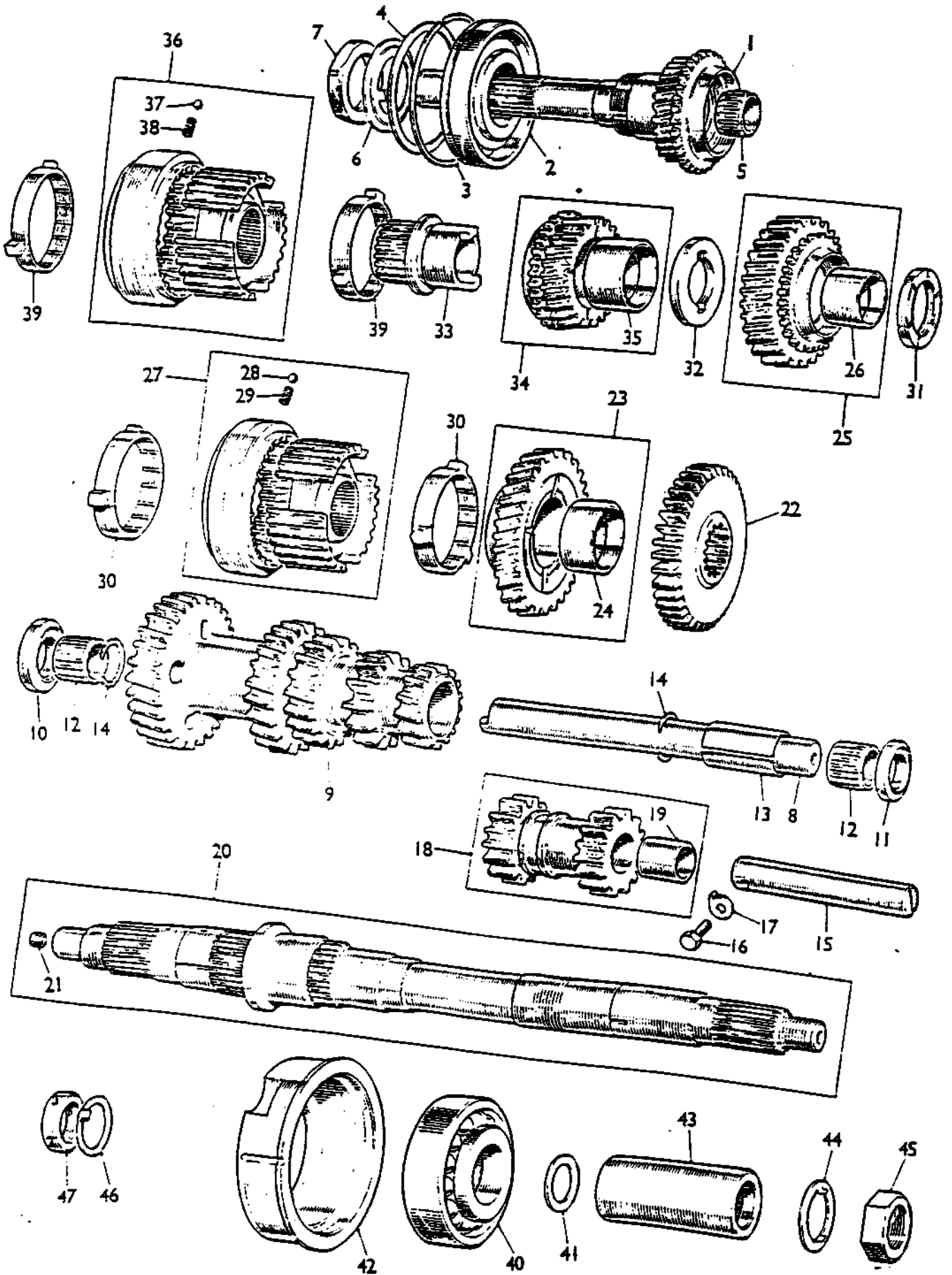
61A



**GEARBOX**  
**[ 4 SPEED SYNCHROMESH WITH OVERDRIVE ] CONT**

1.	Shaft-1st motion.....	22B564....1	N.L.A.
2.	Bearing.....	6K777....1	6K830
3.	Ring-spring.....	6K780....1	
4.	Shim.....	6K778....A/R	
5.	Bearing-needle roller.....	22H774....1	
6.	Washer-locking.....	22H798....1	
7.	Nut.....	22B356....1	
8.	Layshaft.....	22B280....1	
9.	Laygear.....	22B565....1	N.L.A.
10.	Washer-thrust-front.....	22B301....1	N.L.A.
	<b>Waher-thrust-rear</b>		
11.	.154 to.156 [3.91 to 3.96mm]..	22B302....A/R	
11.	.157 to.158 [3.99 to 4.01mm]..	22B303....A/R	N.L.A.
11.	.160 to.161 [4.06 to 4.09mm]..	22B304....A/R	N.L.A.
11.	.163 to.164 [4.14 to 4.17mm]..	22B305....A/R	N.L.A.
12.	Bearing-needle-roller.....	22H523....2	AHU1041A
13.	Tube-distance-bearing.....	22H478....1	
14.	Ring-spring.....	22H477....2	
15.	Shaft-reverse.....	88G467....1	
16.	Screw-shaft locking.....	1G3581....1	
17.	Washer-locking.....	1B3363....1	
18.	<b>Gear reverse</b> .....	22H308....1	
19.	Bush.....	22H310....1	
20.	<b>Shaft-3rd motion</b> .....	22B423....1	8G3032
21.	Restrictor-oil.....	1A1964....1	
22.	Gear-reverse-mainshaft.....	22H268....1	DAM1740
23.	<b>Gear-1st speed-mainshaft</b> .....	22B558....1	DAM6226
24.	Bush.....	22H281....1	
25.	<b>Gear-2nd speed-mainshaft</b> .....	22B566....1	N.L.A.
26.	Bush.....	22H274....1	
27.	<b>Synchronizer-1st and 2nd speed</b> .....	22H1167....1	DAM4104
28.	Ball.....	BLS109....3	
29.	Spring.....	22H827....3	
30.	Ring-baulk-1st and 2nd speed..	88G397....2	22H1028
31.	Washer-thrust-2nd speed gear..	22H276....1	
32.	Washer-thrust-interlocking....	22H1034....1	
33.	Sleeve-mainshaft.....	22H1062....1	

62



(63)

**GEARBOX**  
**[ 4 SPEED SYNCHROMESH WITH OVERDRIVE ] CONT**

34.	Gear-3rd speed.....	22B568....1	
35.	Bush.....	22H281....1	
36.	Synchronizer-3rd and 4th speed.....	22H1168....1	
37.	Ball.....	BLS109....3	
38.	Spring.....	22H827....3	
39.	Ring-baulks-3rd and 4th speed.	88G398....2	22H1028
40.	Bearing-3rd motion shaft..... Shim	22H283....1	
41.		22B464....A/R	
41.		22B465....A/R	
41.		22B466....A/R	
42.	Housing-bearing.....	22B588....1	
43.	Piece-distance-3rd motion shaft.....	22B425....1	
44.	Nut.....	22B515....1	
45.	Washer-locking.....	22B516....1	
46.	Washer-locking-front.....	22H773....1	
47.	Nut-front-3rd motion shaft....	22H772....1	



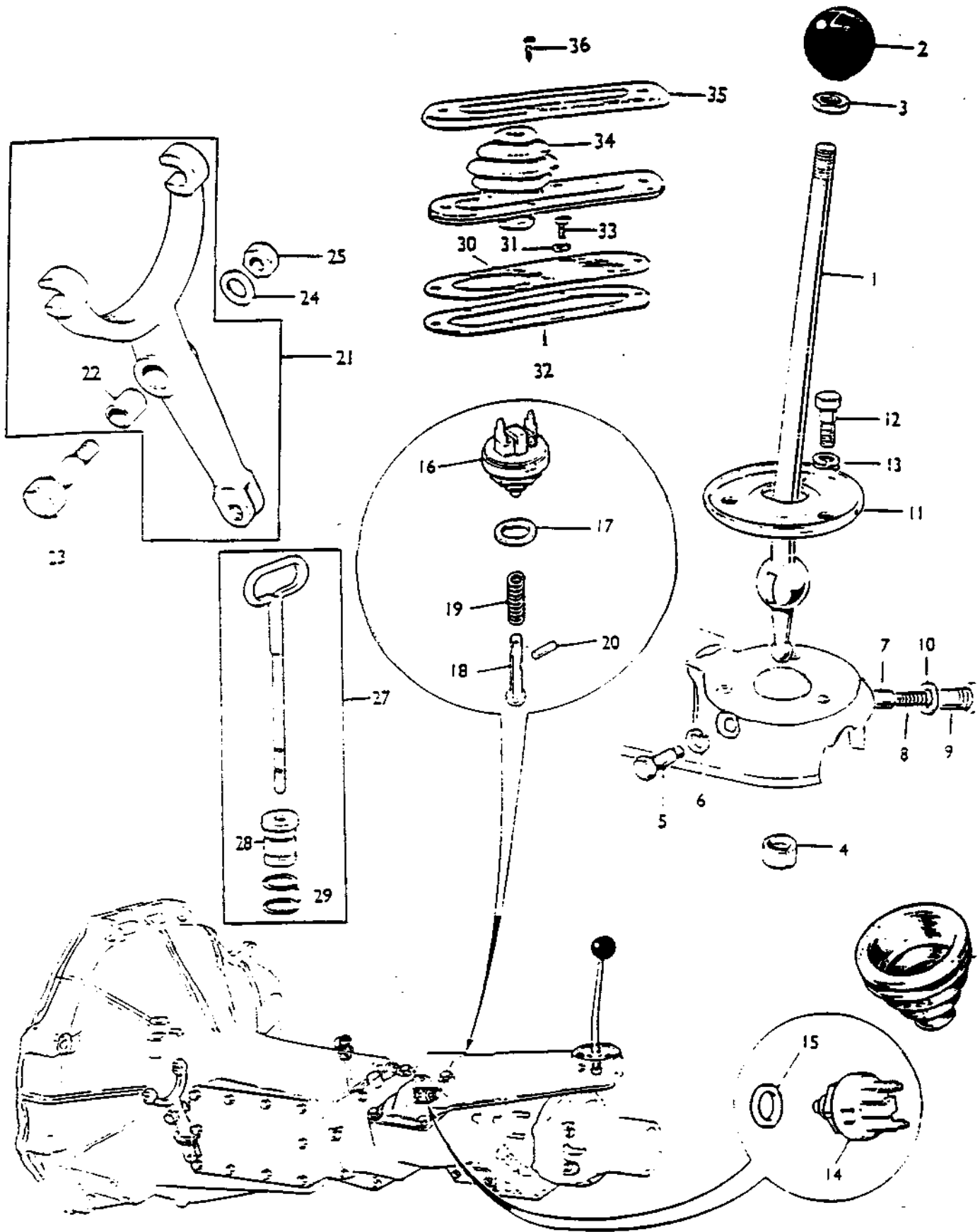


(65)

**GEARBOX**  
**[ 4 SPEED SYNCHROMESH WITH OVERDRIVE ] CONT**

<b>FORK</b>			
1.	Reverse.....	22B283....1	
2.	1st and 2nd.....	22B284....1	
3.	2nd and 3rd.....	22B285....1	
<b>ROD-FORK</b>			
4.	Reverse.....	22B376....1	
5.	1st and 2nd.....	22B375....1	N.L.A.
6.	3rd and 4th.....	22B377....1	N.L.A.
<b>SELECTOR</b>			
7.	Reverse.....	22B378....1	N.L.A.
8.	1st and 2nd.....	22B379....1	
9.	3rd and 4th.....	22B380....1	
10.	Screw-fork locating.....	2A3492....3	
11.	Washer-shakeproof.....	LWN404....3	GHF321
12.	Nut-locking.....	FNN604....3	FNZ604
13.	Screw-selector locating.....	1G3708....3	
14.	Lever-selector.....	22B386....1	
15.	Shaft-selector lever.....	22B390....1	
16.	Screw-selector lever locating.....	HPZ0411...1	N.L.A.
17.	Nut-locking.....	FNZ604....1	
18.	Lever-remote control shaft.....	88G465....1	
19.	Key-lever.....	WKN404....1	
20.	Bolt.....	22B418....1	
21.	Washer-spring.....	LWN305....1	
22.	Shaft-remote control.....	22B416....1	
23.	Plunger-shaft damping.....	22A84....1	
24.	Spring-plunger.....	AEG3123...1	
25.	Cap-retaining-plunger.....	22A85....1	
26.	Washer-cap.....	AEG3122...1	
27.	Arm-interlocking.....	22B387....1	22B591
28.	Plunger-fork rod.....	22B408....3	
29.	Spring-detent-plunger.....	22G327....3	
30.	Plug-plunger.....	6K643....3	
31.	Washer-plug.....	2K4956....3	
32.	Plunger-reverse selector.....	22B396....1	
33.	Spring-plunger.....	1G3863....1	
34.	Pin-locating-plunger.....	22H576....1	
35.	Ball.....	BLS110....1	
36.	Spring-detent plunger.....	1H3124....1	
37.	Plug-detent spring.....	2A3379....1	
38.	Washer-plug.....	6K638....1	

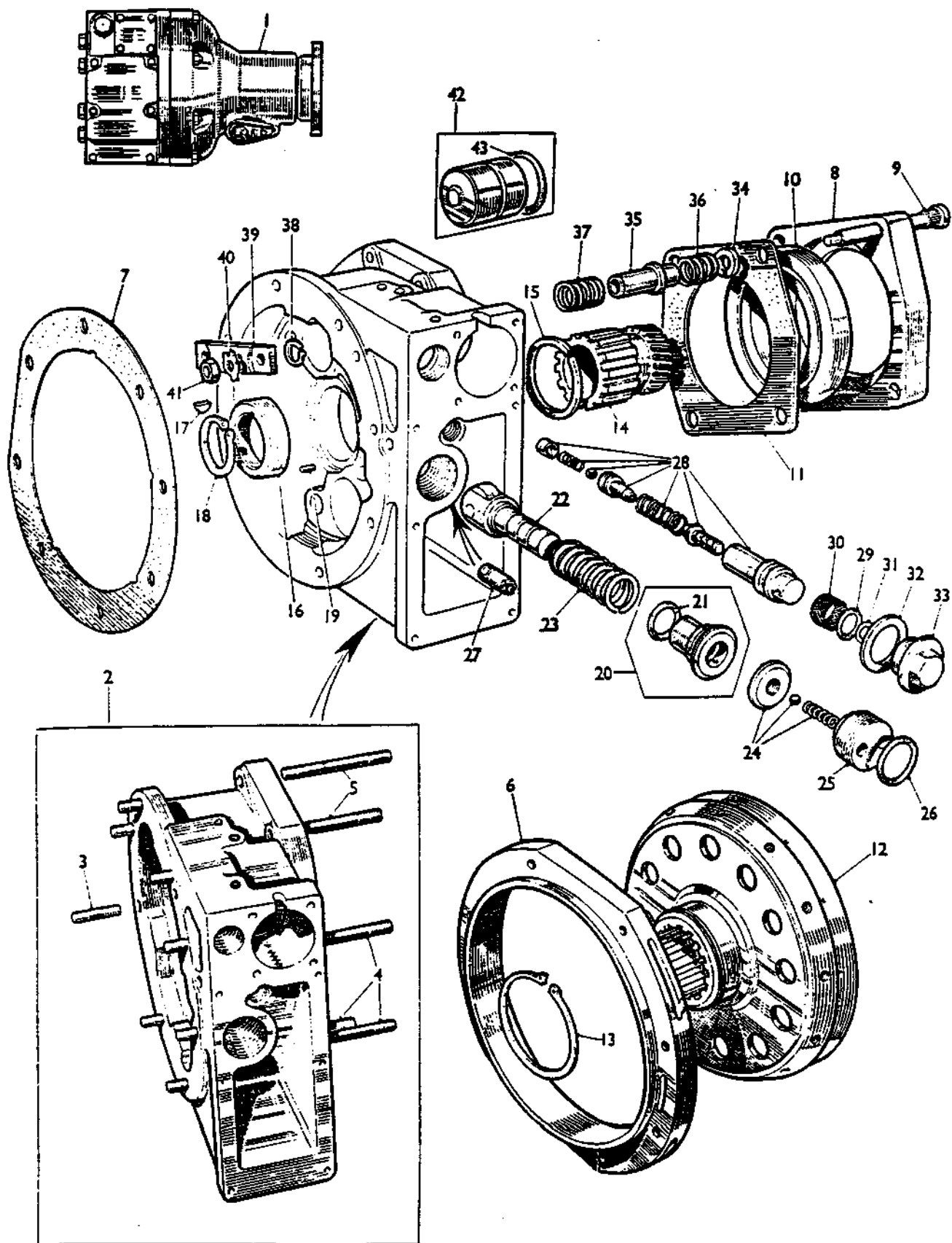
66



## GEARBOX [4 SPEED SYNCHROMESH WITH OVERDRIVE] CONT

1.	Lever-change speed.....	22B419....	1	
2.	Knob-lever.....	1B3736....	1	
3.	Nut-locking.....	AHC602....	1	N.L.A.
4.	Bush-lever.....	22H15....	1	
5.	Pin-lever locating.....	1H3101....	2	
6.	Washer-spring.....	LWZ304....	2	GHF331
7.	Plunger-lever damping.....	22A84....	1	
8.	Spring-plunger.....	AEG3123...1		
9.	Cap-retaining-plunger.....	22A85....	1	
10.	Washer-cap.....	AEG3122...1		
11.	Cover-lever-seat.....	22B524....	1	DAM2576
12.	Screw-cover.....	22B525....	3	
13.	Washer-spring-double coil.....	2K2545....	3	
14.	Switch-reverse light.....	13H2154...1		
15.	Washer-switch.....	1B3664....	1	
16.	Switch-overdrive isolation....	13H2154...1		514854
17.	Washer-switch.....	1B3664....	1	
18.	Plunger-isolation switch.....	22B406....	1	
19.	Spring-plunger.....	22H204....	1	
20.	Pin-plunger locating.....	22H576....	1	
21.	<b>Lever-clutch withdrawl.....</b>	22B382....	1	N.L.A.
22.	Bush.....	11G3195...1		
23.	Bolt-lever.....	11G3196...1		
24.	Washer-bolt.....	11G3199...1		12H2178
25.	Nut.....	LNZ206....	1	GHF223
26.	Cover-dust lever.....	22B450....	1	N.L.A.
27.	<b>Indicator assembly-oil level..</b>	22B549....	1	N.L.A.
28.	Bobbin.....	AEC3459...1		N.L.A.
29.	Ring-packing.....	AEC3461...2		N.L.A.
30.	Gearbox-remote lever.....	HZA1431...1		
31.	Spring-washer.....	GHF331....	3	
32.	Foam-gasket.....	AHC188....	1	
33.	Retaining-screw.....	SE604041..3		
34.	Seal-gearlever.....	BHH2049...1		
35.	Chrome retaining ring.....	AHC187....	1	
36.	Retaining-screw.....	RMP410....	4	

68

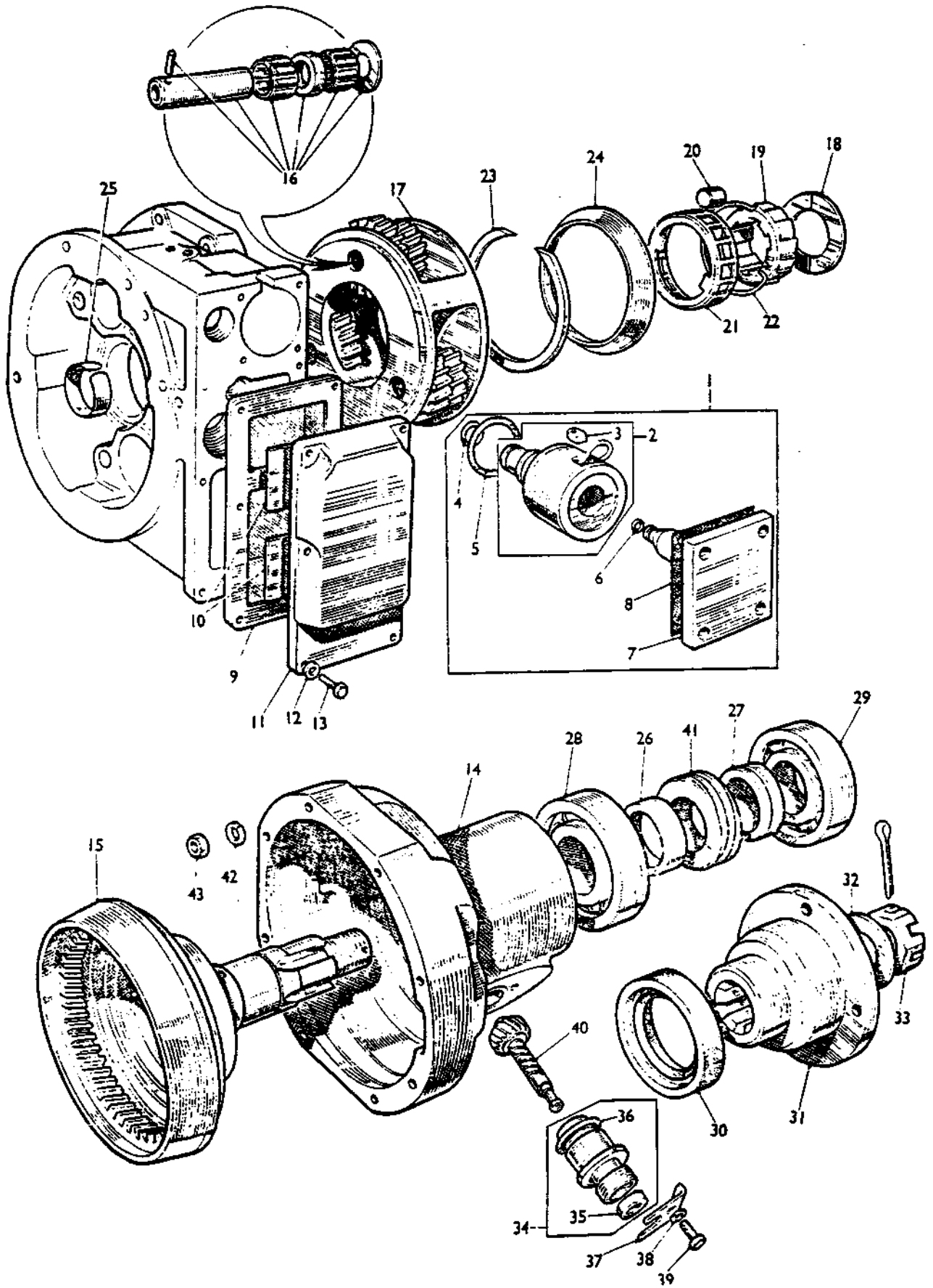




**GEARBOX [4 SPEED SYNCHROMESH WITH OVERDRIVE] CONT**

1.	<b>Unit-overdrive</b> .....	22B397....1	22B687E
2.	<b>Casing main</b> .....	37H1896....1	
	<b>Stud</b>		
3.	Main casing to adaptor.....	37H1897...8	
4.	Main casing to rear casing....	37H1898...6	
5.	Main casing to rear casing....	37H1899...2	
6.	Ring-brake.....	37H1900...1	
7.	Gasket-adaptor to main casing.	37H1901...1	
8.	Housing-thrust bearing.....	37H1902...1	
9.	Pin-housing.....	37H1903...4	
10.	Bearing-thrust.....	7H5866...1	500640
11.	Plate-retaining-bearing.....	37H1904...1	
12.	Sliding member.....	37H1905...1	37H3461
13.	Circlip.....	37H1906...1	
14.	Sunwheel.....	37H1907...1	
15.	Ring-snap.....	37H1908...1	010849
16.	Cam.....	37H1909...1	
17.	Key.....	37H1910...1	
18.	Circlip.....	37H1911...1	
19.	Dowel-spring-oil transfer pump.....	37H1912...1	
20.	<b>Body pump</b> .....	37H1913...1	
21.	O ring body.....	37H1914...1	
22.	Plunger-pump.....	37H1915...1	
23.	Spring-pump plunger.....	37H1916...1	
24.	Valve-non return-pump.....	37H1917...1	NKC29A
25.	Plug-pump.....	37H1918...1	NKC26A
26.	O ring plug.....	37H1919...1	NKC101A
27.	Tube-suction pump.....	37H1920...1	
28.	Valve-relief and low pressure.	37H1921...1	37H4731
29.	O ring.....	37H1922...1	506129A
30.	Filter-relief valve body.....	37H1923...1	
31.	O ring.....	37H1924...1	
32.	Washer-relief valve plug.....	7H8307...1	506118A
33.	Plug-relief valve.....	37H1925...1	
34.	Washer-thrust rod.....	37H1926...4	
35.	Rod-thrust.....	37H1927...4	
36.	Spring-clutch engagement.....	37H1928...4	
37.	Spring-clutch release.....	37H1929...4	
38.	Circlip-thrust rod.....	37H1930...4	
39.	Piece-bridge.....	37H1931...2	
40.	Washer-tab.....	7H5863...4	
41.	Nut.....	37H1932...4	
42.	<b>Piston</b> .....	37H1933...1	
43.	O ring.....	17H5874...1	513912

70



## GEARBOX [4 SPEED SYNCHROMESH WITH OVERDRIVE] CONT

1.	Solenoid valve kit.....	37H1934...1	
2.	Coil-solenoid.....	37H1935...1	
3.	Grommet.....	37H1936...1	
4.	O'Ring.....	37H1937...1	NKC102A
5.	O'Ring.....	37H1938...1	NKC99A
6.	O'Ring.....	37H1939...1	
7.	Plate-end.....	37H1940...1	N.L.A
8.	Gasket.....	37H1941...1	
9.	Filter & gasket-sump.....	37H1942...1	
10.	Magnet-set.....	37H1943...1	
11.	Sump.....	37H1944...1	
12.	Washer-shakeproof.....	37H1945...6	
13.	Screw.....	37H1946...6	
14.	Casing-rear.....	37H1947...1	
15.	Annulus.....	37H1948...1	37H3873
16.	Bearing-planet.....	37H1949...1	
17.	Carrier-planet.....	37H1950...1	
18.	Washer-thrust-free wheel inner to annulus.....	7H5883...1	500613A
19.	Member-inner-free wheel.....	7H5879...1	BAU2061A
20.	Roller-steel.....	7H5880...12	506063A
21.	Cage-free wheel.....	7H5881...1	012610
22.	Spring-cage.....	7H8273...1	513208
23.	Ring-case spring.....	7H8275...1	NKC77A
24.	Thrower-oil.....	17H8028...1	010857
25.	Ring-spring-mainshaft.....	37H1951...1	
26.	Spacer.....	37H1952...1	
27.	Spacer-selective.....	37H1953...1	
28.	Bearing-1.1/4"X2.3/4"X1.1/16".....	2K5507...1	217325A
29.	Bearing-30mmX62mmX16mm.....	7H5884...1	SP75G
30.	Seal-oil-rear casing.....	17H5854...1	NKC39A
31.	Flange-coupling.....	37H1954...1	22B619 Available OD cars only in 2017
32.	Washer.....	FWN112...1	N.L.A
33.	Nut.....	7H5889...1	
34.	Bearing-speedometer.....	37H1955...1	
35.	Seal-oil.....	37H1956...1	NKC105A
36.	O'Ring.....	37H1938...1	NKC99A
37.	Plate-locking-speedometer.....	37H1957...1	
38.	Washer-locking-speedometer.....	37H1958...1	
39.	Screw.....	37H1959...1	
40.	Washer-spring.....	37H1960...16	
41.	Nut.....	37H1932...16	
42.	Gasket-overdrive to adaptor.....	22B405...1	



72

**GEARBOX SERVICE KITS  
(4-SPEED SYNCHROMESH)**

**KIT GASKET.....8G2539....1**

**GASKETS**

Front cover.....22B385....1  
 Side cover.....22B319....1  
 Rear extension.....22B371....1  
 Plug-overdrive switch hole....1B3664....1  
 Remote control housing.....22B372....1  
 Reverse light switch.....1B3664....1

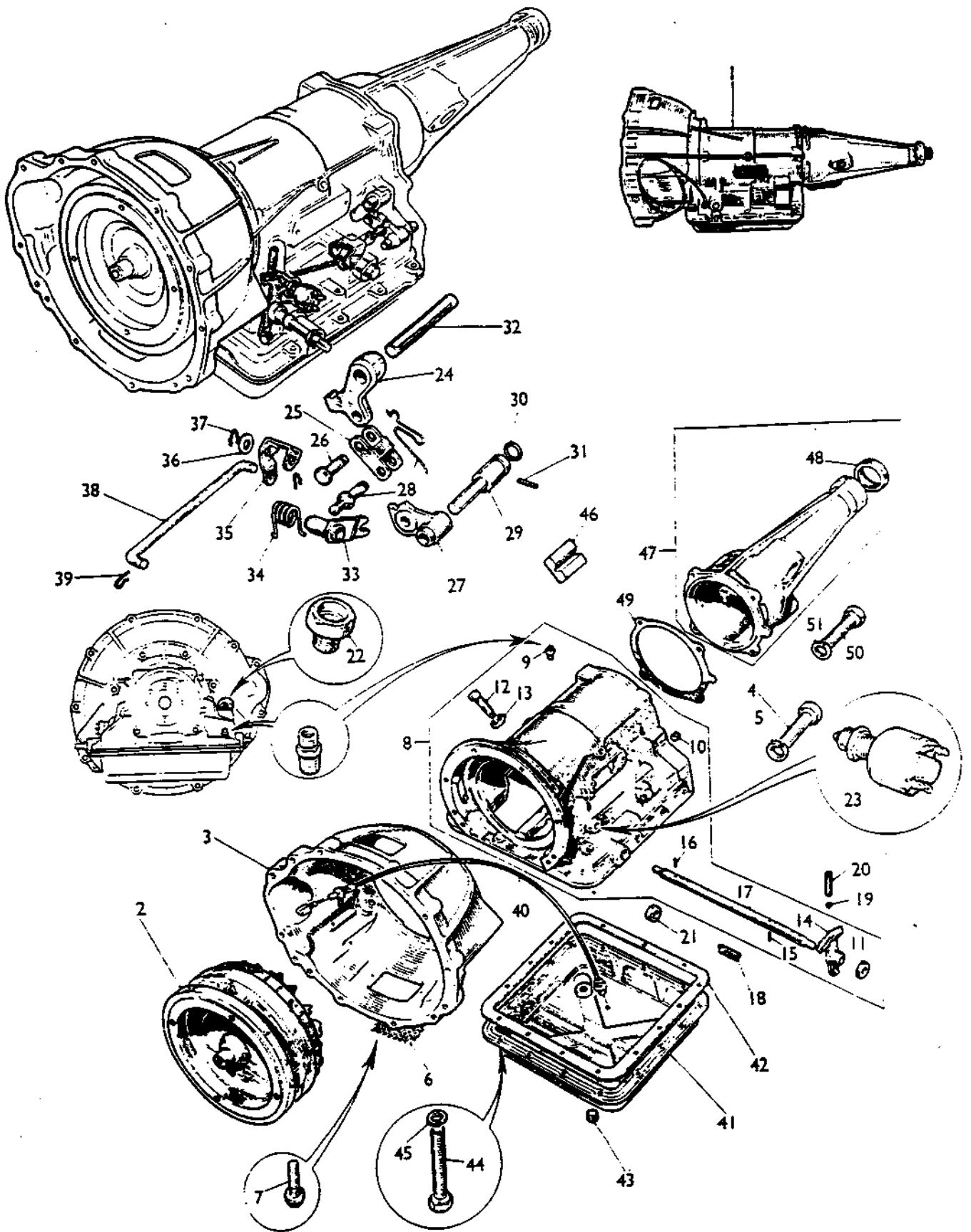
**GEARBOX SERVICE KITS  
(4-SPEED SYNCHROMESH WITH OVERDRIVE)**

**KIT GASKET.....8G2540....1**

**GASKETS**

Front cover.....22B385....1  
 Side cover.....22B319....1  
 Overdrive adaptor.....22B404....1  
 Remote control housing.....22B372....1  
 Overdrive switch.....1B3664....1  
 Reverse light switch.....1B3664....1  
 Solenoid valve plate.....37H1941...1  
 Overdrive sump and filter....37H1942...1  
 Adaptor to main casing.....37H1901...1  
 Overdrive to adaptor.....22B405....1

74

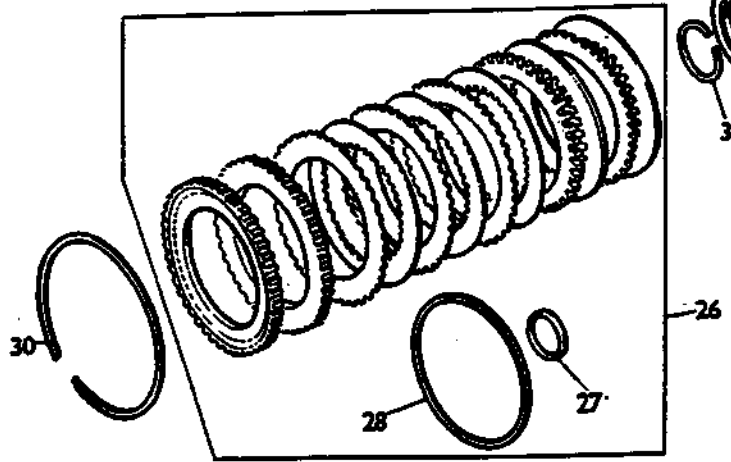
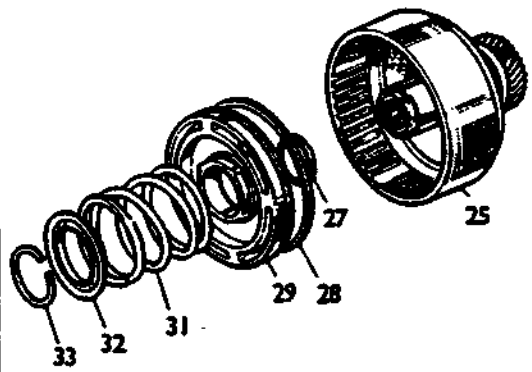
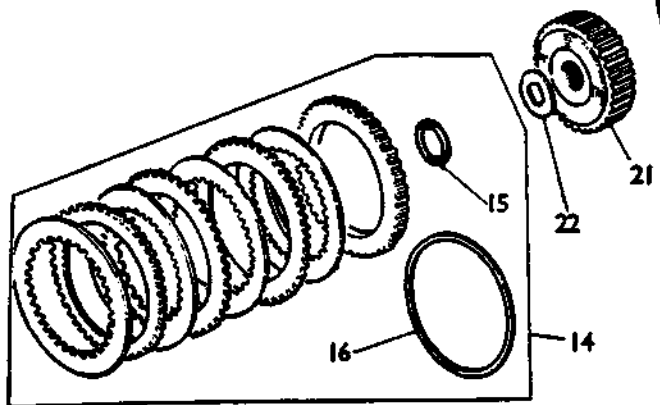
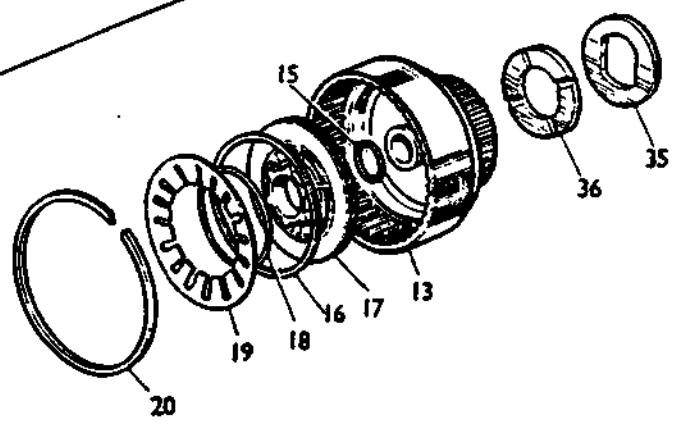
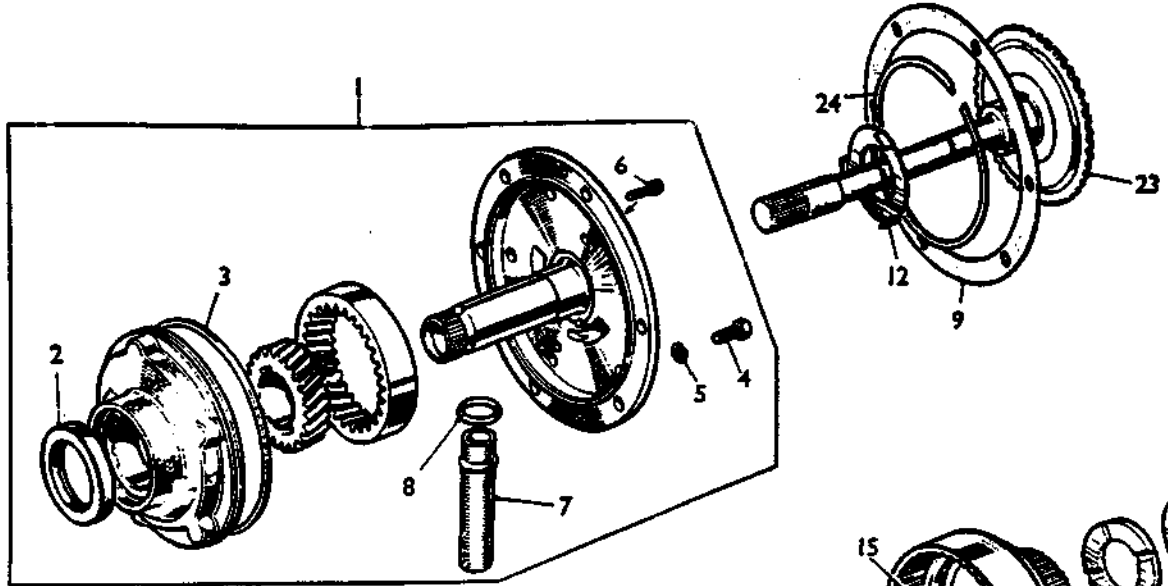


75

## GEARBOX (AUTOMATIC)

1.	<b>Gearbox &amp; converter assy.....</b>	22B421....1	22B421E
2.	<b>Coverter &amp; front cover.....</b>	27H2619...1	N.L.A
3.	<b>Housing-converter.....</b>	22B350....1	N.L.A
4.	<b>Screw.....</b>	NCS0507...6	SH505071
5.	<b>Washer-spring.....</b>	LWN305....6	LWZ305
6.	<b>Guard-stone.....</b>	27H6187...2	37H3729
7.	<b>Screw.....</b>	27H6866...4	
8.	<b>Case assembly-main.....</b>	18G8214...1	N.L.A
9.	<b>Connector-tube outlet-</b>		
	<b>oil cooler.....</b>	27H8605...2	N.L.A
10.	<b>Plug-pipe.....</b>	7H6842....1	N.L.A
11.	<b>Seal-oil-control shaft.....</b>	7H6845...2	GAB212
12.	<b>Screw-adjusting-rear servo....</b>	27H3844...1	N.L.A
13.	<b>Nut-lock.....</b>	27H3845...1	N.L.A
14.	<b>Lever-manual valve detent....</b>	27H8578...1	N.L.A
15.	<b>Pin-retaining.....</b>	27H8580...1	N.L.A
16.	<b>Pin-roll.....</b>	27H3298...1	N.L.A
17.	<b>Shaft-manual valve.....</b>	27H8579...1	N.L.A
18.	<b>Spring-manual valve bias.....</b>	27H3295...1	N.L.A
19.	<b>Ball.....</b>	BLS112....1	
20.	<b>Spring-manual valve detent....</b>	27H3299...1	N.L.A
21.	<b>Collar.....</b>	27H3297...1	N.L.A
22.	<b>Adaptor-tube connector.....</b>	7H6899....1	N.L.A
23.	<b>Switch-inhibitor.....</b>	27H8583...1	RTC1150
24.	<b>Pawl-parking brake.....</b>	17H3373...1	N.L.A
25.	<b>Link-toggle.....</b>	17H3374...1	N.L.A
26.	<b>Pin-toggle link.....</b>	17H3375...1	N.L.A
27.	<b>Lever-toggle.....</b>	17H3377...1	N.L.A
28.	<b>Pin-toggle(with spring).....</b>	27H8570...1	N.L.A
29.	<b>Pin-toggle.....</b>	17H3381...1	N.L.A
30.	<b>O'Ring.....</b>	17H3382...1	N.L.A
31.	<b>Pin-roll.....</b>	17H9208...1	N.L.A
32.	<b>Pin-parking brake anchor.....</b>	17H3384...1	N.L.A
33.	<b>Lever-toggle lift.....</b>	17H3385...1	N.L.A
34.	<b>Spring-toggle lever.....</b>	17H3386...1	N.L.A
35.	<b>Lever-torsion.....</b>	17H3387...1	N.L.A
36.	<b>Washer.....</b>	17H2427...1	N.L.A
37.	<b>Spring-retaining.....</b>	17H3388...1	N.L.A
38.	<b>Link-parking brake.....</b>	17H3631...1	N.L.A
39.	<b>Clip-linking rod.....</b>	17H3390...2	N.L.A
40.	<b>Cable-throttle valve control..</b>	27H8595...1	
41.	<b>Pan-oil.....</b>	27H3300...1	N.L.A
42.	<b>Gasket-oil pan.....</b>	27H3301...1	GAB411
43.	<b>Plug-drain.....</b>	27H2561...1	N.L.A
44.	<b>Bolt-retaining-oil pan.....</b>	NCS0505...15	SH505051
45.	<b>Washer-spring.....</b>	LWZ205...15	GHF332
46.	<b>Magnet.....</b>	27H2920...1	N.L.A
47.	<b>Housing assy-extension.....</b>	27H8598...1	N.L.A
48.	<b>Seal-oil.....</b>	27H3309...1	RTC447A
49.	<b>Gasket-extesion housing.....</b>	27H3310...1	GAB411
50.	<b>Bolt-housing to main case.....</b>	NCS0508...4	GHF163
51.	<b>Washer-spring.....</b>	LWN305....4	LWZ305

76

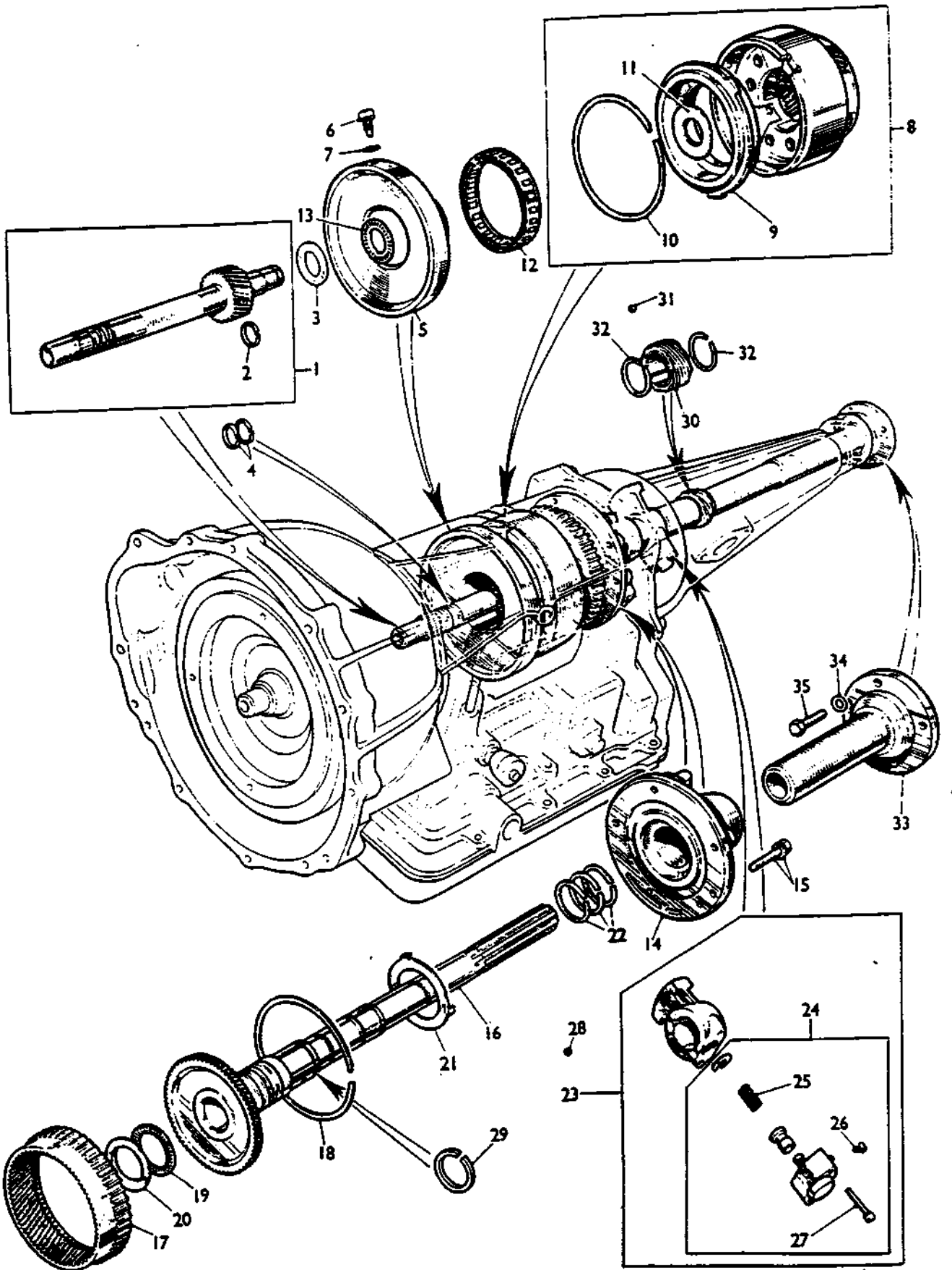




### GEARBOX (AUTOMATIC)-continued

1.	<b>Pump assembly-front</b> .....	27H2643...1	BAU1798
2.	<b>Seal-oil</b> .....	27H2308...1	BAU1034A
3.	<b>O'Ring</b> .....	17H3307...1	GAB212
4.	<b>Screw-pump to convertor support</b> .....	NCS0507...5	SH505071
5.	<b>Washer-spring</b> .....	LWN305...5	LWZ305
6.	<b>Screw &amp; lockwasher-pump to adaptor</b> .....	7H6871...1	N.L.A
7.	<b>Tube-pump-inlet</b> .....	17H2634...1	N.L.A
8.	<b>O'Ring-inlet tube</b> .....	17H3309...1	GAB212
9.	<b>Gasket-pump adaptor to convertor support</b> .....	7H6876...1	GAB411
10.	<b>Screw-pump to case</b> .....	NCS0507...6	SH505071
11.	<b>Washer-spring</b> .....	LWN305...6	LWZ305
12.	<b>Washer-thrust-input shaft</b> .....	7H6848...1	37H7952
13.	<b>Cylinder-front clutch</b> .....	27H8584...1	N.L.A
14.	<b>Plate assy-front clutch plate</b> .....	8G8921...1	18G8622
15.	<b>O'Ring-piston-inner</b> .....	17H3312...1	GAB212
16.	<b>Ring-sealing piston outer</b> .....	17H3314...1	GAB212
17.	<b>Piston-front clutch(with reed)</b> .....	17H6798...1	N.L.A
18.	<b>Ring-spring-bearing</b> .....	17H3315...1	N.L.A
19.	<b>Spring-front clutch</b> .....	17H3316...1	N.L.A
20.	<b>Ring-snap-spring</b> .....	17H3323...1	N.L.A
21.	<b>Hub-front clutch</b> .....	17H3321...1	N.L.A
22.	<b>Washer-thrust-hub</b> .....	7H6851...1	37H7952
23.	<b>Shaft-input(with bush)</b> .....	17H3322...1	N.L.A
24.	<b>Ring-snap-spring</b> .....	17H3323...1	N.L.A
25.	<b>Drum-front</b> .....	17H3324...1	N.L.A
26.	<b>Plate assy-rear clutch plate</b> .....	8G8922...1	GAB606
27.	<b>O'Ring-piston-inner</b> .....	17H3326...1	GAB212
28.	<b>Ring-sealing-piston outer</b> .....	17H3327...1	GAB212
29.	<b>Piston-rear clutch(with reed)</b> .....	17H6799...1	N.L.A
30.	<b>Ring-snap-rear clutch</b> .....	17H3323...1	N.L.A
31.	<b>Spring-rear clutch</b> .....	17H3332...1	N.L.A
32.	<b>Seat-spring</b> .....	17H3333...1	N.L.A
33.	<b>Ring-snap-spring seat</b> .....	17H3334...1	N.L.A
34.	<b>Ring-oil seal</b> .....	17H3335...3	AEU2868A
35.	<b>Washer-thrust(steel)</b> .....	7H6853...1	37H4705
36.	<b>Washer-thrust(bronze)</b> .....	7H6854...1	37H7952

78



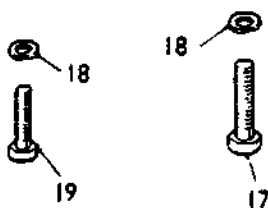
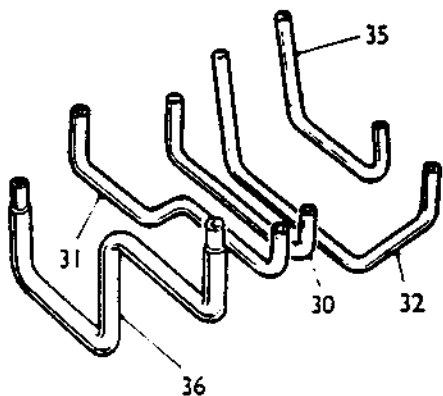
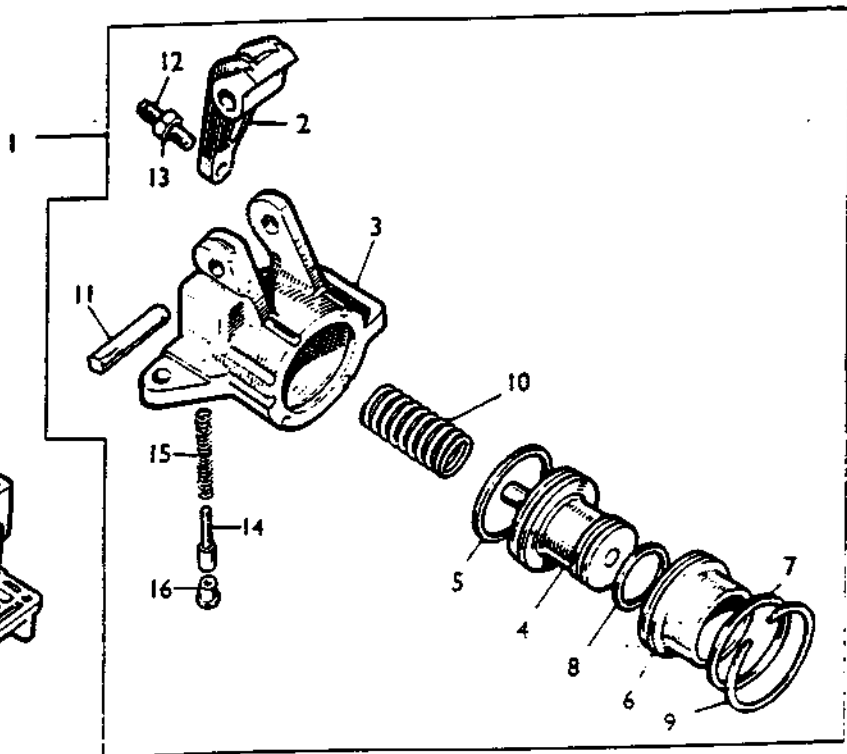
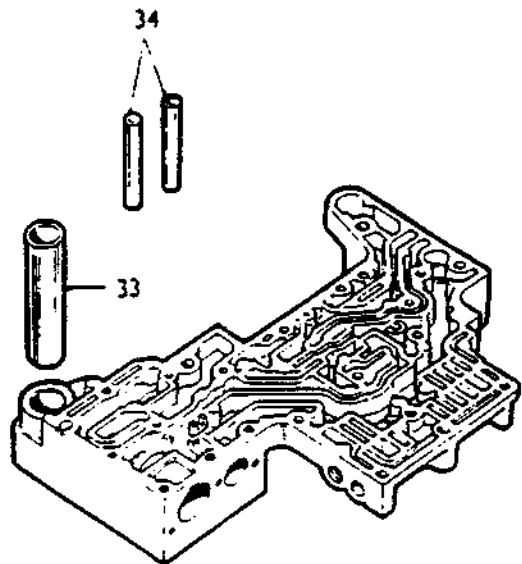


## GEARBOX (AUTOMATIC)-continued

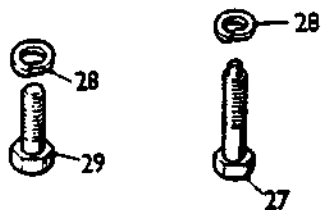
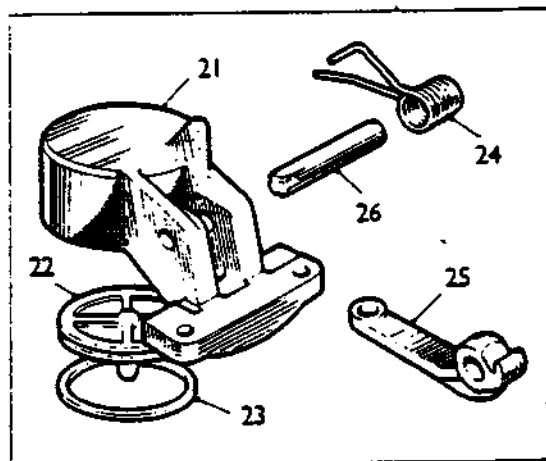
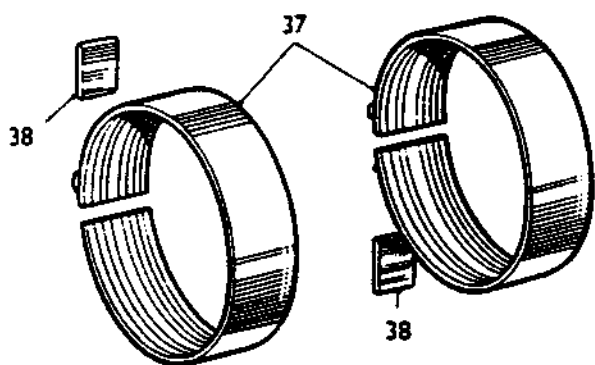
1.	Sun gear assy-forward.....	27H2640...1	N.L.A
2.	Ring-oil sealing.....	27H2641...1	N.L.A
3.	Bearing-needle thrust.....	27H6857...1	N.L.A
4.	Ring-oil sealing.....	17H3337...2	AEU2868A
5.	Support-centre(with plug)....	27H8585...1	N.L.A
6.	Screw-centre support.....	7H6855...2	N.L.A
7.	Washer-lock.....	7H6856...2	N.L.A
8.	<b>Planet cover,gears &amp; rear drum</b> <b>(with bearing plate)assy.....</b>	<b>27H3591...1</b>	<b>AEU1964A</b>
9.	Race-outer-one way clutch....	17H3341...1	N.L.A
10.	Ring-snap-outer race.....	17H3323...1	N.L.A
11.	Plate-bearing-needle-thrust...	27H3592...1	37H7952
12.	Clutch-one way.....	17H3342...1	N.L.A
13.	Bearing-needle-thrust.....	7H6857...1	N.L.A
14.	Plate-rear-adaptor.....	37H2059...1	N.L.A
15.	Bolt(with lockwasher).....	7H6858...5	N.L.A
16.	Shaft-driven(with bush & plug)	27H8586...1	N.L.A
17.	Gear-ring.....	17H3349...1	N.L.A
18.	Ring-snap.....	17H3350...1	N.L.A
19.	Bearing-needle thrust.....	17H3353...1	37H7952
20.	Plate-bearing-needle thrust...	7H6860...1	37H7952
21.	Washer-thrust-driven shaft...	7H6861...1	37H7952
22.	Ring-oil sealing.....	17H3347...3	AEU2868A
23.	<b>Governor assy(with sleeve)....</b>	<b>27H3303...1</b>	<b>N.L.A</b>
24.	<b>Governor assy(less sleeve)....</b>	<b>27H4647...1</b>	<b>N.L.A</b>
25.	Spring.....	17H6813...1	N.L.A
26.	Screw-lock.....	17H2429...2	N.L.A
27.	Screw & spring washer.....	7H6878...2	N.L.A
28.	Ball-governor driving.....	BLS108...1	
29.	Ring-snap-governor.....	17H3334...1	N.L.A
30.	Gear-speedometer drive.....	22B473...1	N.L.A
31.	Ball-speedometer gear driving.	BLS106...1	
32.	Ring-snap-speedo gear.....	27H8597...2	N.L.A
33.	Flange-coupling.....	27H8599...1	N.L.A
34.	Washer-plain.....	27H8600...1	N.L.A
35.	Screw-coupling flange.....	27H8601...1	N.L.A



80



20

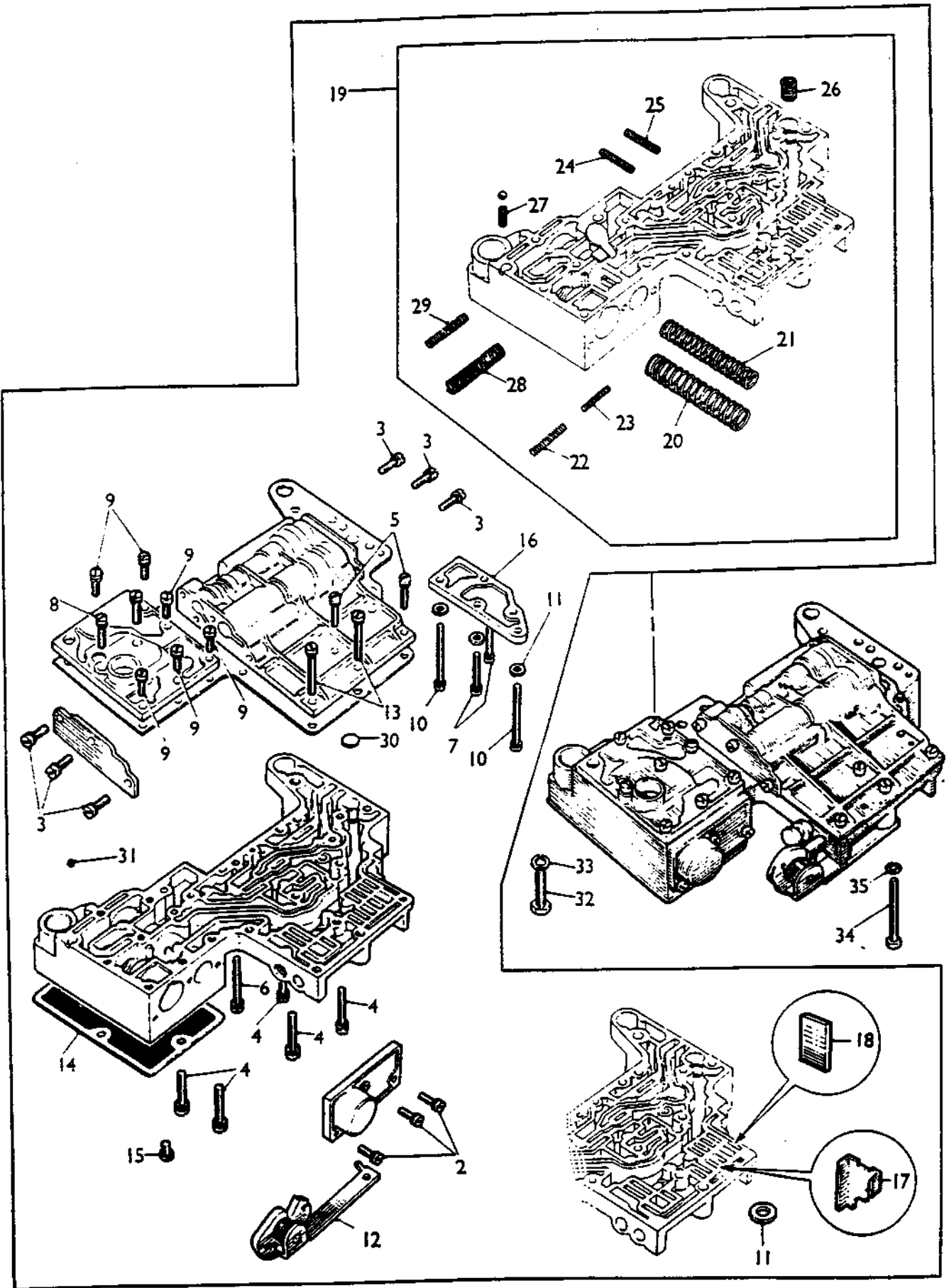


81

## GEARBOX (AUTOMATIC)-continued

1.	Servo assy-front.....	27H8587...1	N.L.A
2.	Lever.....	17H3355...1	N.L.A
3.	Body.....	27H8588...1	N.L.A
4.	Piston(with pin).....	27H2622...1	N.L.A
5.	O'Ring.....	27H2623...1	N.L.A
6.	Sleeve.....	27H2624...1	N.L.A
7.	Ring-oil sealing.....	17H3360...1	GAB212
8.	O'Ring.....	17H3361...1	GAB212
9.	Ring-snap.....	27H2625...1	N.L.A
10.	Spring.....	17H3363...1	N.L.A
11.	Pin-lever pivot.....	27H5947...1	N.L.A
12.	Screw-servo adjusting.....	7H6862...1	N.L.A
13.	Nut-locking.....	7H6863...1	N.L.A
14.	Valve-front servo exhaust.....	27H8589...1	N.L.A
15.	Spring-exhaust.....	27H8590...1	N.L.A
16.	Retainer-release tube.....	27H8591...1	N.L.A
17.	Bolt-servo to case.....	NCS0511...1	SH505111
18.	Washer-spring.....	LWN305...2	LWZ305
19.	Bolt-servo to case.....	NCS0508...1	SH505081
20.	Servo assy-rear.....	27H8602...1	
21.	Body.....	27H8592...1	N.L.A
22.	Piston.....	27H8593...1	N.L.A
23.	O'Ring.....	17H3368...1	
24.	Spring.....	27H3787...1	N.L.A
25.	Lever.....	17H3372...1	N.L.A
26.	Pin-lever pivot.....	27H3788...1	N.L.A
27.	Screw-servo to case.....	7H6866...1	N.L.A
28.	Washer-lock.....	LWN206...2	GHF333
29.	Bolt-servo to case.....	NCS0612...1	SH506121
30.	Tube-front servo apply.....	17H3398...1	N.L.A
31.	Tube-front servo release.....	27H2629...1	N.L.A
32.	Tube-rear clutch.....	27H3287...1	N.L.A
33.	Tube-front pump outlet.....	27H3288...1	N.L.A
34.	Tube-converter in & out.....	27H3290...2	N.L.A
35.	Tube-rear servo.....	27H3291...1	N.L.A
36.	Tube-oil cooler inlet.....	27H4724...1	N.L.A
37.	Band-brake.....	17H3391...2	N.L.A
38.	Strut-servo.....	17H3392...2	N.L.A

82



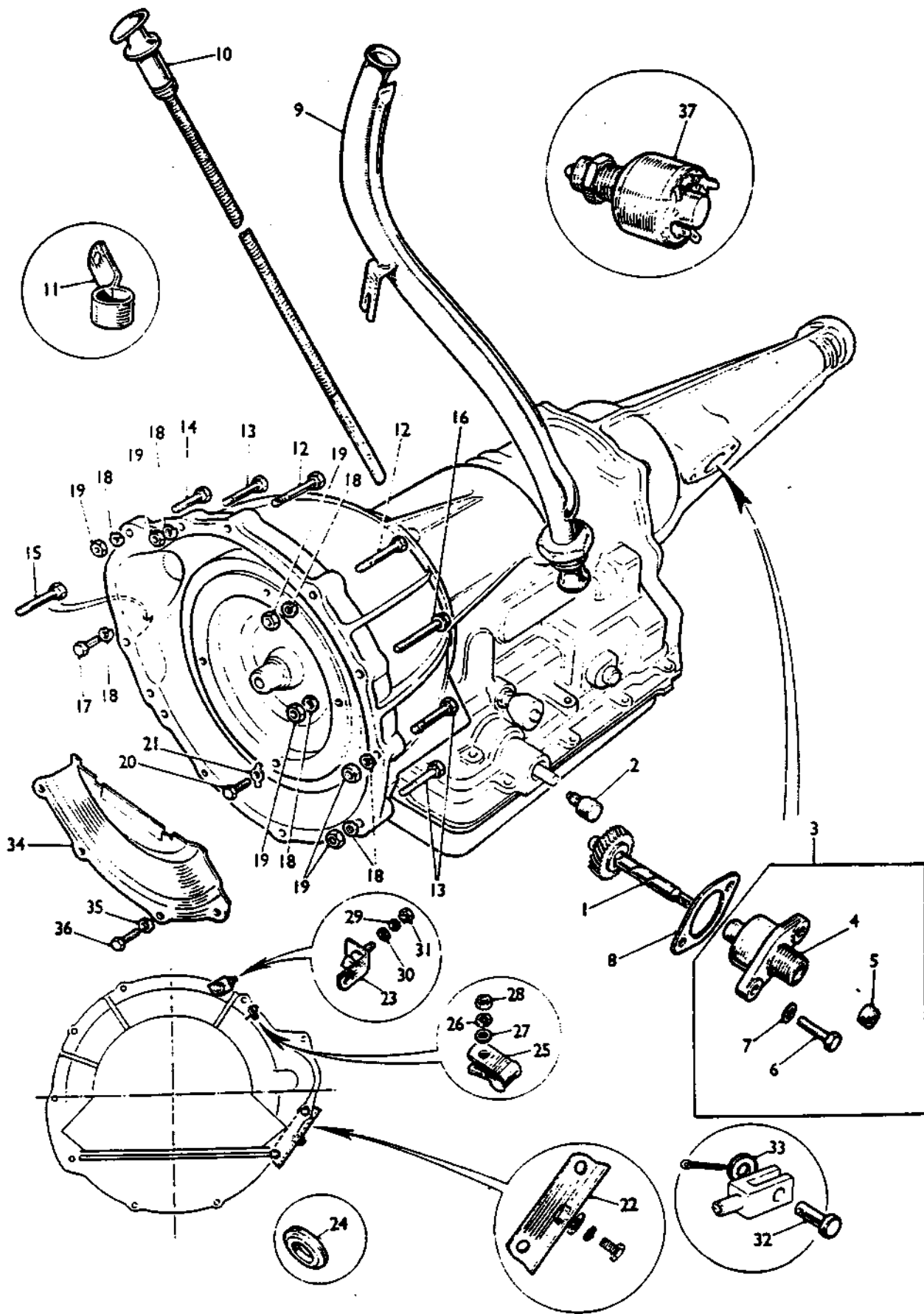
83

## GEARBOX (AUTOMATIC)-continued

1.	Body assy-valve.....	37H2050...1	N.L.A
2.	Screw-end plate to lower valve body.....	27H2644...3	N.L.A
3.	Screw-plate-front & rear to upper body.....	7H6873....6	N.L.A
4.	Screw-upper to lower body.....	7H6870....5	N.L.A
5.	Screw-upper to lower body.....	7H6871....2	N.L.A
6.	Screw-upper to lower body.....	7H6872....1	N.L.A
7.	Screw-governor line plate to body.....	7H6780....2	N.L.A
8.	Screw-plate-oil tube to body..	7H6868....2	N.L.A
9.	Screw-plate-oil tube to body..	7H6869....6	N.L.A
10.	Screw-governor line plate to body.....	7H6875....2	N.L.A
11.	Washer-plain-line plate screw.	17H2428...2	N.L.A
12.	Cam-downshaft valve.....	7H6900....1	N.L.A
13.	Screw-cam bracket to body.....	17H8120...2	N.L.A
14.	Strainer-oil pump.....	27H9338...1	
15.	Screw-Strainer to body.....	7H6873....4	N.L.A
16.	Plate-governor line.....	17H3394...1	N.L.A
17.	Plate-stop-throttle valve.....	37H2096...1	N.L.A
18.	Stop-throttle valve.....	37H2097...1	N.L.A
19.	Spring set-valve.....	8G8789....1	N.L.A
20.	Spring-primary regulating valve.....	17H6801...1	N.L.A
21.	Spring-secondary regulating valve.....	17H6802...1	N.L.A
22.	Spring-throttle valve.....	17H6803...1	N.L.A
23.	Spring-throttle return.....	17H6921...1	N.L.A
24.	Spring-servo orifice control..	17H6804...1	N.L.A
25.	Spring-modulator valve.....	17H6805...1	N.L.A
26.	Spring-pump check valve.....	17H6806...1	N.L.A
27.	Spring-converter check valve..	17H6807...1	N.L.A
28.	Spring-2-3 shift valve inner..	17H6808...1	N.L.A
29.	Spring-1-2 shift valve.....	17H6809...1	N.L.A
30.	Valve-check-pump.....	17H9207...1	N.L.A
31.	Ball.....	BLS108....1	
32.	Bolt-valve body assy to case..	NCS0401...1	SH504101
33.	Washer-spring.....	LWN304....1	GHF331
34.	Bolt-valve body assy to case..	NCS0416...2	SH504161
35.	Washer-spring.....	LWN304....2	GHF331

17  
MGC3

44

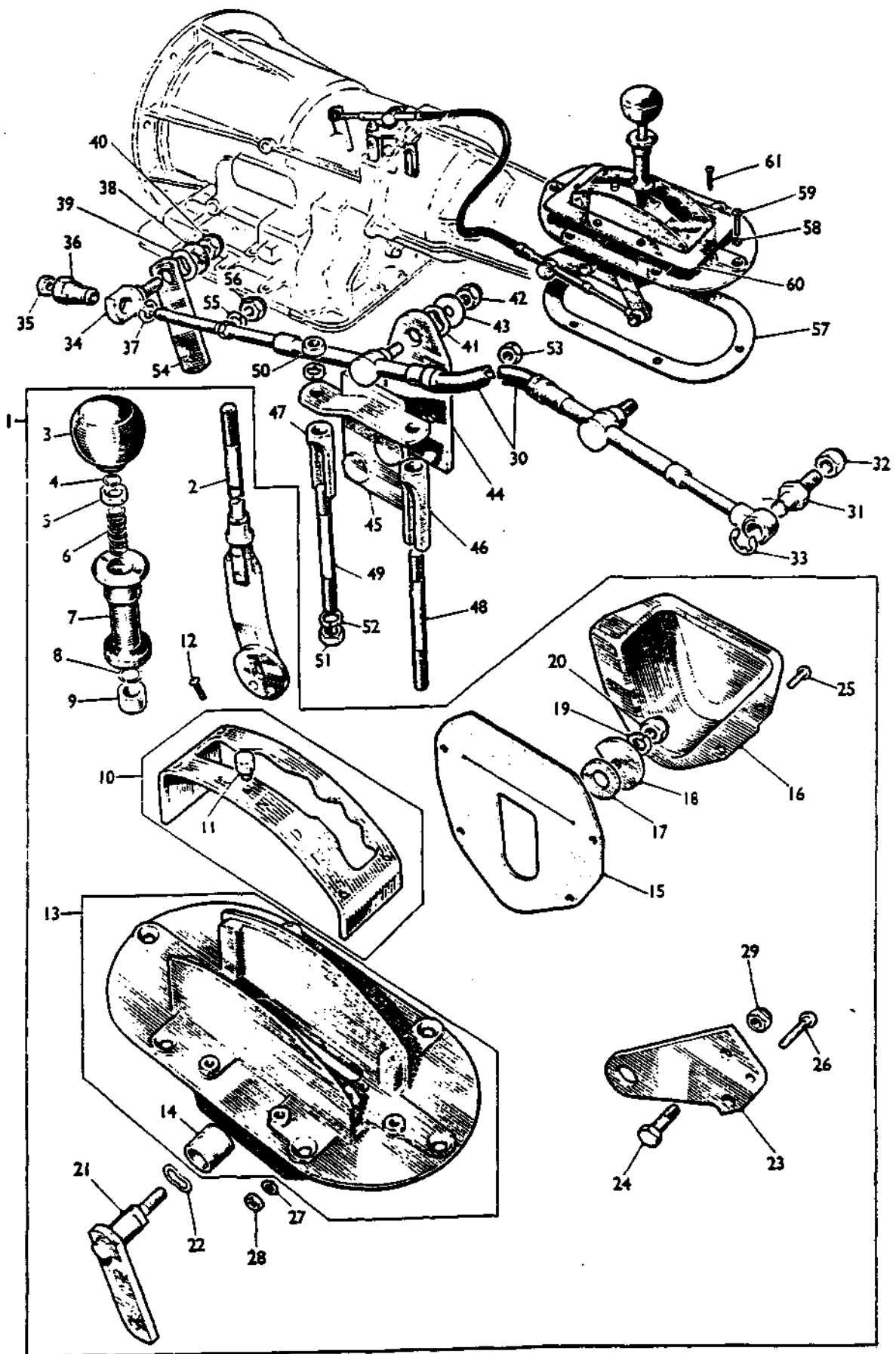


85

## GEARBOX (AUTOMATIC)-continued

1.	Pinion-speedometer(26 teeth)..22B471....1	N.L.A
2.	Button-thrust-speedo pinion...1A3073....1	
3.	<b>Bush assy-speedometer</b> (with oil seal).....8G2543....1	N.L.A
4.	Bush-pinion.....22H29....1	
5.	Oil seal.....13H4024...1	AAU2304A
6.	Screw-bush.....HZS0406...2	SH604061
7.	Washer-shakeproof.....LWZ404...2	GHF321
8.	Gasket-pinion bush.....22H903....1	
9.	Tube-oil filter(with breather)AHC753....1	N.L.A
10.	Indicator-oil level.....AHC370....1	
11.	Clip-cable.....12H852....1	N.L.A
12.	Bolt-converter housing to crankcase.....HBZ0624...2	GHF126
13.	Bolt-converter housing to rear plate-long.....HBZ0622...3	BH606221
14.	Bolt-converter housing to rear plate-short.....HBZ0620...1	BH606201
15.	Bolt-converter housing to starter.....HBZ0622...1	BH606221
16.	Dowel-bolt-housing to rear plate.....22B352....2	N.L.A
17.	Screw-starter to rear plate...HZS0609...1	SH606091
18.	Washer-spring.....LWZ306...10	GHF333
19.	Nut.....FNZ106....7	GHF202
20.	Screw-drive plate to converter.....22B231....4	N.L.A
21.	Washer-lock.....12H537....4	
22.	Bracket-oil cooler pipe clip..22B517....1	N.L.A
23.	Bracket-wiring clip.....22B512....1	N.L.A
24.	Washer-packing.....AMK1580...1	12H2178
25.	Clip-wiring.....PCR507....1	CP105081
26.	Washer-lock.....LWZ203....1	WL700101
27.	Washer-plain.....PWZ203....1	
28.	Nut-weld bolt.....ANZ103....1	N.L.A
29.	Washer-shakeproof.....LWZ605....1	GHF321
30.	Washer-plain.....PWZ204....1	
31.	Nut-lock.....LNZ204....1	GHF221
32.	Pin-clevis-kickdown.....CLZ0309...1	N.L.A
33.	Washer-plain.....PWZ203....1	
34.	Guard-stone-converter housing.22B555....1	N.L.A
35.	Washer-spring.....LWZ205....4	GHF332
36.	Screw.....ZCS0505...4	SH505051
37.	Switch-inhibitor and reverse light.....88G481....1	RTC1150

86

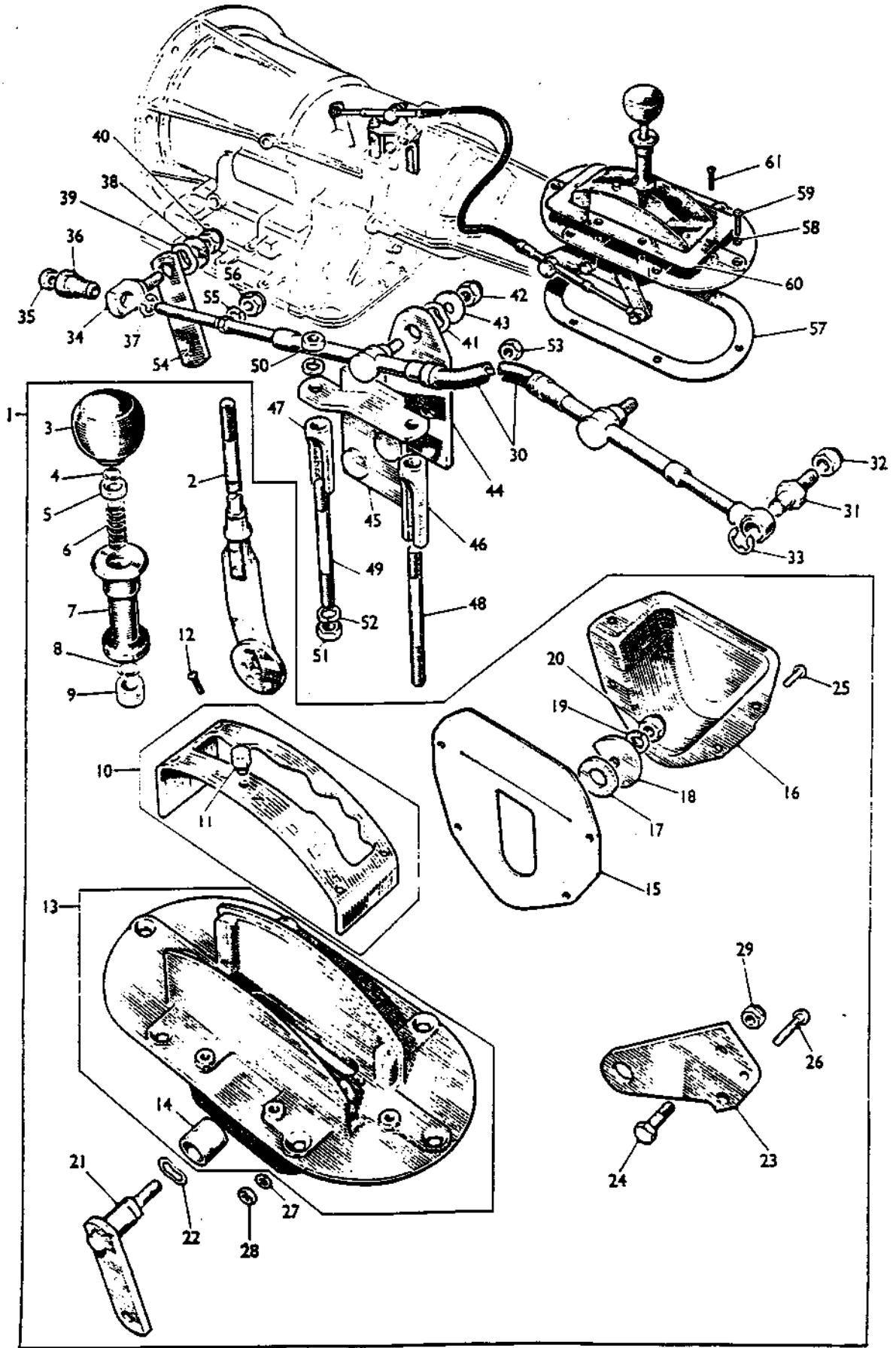


**GEARBOX (AUTOMATIC)-continued  
GEAR CONTROLS**

1.	Selector assy.....	AHC319....1	N.L.A
2.	Lever-gear selector.....	AHC203....1	N.L.A
3.	Knob-lever.....	AHC195....1	N.L.A
4.	Circlip-knob.....	BHA4568...1	N.L.A
5.	Washer.....	AHC196....1	
6.	Spring-reverse baulk return...	AHC197....1	N.L.A
7.	Pillar-reverse baulk.....	AHC198....1	N.L.A
8.	Circlip.....	BHA4569...1	N.L.A
9.	Roller.....	AHC199....1	N.L.A
10.	Plate-gate(with stud).....	AHC200....1	N.L.A
11.	Stud.....	AHC201....1	N.L.A
12.	Screw-plate to housing.....	RMP0208...4	N.L.A
13.	Housing-gear selector (with bearing).....	AHC202....1	N.L.A
14.	Bearing-fulcrum pin(bronze)...	LBS0910...1	N.L.A
15.	Seal-selector control.....	AHC207....1	N.L.A
16.	Cover-gear selector.....	AHC208....1	N.L.A
17.	Washer-nylon.....	AHC209....1	N.L.A
18.	Washer-special.....	AHC210....1	N.L.A
19.	Washer-spring.....	LWZ205....1	GHF332
20.	Nut-locking.....	LNZ205....1	GHF222
21.	Pin-fulcrum.....	AHC211....1	N.L.A
22.	Washer-anti rattle.....	AWZ109....1	N.L.A
23.	Bracket-abutment-housing.....	AHC214....1	N.L.A
24.	Screw-bracket to housing.....	HZS0406...2	SH604061
25.	Screw-cover to housing(short)...	PMZ0308...3	PMZ308
26.	Screw-cover to housing(long)...	PMZ0314...1	PMZ314
27.	Washer-spring.....	LWZ203....4	WL700101
28.	Nut.....	FNZ103....4	GHF206
29.	Nut-lock.....	LNZ604....2	N.L.A
30.	Cable -selector control.....	AHC312....1	N.L.A
31.	Trunnion-lever to cable.....	AHC225....1	N.L.A
32.	Nut-nyloc(thin).....	53K1662...1	GHF272
33.	Circlip.....	BHA4567...1	N.L.A
34.	Trunnion-cable to lever on box.....	AHC227....1	N.L.A
35.	Nut-locking.....	FNZ204....1	NT604041
36.	Nut.....	AHC226....1	N.L.A
37.	Circlip.....	BHA4570...1	N.L.A
38.	Washer-plain.....	PWZ205....1	
39.	Washer-anti rattle.....	AWZ108....1	N.L.A
40.	Nut-nyloc-cable to lever.....	53K1662...1	GHF272
41.	Washer-anti rattle.....	AWZ108....2	N.L.A
42.	Nut-nyloc-trunnions to brackets.....	53K1662...2	GHF272
43.	Washer-plain.....	PWZ205....2	
44.	Plate-mounting-gearbox.....	AHC304....1	N.L.A
45.	Bracket-cable abutment-bottom...	AHC308....1	N.L.A
46.	Distance piece-long.....	AHC221....1	N.L.A
47.	Distance piece-short.....	AHC307....1	N.L.A
48.	Stud-mounting-long.....	AHC222....1	N.L.A
49.	Stud-mounting-short.....	AHC306....1	N.L.A
50.	Nut.....	FNZ105....2	GHF201



88

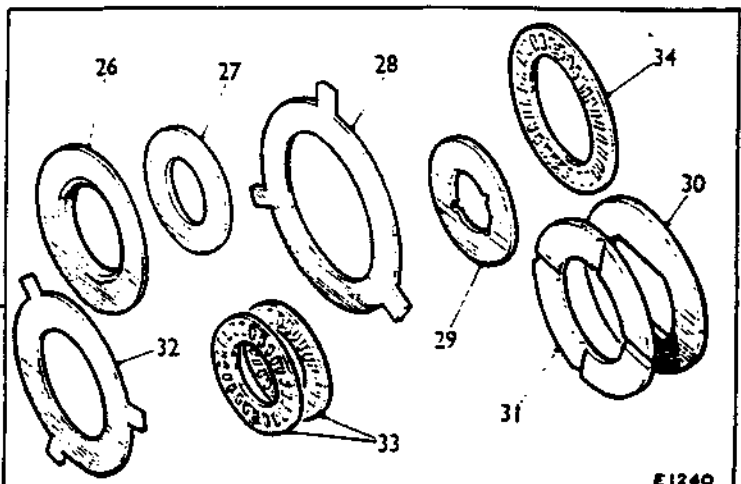
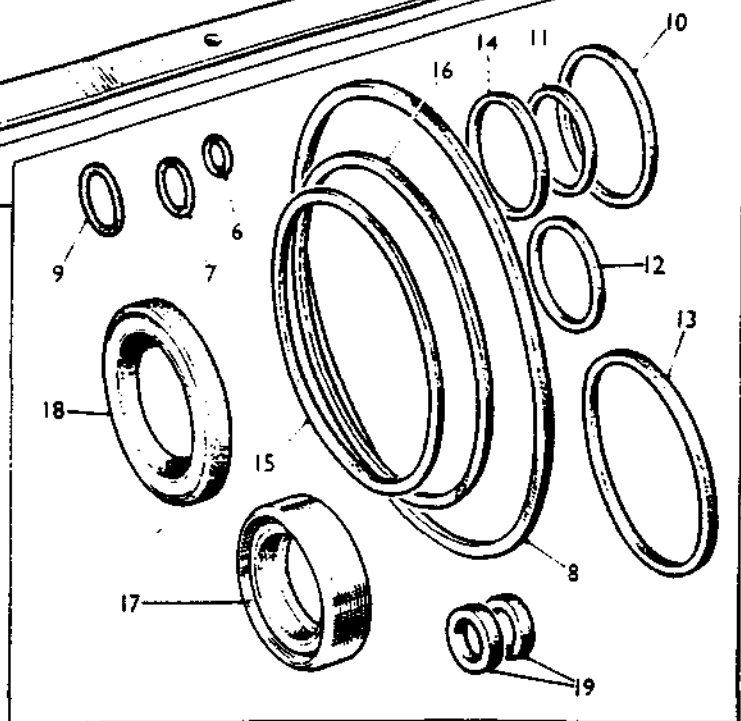
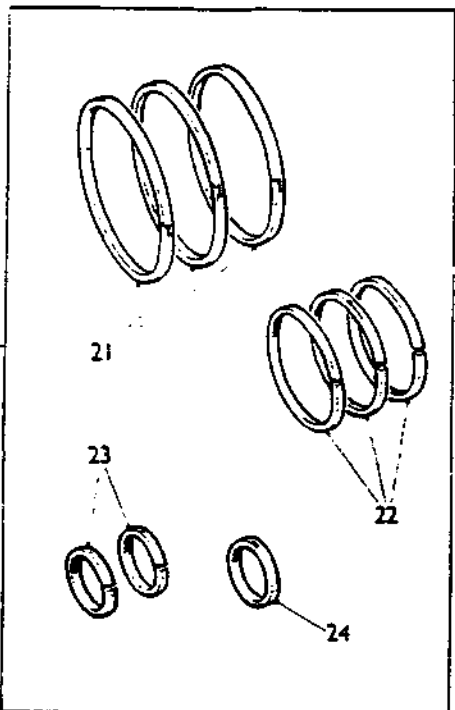
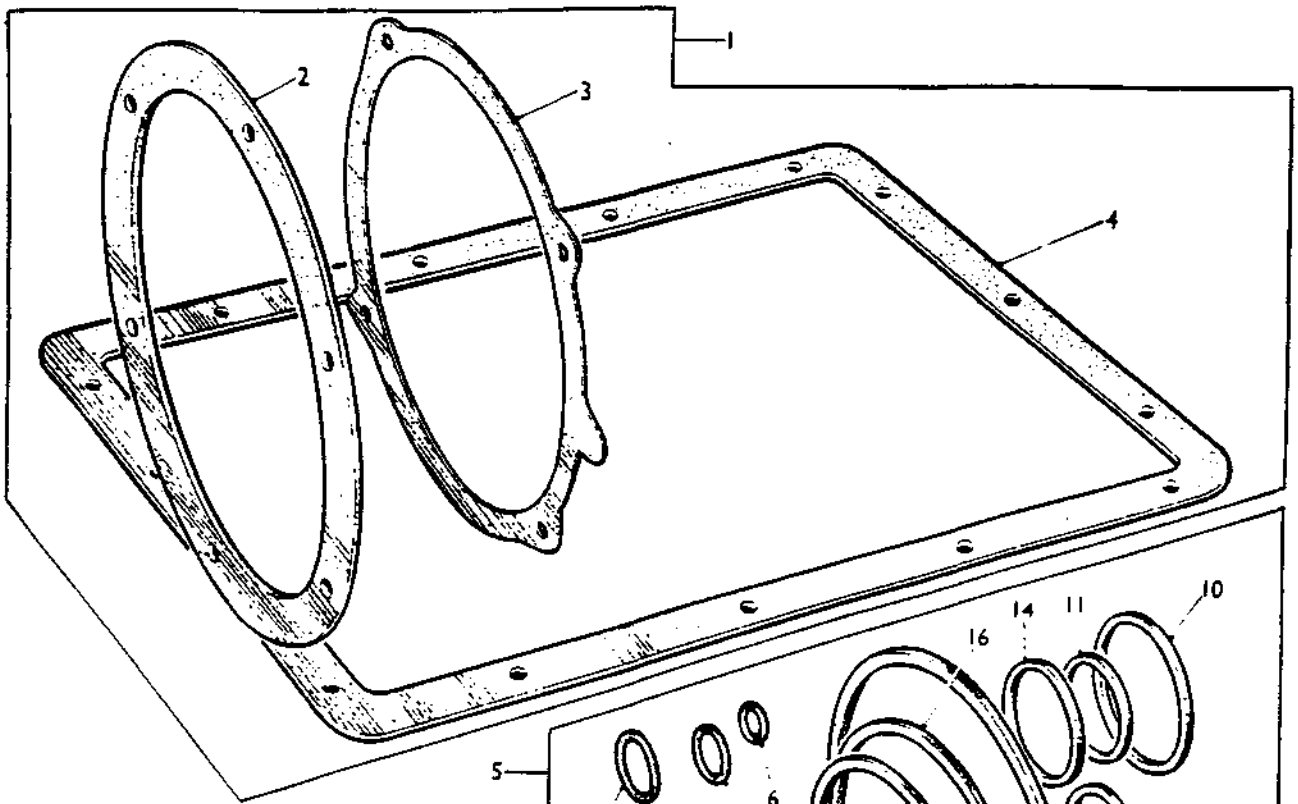


**GEARBOX (AUTOMATIC)-continued  
GEAR CONTROLS**

(89)

51.	Nut.....	53K1712...2	N.L.A
52.	Washer-spring.....	LWZ305....4	GHF332
53.	Nut-mounting plate to abutment bracket.....	AHC224....2	N.L.A
54.	Lever-gearbox.....	AHC223....1	N.L.A
55.	Washer-spring.....	LWZ305....1	GHF332
56.	Nut-lever to gearbox.....	FNZ105....1	GHF201
57.	Seal-housing to tunnel.....	AHC188....1	
58.	Washer-shakeproof.....	BHA4566...6	N.L.A
59.	Screw-housing to tunnel.....	CMZ0410...6	SF604051
60.	Retainer-carpet.....	AHC215....1	N.L.A
61.	Screw-retainer to housing.....	AHC216....6	N.L.A

90



## GEARBOX SERVICE KITS (AUTOMATIC)

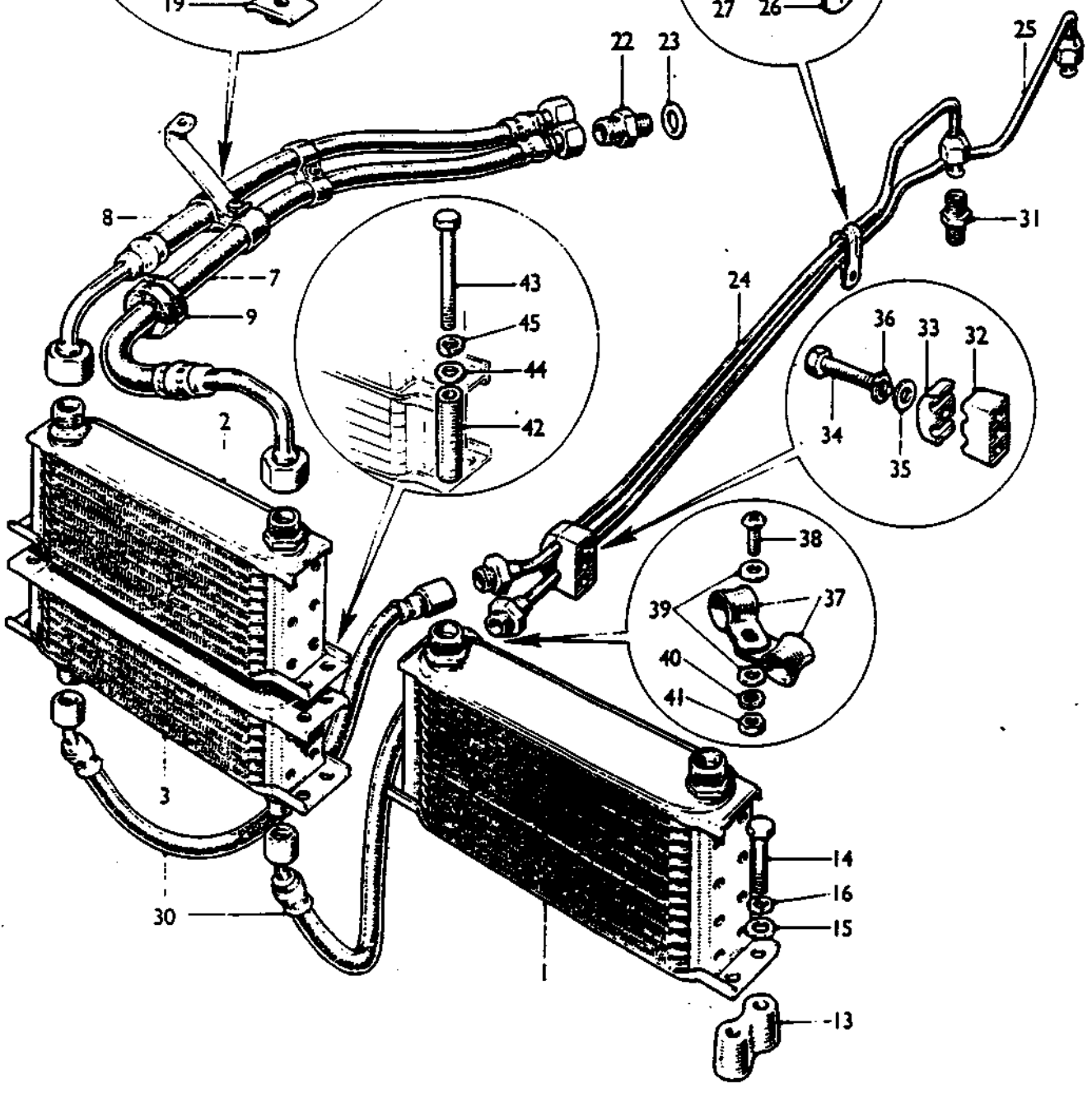
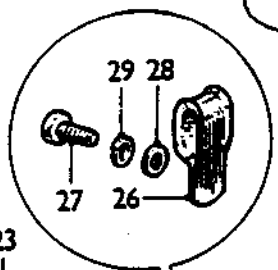
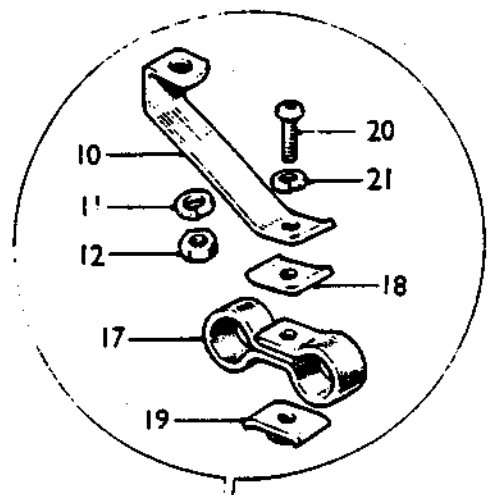
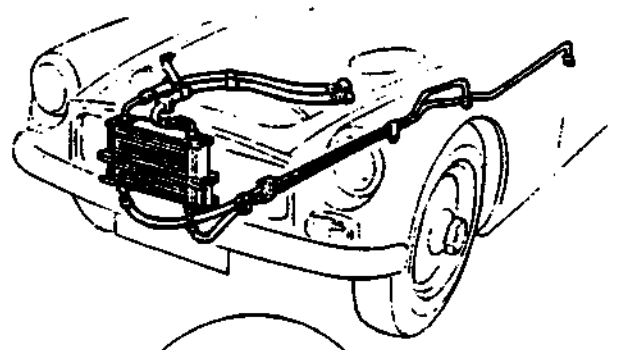
(91)

Not illustrated correct filter for BWT35 available with pan gasket

1.	<b>Kit-gasket</b> .....	8G8680....1	GAB411	included in seal/gasket kit below
2.	Gasket-pump adaptor & converter support.....	7H6876....1	GAB411	
3.	Gasket-extension to case.....	27H3310...1	GAB411	
4.	Gasket-oil pan.....	27H3301...1	GAB411	Pan gasket is available separately
5.	<b>Kit-oil seal &amp; rubber ring</b> ....	18G8007...1	GAB212	included in seal/gasket kit below
6.	O'Ring-parking pawl toggle pin	17H3382...1	GAB212	
7.	O'Ring-oil pump inlet tube....	17H3309...1	GAB212	
8.	O'Ring-front pump.....	17H3307...1	GAB212	
9.	O'Ring-front clutch inner piston seal.....	17H3312...1	GAB212	
10.	O'Ring-front servo.....	27H2623...1	GAB212	
11.	O'Ring-front servo.....	17H3361...1	GAB212	
12.	O'Ring-rear clutch inner piston seal.....	17H3326...1	GAB212	
13.	O'Ring-rear servo.....	17H3368...1	GAB212	
14.	Ring-sealing-front servo.....	17H3360...1	GAB212	
15.	Ring-sealing- front clutch piston.....	17H3314...1	GAB212	
16.	Ring-sealing-rear clutch outer piston seal.....	17H3327...1	GAB212	
17.	Oil seal-extension housing....	27H3309...1	RTC447A	
18.	Oil seal-front pump.....	27H2308...1	BAU1034A	
19.	Oil seal-manual control shaft.	7H6845....2	GAB212	
20.	<b>Kit-sealing ring</b> .....	8G8679....1	AEU2868A	KA offers the seal and gasket kit, the clutch disc kit, and both as the Master Rebuild kit
21.	Ring-sealing-clutch to centre support.....	17H3335...3	AEU2868A	
22.	Ring-sealing-pump to output shaft.....	17H3347...3	AEU2868A	
23.	Ring-sealing-sun gear to front clutch.....	17H3337...2	AEU2868A	
24.	Ring-sealing-sun gear to output shaft.....	27H2641...1	AEU2868A	
25.	<b>Kit-thrust washer &amp; plate</b> ....	18G8008...1	37H7952	Kit available with all clutches and hard parts
26.	Plate-thrust-output shaft to main case.....	7H6860....1	N.L.A	
27.	Plate-thrust-rear sun gear....	27H3592...1	37H7952	
28.	Thrust washer-driven shaft....	7H6871....1	37H7952	
29.	Thrust washer-front clutch hub	7H6851....1	37H7952	
30.	Thrust washer-front clutch cylinder.....	7H6853....1	37H4705	
31.	Thrust washer-front clutch cylinder.....	7H6854....1	37H7952	
32.	Thrust washer-input shaft....	7H6848....1	N.L.A	
33.	Thrust washer-needle roller...	7H6857....2	N.L.A	
34.	Thrust washer-needle roller...	17H3353...1	37H7952	

KA can rehab clutch band and drum cores

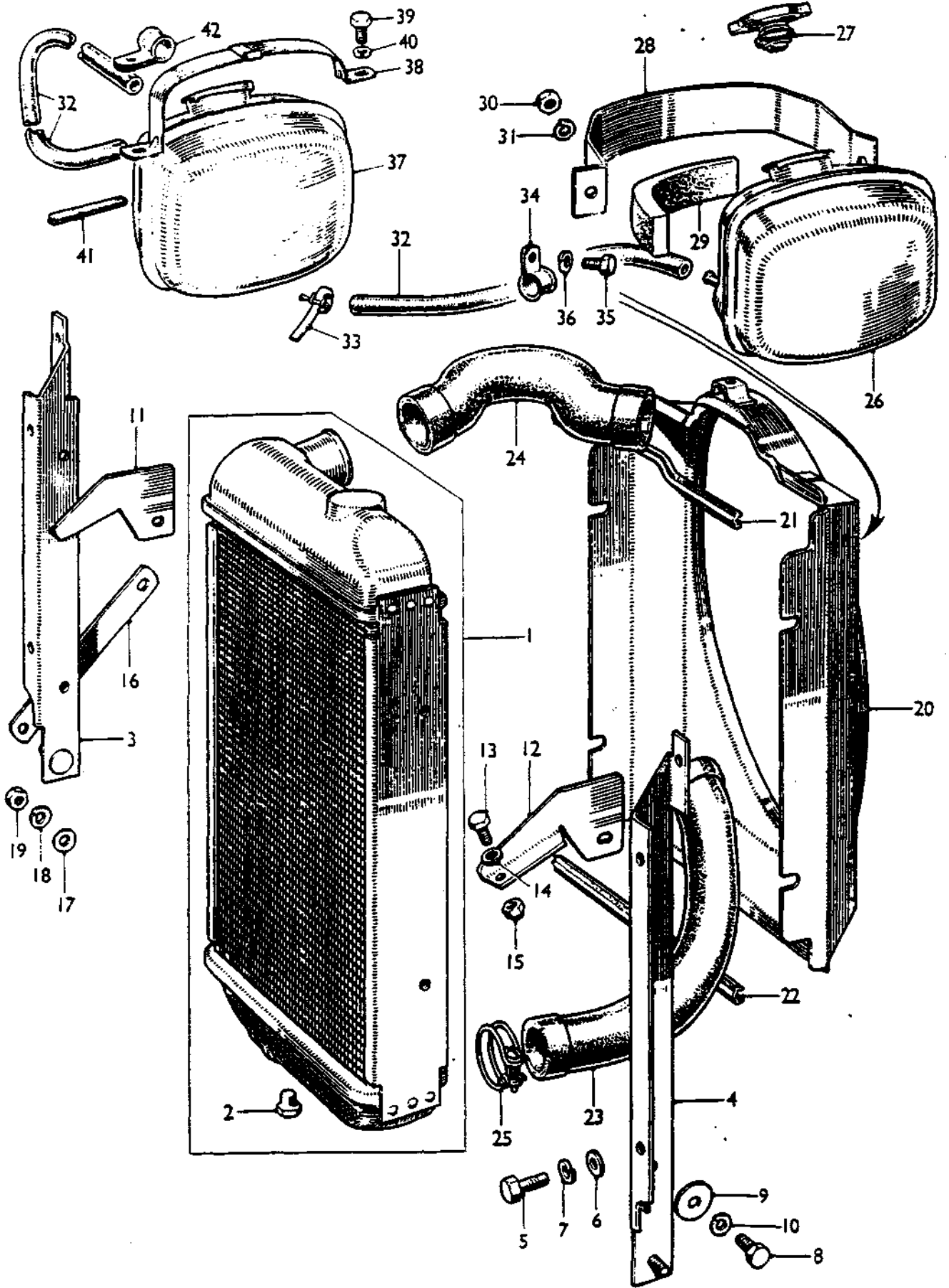
92



## OIL COOLER

1.	Engine.....	ARO9809....1	ARA221	AUTOMATIC
2.	Engine.....	ARH186....1	ARO9807	
3.	Gearbox.....	ARO9804....1		
7.	Pipe, flexible, inner.....	AHC323....1		
8.	Pipe, flexible, outer.....	AHC324....1		
9.	Grommet, inner hose.....	AHH6551....1	AHA8401	
9.	Grommet, inner hose.....	AHA8401....1		
10.	Bracket, hose, cooler.....	AHC325....1	N.L.A.	
11.	Washer, spring.....	LWZ205....1		
12.	Nut.....	FNZ105....1	GHF201	
13.	Pedestal, oil cooler.....	AHC322....2		
14.	Bolt.....	HBZ0413...4	BH604131	
15.	Washer, plain.....	PWZ104....4	GHF300	
16.	Washer, spring.....	LWZ204....4	GHF331	
17.	Clip, strap (rubber).....	AHH6865....2		
18.	Plate, clamp, strap clip.....	AHH6866....1		
19.	Plate, clamp, strap clip.....	AHA8390....2	available in kit	These parts are all included in a kit PN AHH6866K as of 2016
20.	Screw.....	FMZ0314....2	PMZ2314	
21.	Washer, spring.....	LWZ203....2	WL700101	
22.	Union, Adaptor.....	AHH6701....1		
23.	Washer, adapter union.....	6K 431....1	6K431	
24.	Pipe, flexible to outer.....	AHC391....1	N.L.A.	
25.	Pipe, flexible to inner.....	AHC392....1	N.L.A.	
26.	Clip, pipe.....	AHH6690....1	N.L.A.	
27.	Screw.....	53K 126....1	53K126	
28.	Washer.....	AJD7202....1	N.L.A.	
29.	Washer, spring.....	LWZ203....1	WL700101	
30.	Pipe, flexible, gearbox cooler to rigid pipe.....	AHC335....2		
31.	Connector, automatic gearbox to pipe.....	AHC394....2	N.L.A.	
32.	Support block, pipes.....	AHC395....1	N.L.A.	
33.	Cap, support block.....	AHC396....1	N.L.A.	
34.	Bolt.....	HBZ0516....1	BH605161	AUTOMATIC
35.	Washer, plain.....	PWZ105....1	GHF301	
36.	Washer, spring.....	LWZ205....1	WL600051	
37.	Clip, flexible pipe to gearbox.....	AHC627....2	N.L.A.	
38.	Screw.....	FMZ0310....1	FMZ310	
39.	Washer, plain.....	PWZ103....2	GHF306	
40.	Washer, spring.....	LWZ203....1	WL700101	
41.	Nut.....	ANZ103....1	N.L.A.	
42.	Tube, distance, gearbox cooler..	AHC336....4	N.L.A.	
43.	Bolt.....	HBZ0422...4	N.L.A.	
44.	Washer, plain.....	PWZ104....4	GHF300	
45.	Washer, spring.....	LWZ204....4	GHF331	

94



95

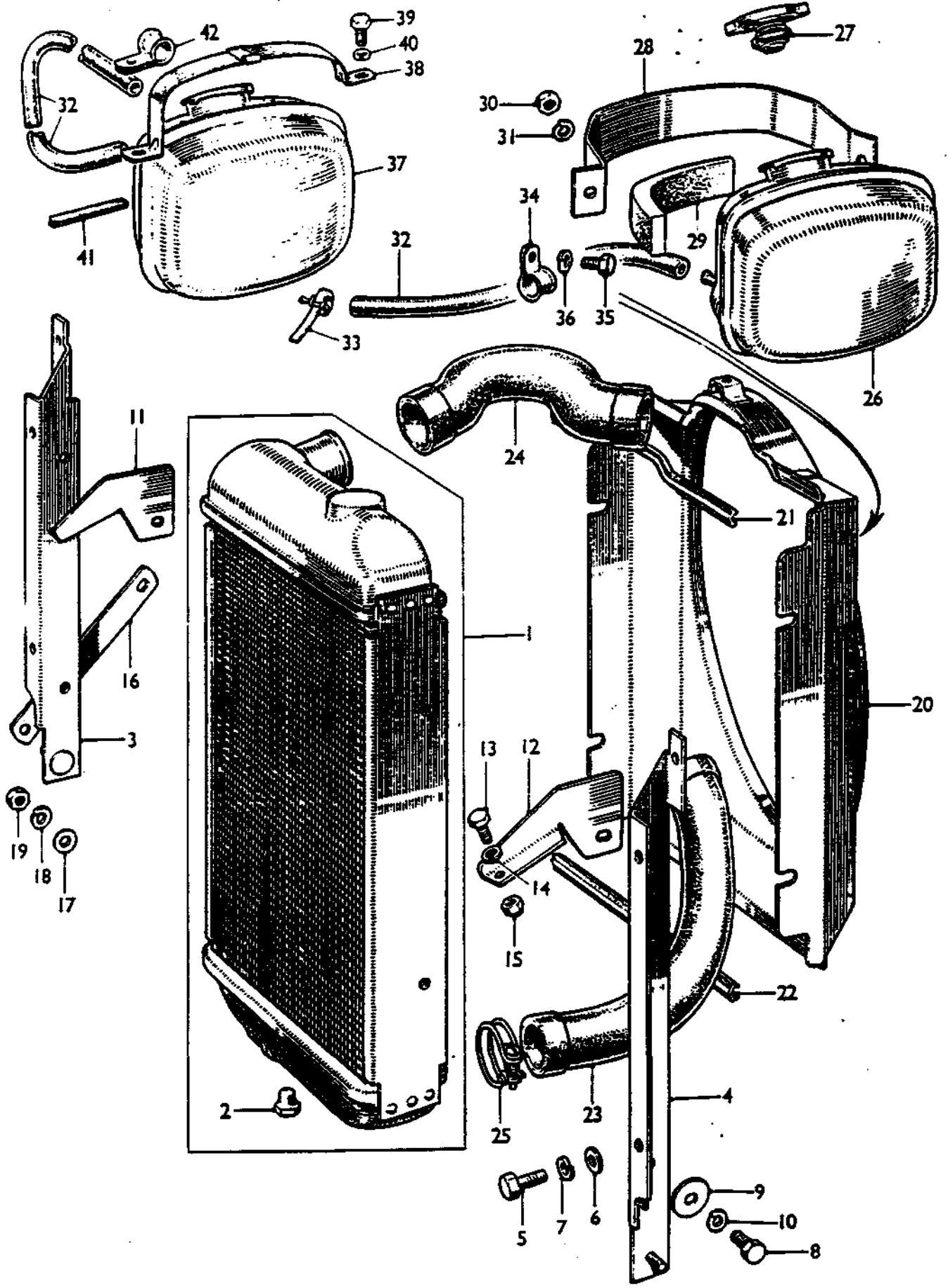
**RADIATOR AND FITTINGS**

1.	Radiator assembly.....	ARC54.....	1	ARB134E	
2.	Plug, drain.....	ARA1618....	1		
3.	Bracket, radiator mounting-RH..	AHC142....	1	N.L.A.	
4.	Bracket, radiator mounting-LH..	AHC143....	1	N.L.A.	
5.	Screw.....	HZS0505....	4	SH605051	
6.	Washer, plain.....	PWZ105....	4	GHF301	
7.	Washer, spring.....	LWZ205....	4	WL600051 GHF332	
8.	Screw.....	HZS0505....	4	SH605051	
9.	Washer, plain.....	PWZ205....	4		
10.	Washer, spring.....	LWZ205....	4	GHF332	
11.	Bracket, radiator tie, upper-RH.	AHC148....	1	KA available AHC148/9 available as of June 2017	
12.	Bracket, radiator tie, upper-LH.	AHC149....	1		
13.	Screw.....	53K126....	2		
14.	Washer, spring.....	LWZ203....	2	WL700101	
15.	Nut.....	LNZ203....	2	NY910041 suggest GHF220 nyloc	
16.	Tie, radiator lower.....	AHC145....	1	N.L.A.	
17.	Washer, plain.....	PWZ105....	4	GHF301	
18.	Washer, spring.....	LWZ205....	4	GHF332	
19.	Nut.....	FNZ105....	4	GHF201	
20.	Cowl, fan.....	AHC450....	1	KA available Dec 2013	
21.	Seating, upper (rubber).....	AHC459....	1	KA have availability for both of these items. May 2012	
22.	Seating, lower (rubber).....	AHC460....	1		
<b>HOSE</b>					
23.	Bottom.....	AHC297....	1	GRH360	
24.	Top.....	AHC298....	1	GRH359	
23.	Bottom.....	N.America	AHC756....	1	N.L.A.
24.	Top.....	N.America	AHC771....	1	GRH359
25.	Clip.....	HCS130....	4	CS4026	
26.	Tank, expansion (less cap).....	ARC71....	1	N.L.A.	
27.	Cap, tank filler.....	ARH1713....	1	GRC106	
28.	Clip, tank retaining.....	AHC461....	1	N.L.A.	
29.	Pad, clip (rubber).....	ACA9872....	2		
30.	Nut.....	FNZ105....	2	GHF201	
31.	Washer, spring.....	LWZ205....	2	GHF332	
32.	Hose, tank to filler neck.....	AHC458....	1		
33.	Clip, hose to tank.....	ACB8744....	2		
34.	Clip, hose to cowl.....	PCR1009....	1		
35.	Screw.....	HZS0404....	1	SH604041	
36.	Washer-spring.....	LWZ204....	1	GHF332	

G-CD1-101 to 1493 Canada. 101 on except N.America.  
G-CN1-101 to 3313 Canada. 101 on except N.America.  
G-CD1-101 U.S.A 1494 Canada on.  
G-CN1-101 U.S.A 3313 Canada on.



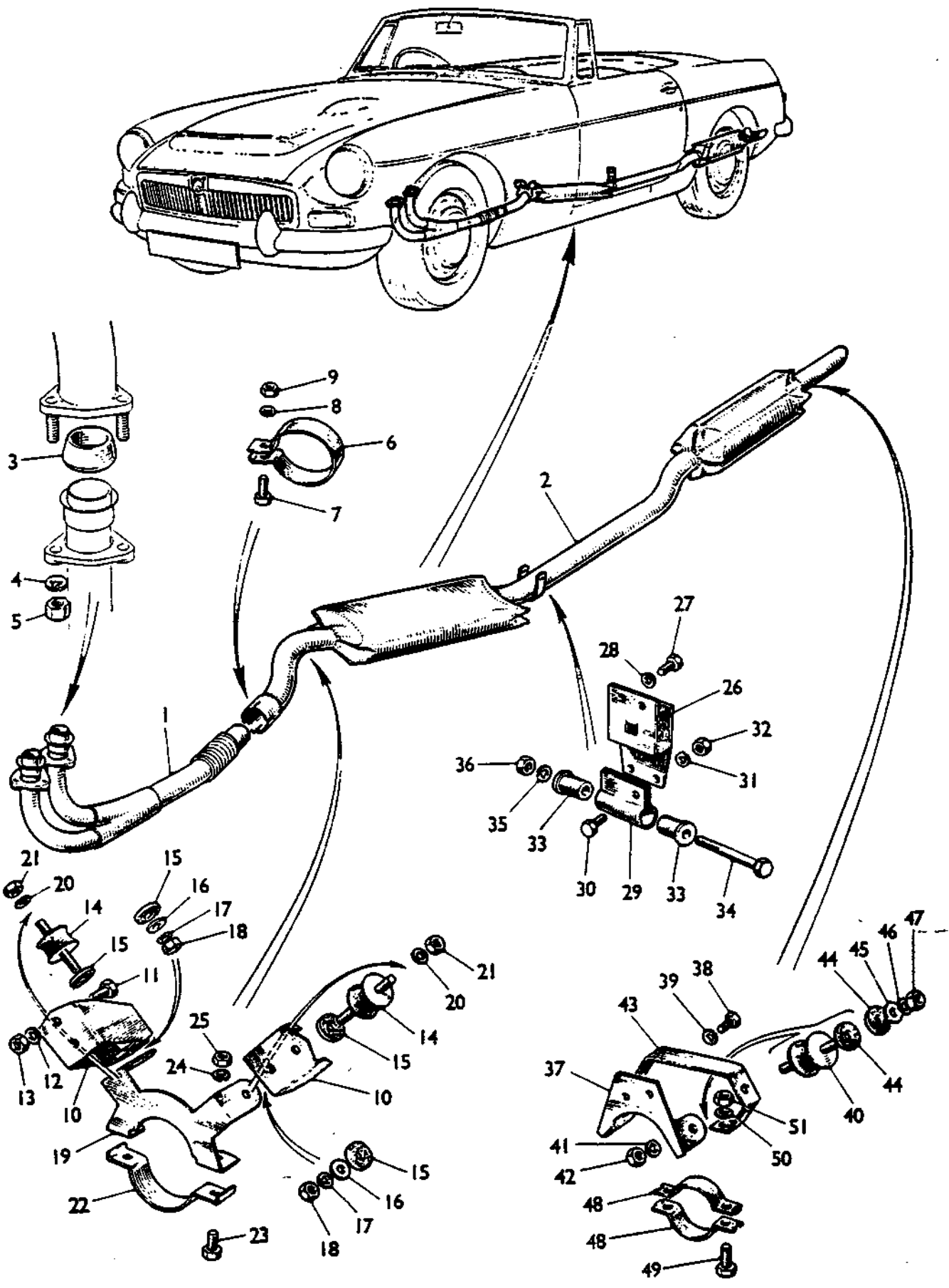
96





37.	Tank, expansion (less cap).....	.ARC78.....1	N.L.A.	
27.	Cap, tank filler.....	.ARH2223...1	GRC119	
38.	Strap, expansion tank.....	.AHC780....1	N.L.A.	
39.	Screw.....N.AMERICA	.HZS0405...2	SH604051	G-CD1-101 U.S.A
40.	Washer, spring.....	.LWZ204....2	GHF331	1494 Canada on.
41.	Channel, rubber packing.....	.AHC777....1	M.L.A.	G-QN1-101 U.S.A
32.	Hose, tank to filler neck....	.AHC778....1	N.L.A.	3313 Canada on.
	CLIP			
33.	Hose to tank.....	.ACB8744...2		
34.	Hose to bonnet seal....	.PCR1011...1	N.L.A.	
42.	Hose to guard.....	.PCR1007...1		
42.	Hose to guard.....	.PCR1009...1		

98

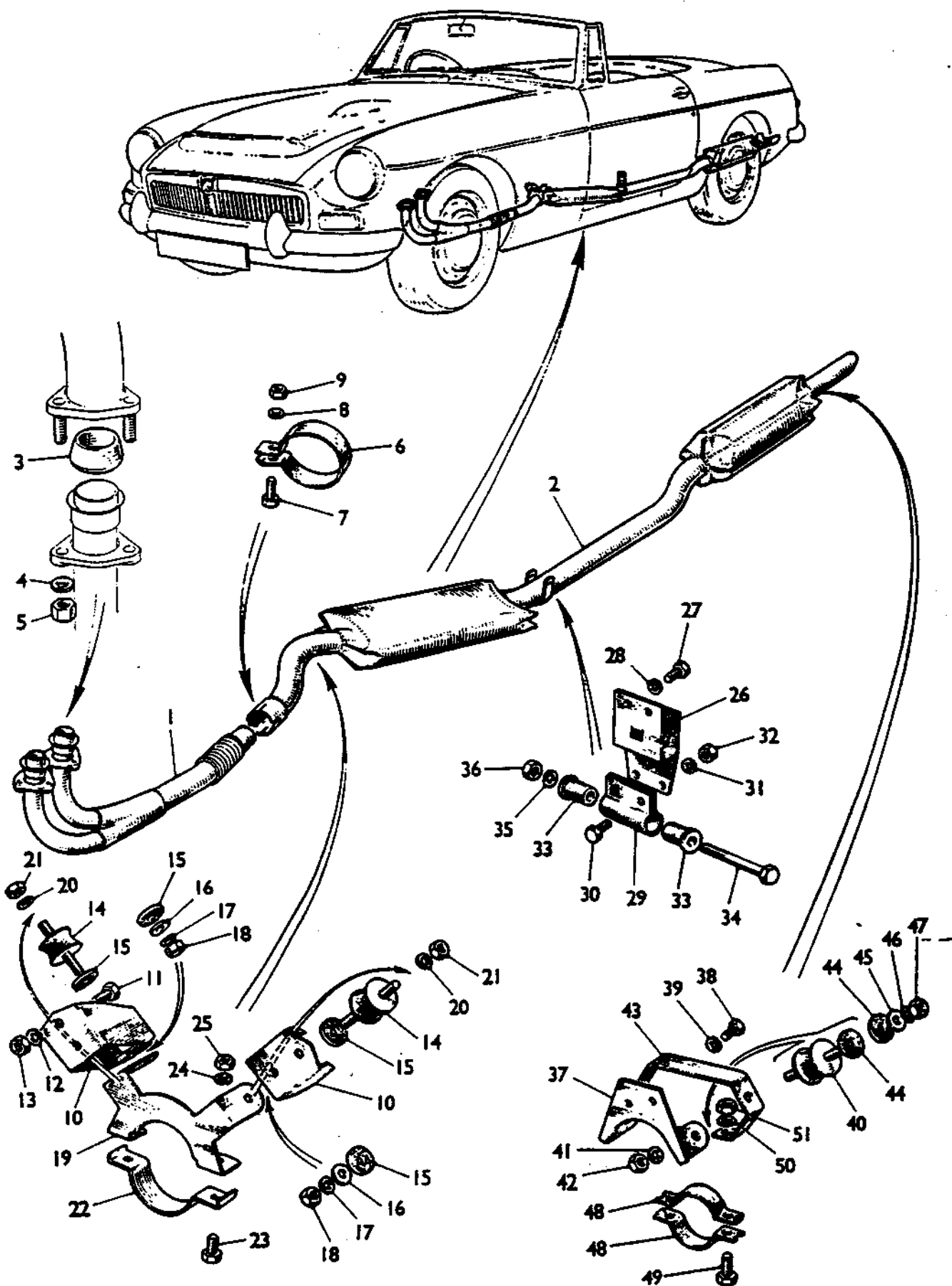


GET 137 GET 32 06

(99)

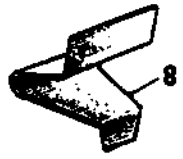
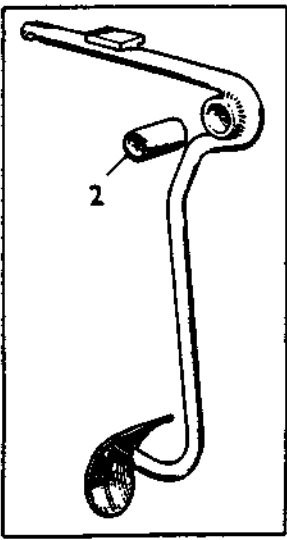
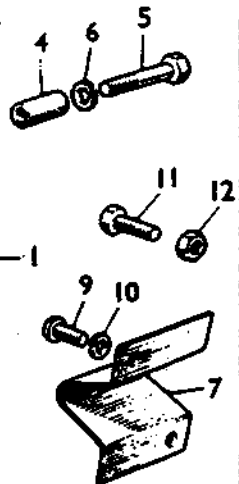
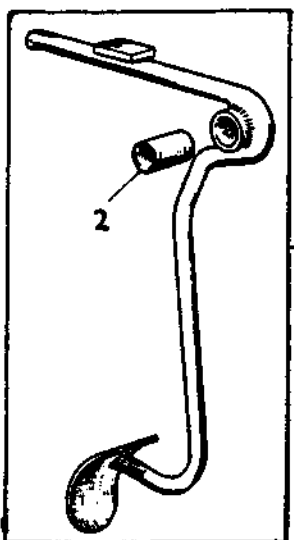
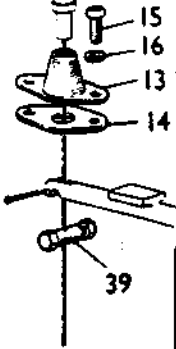
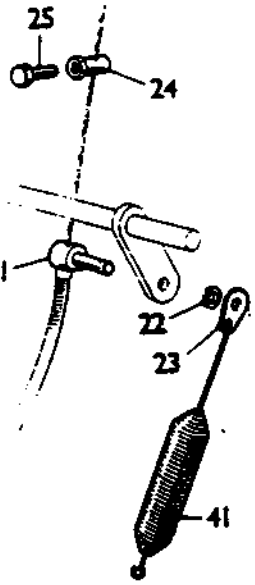
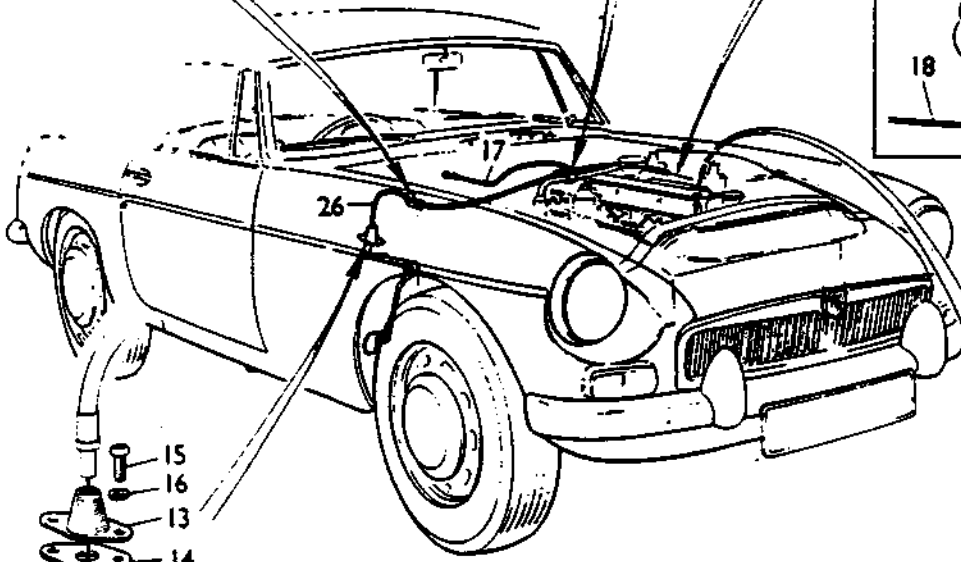
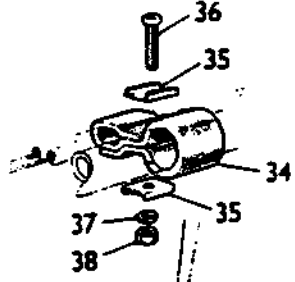
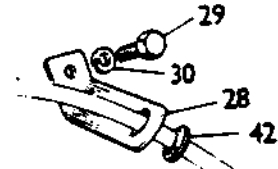
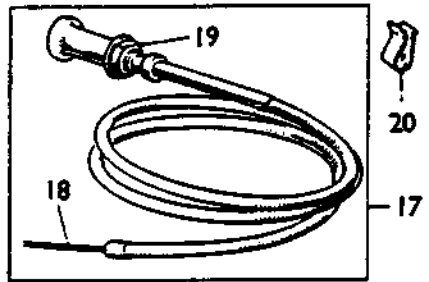
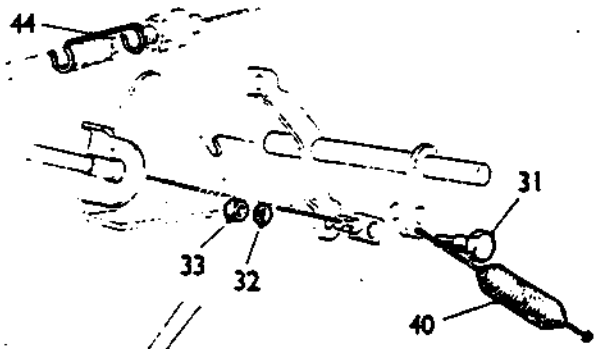
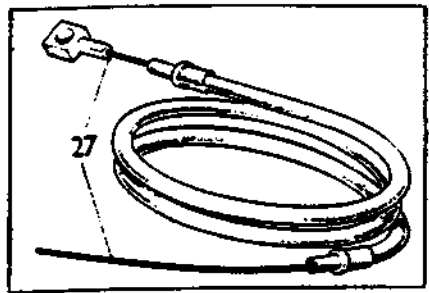
## EXHAUST SYSTEM

1.	Exhaust, front.....	ARC56.....1	FSMG29
2.	Exhaust, rear.....	ARC57.....1	FSMG30
3.	Packing, exhaust pipe.....	AHH5146...2	GEX7196
4.	Washer, spring.....	LWZ206....6	WL600061
5.	Nut.....	88G473....6	AHH8382
		G-CD1-101 to 1493 Canada, 101 on except N.America	
		G-CN1-101 to 3313 Canada, 101 on except N.America	
5.	Nut.....N.America..	AHH8382...6	
6.	Clip, fr to rr exhaust.....	AHC447....1	
7.	Screw, clip.....	HZS0507...1	SH605071
8.	Washer, spring.....	LWZ205....1	WL600051-GHF332
9.	Nut.....	FNZ105....1	GHF201
10.	Bracket, exhaust, mounting, fr...	AHC439....2	← KA makes these in stainless 2015
11.	Screw, bracket to X-member....	HZS0506...4	SH605061
12.	Washer, spring.....	LWZ205....4	WL600051-GHF332
13.	Nut.....	FNZ105....4	GHF201
14.	Rubber, exhaust pipe mounting, front.....	AHC441....2	GEX7493
15.	Washer, heat insulation.....	AHC442....4	Available
16.	Washer, plain.....	PWZ205....2	
17.	Washer, spring.....	LWZ205....2	WL600051-GHF332
18.	Nut.....	FNZ105....2	GHF201
19.	Bracket, hanger, front exhaust mounting.....	AHC440....1	Available
20.	Washer, spring.....	LWZ205....2	GHF332
21.	Nut.....	FNZ105....2	GHF201
22.	Saddle, fr exhaust,.....	AHC443....1	GEX7200
23.	Screw, saddle to hanger bracket.....	HZS0506...2	SH605061
24.	Washer, spring.....	LWZ205....2	GHF332
25.	Nut.....	FNZ105....2	GHF201
26.	Mounting.....	AHH6080...1	GEX7204
27.	Screw.....	HZS0404...2	SH604041
28.	Washer, spring.....	LWZ204....2	GHF331
29.	Housing.....	AHH5404...1	GEX7183
30.	Screw, housing to mounting....	HZS0404...2	SH604041
31.	Washer, spring.....	LWZ204....2	GHF331
32.	Nut.....	FNZ104....2	GHF200
33.	Bush.....	AHH5403...1	GEX7182



(101)

34.	Bolt,exhaust to housing.....	HBZ0522...1	BH605221
35.	Washer, spring.....	LWZ205...1	GHF332
36.	Nut.....	FNZ105...1	GHF207
37.	Bracket,rr exhaust mounting...	AHC444...1	GEX7201
38.	Screw,bracket to body.....	HZS0404...2	SH604041
39.	Washer, spring.....	LWZ204...2	GHF331
40.	Rubber,exhaust pipe mounting	AHC441 2	GEX 7493
41.	Washer, spring.....	LWZ205...2	GHF332
42.	Nut.....	FNZ105...2	GHF201
43.	Bracket,hanger,rear exhaust mounting.....	AHC445...1	GEX7202
44.	Washer,heat insulation.....	AHC442...4	
45.	Washer,plain.....	PWZ205...2	
46.	Washer, spring.....	LWZ205...2	GHF332
47.	Nut.....	FNZ105...2	GHF201
48.	Clip,saddle,rear exhaust mounting.....	AHC446...2	GEX7203
49.	Screw.....	HZS0507...2	SH605071
50.	Washer, spring.....	LWZ205...2	GHF332
51.	Nut.....	FNZ105...2	GHF201



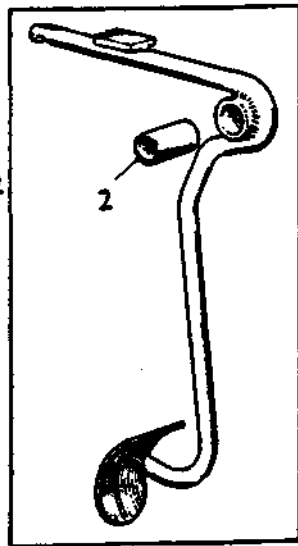
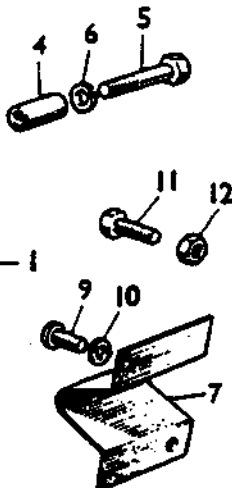
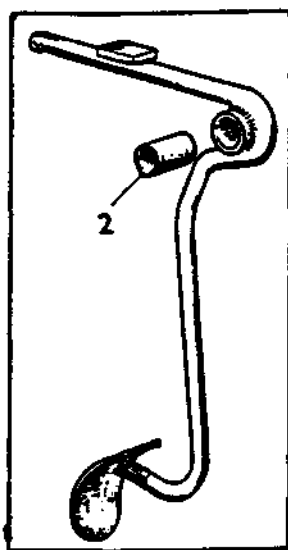
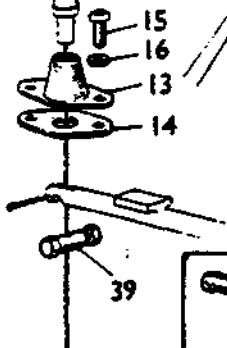
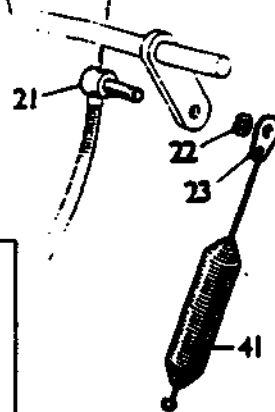
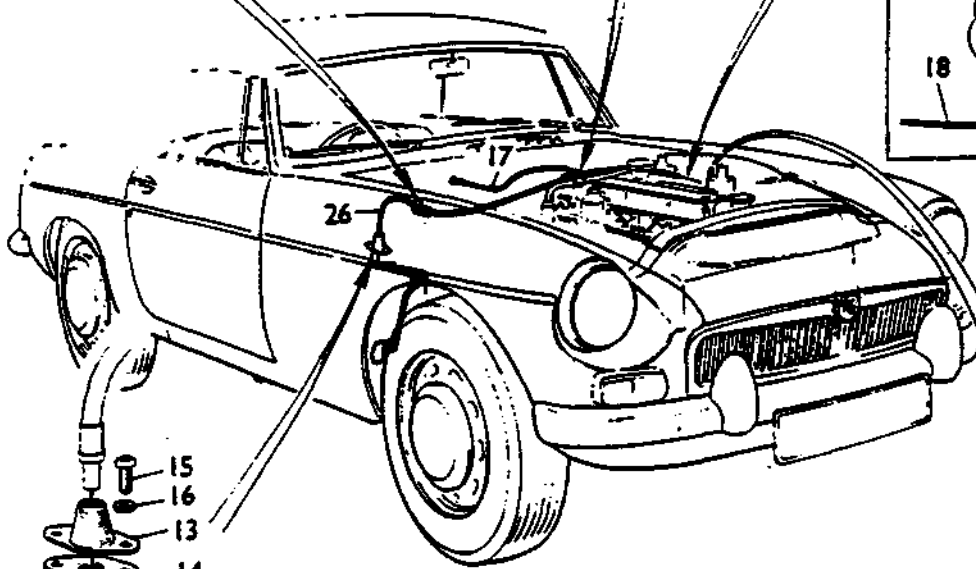
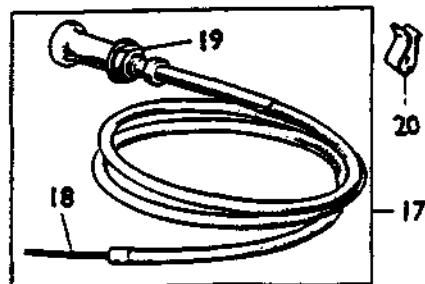
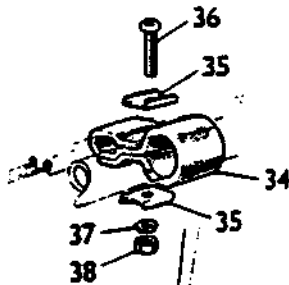
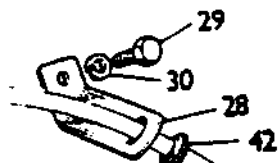
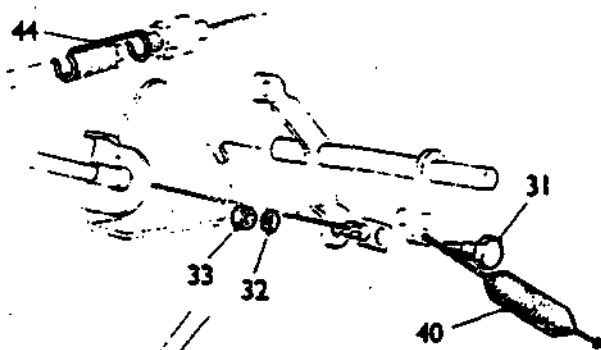
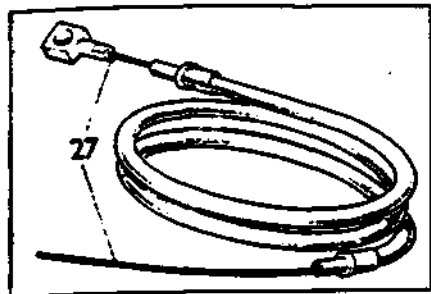
103

## ENGINE CONTROLS

1.	Pedal assy-accelerator...RHD..	AHC135...1	N.L.A	
2.	Bush.....	AHC5301..1	N.L.A	
3.	Pedal assy-accelerator...LHD..	AHC647...1	N.L.A	
4.	Bush.....	AHC5301..1	N.L.A	
4.	Tube-distance -pedal to mounting bracket.....	AHH6504..1		
5.	Bolt.....	HBZ0511..1	BH605111	
6.	Washer-spring.....	LWZ205...1	WL600051	
7.	Stop-pedal.....RHD..	AHB7162..1	N.L.A	
8.	Stop-pedal.....LHD..	AHH6494..1	N.L.A	
9.	Screw.....	PMZ0412..2	SE604061	
10.	Washer-spring.....	LWZ204...2	GHF331	
11.	Screw.....	HZS0409..1	GHF101	
12.	Nut.....	FNZ104...1	GHF200	
13.	Guide-accelerator cable.....	AHH5308..1		
14.	Pad-anti rattle.....	ACA5073..1		
15.	Screw.....	PMZ307...2		
16.	Washer-spring.....	LWZ203...2	WL700101	
17.	Cable assy-choke control....	AHC67...1	AHC67	
18.	Cable-inner.....RHD	.27H8340..1	N.L.A	
19.	Nut-locking.....	.27H6537..1	BHH653	G-CDI-101 to 1493 Canada. 101 on except N.America.
17.	Cable assy-choke control....	AHH7703..1	BHH653	
18.	Cable-inner.....LHD	.27H6484..1	N.L.A	G-CNI-101 to 3313 Canada. 101 on except N.America.
19.	Nut-locking.....	.27H6537..1		G-CDI-101 U.S.A 1494 Canada on. G-CNI-101 U.S.A 3314 Canada on.
17.	Cable assy-choke control....	AHC754...1		
18.	Cable-inner.....N.AMERICA	.37H2630..1	AHC754	
20.	Clip-cable to bulkhead...RHD..	BHA4534..1	N.L.A	
	Clip-cable to bulkhead...LHD..	BHA4534..2	N.L.A	
21.	Bracket-choke control abutment-outer cable.....	AHH6734..1		
22.	Washer-spring-DC.....	AJD7712..2	N.L.A	
23.	Wsher-tab.....	AAA649...1		
24.	Pin-inner cable to bracket....	AHA6367..1	ACH9042	
25.	Screw.....	ACA5453..1	53K3503	
26.	Cable assy-accelerator...RHD	AHC65...1	BHH1120	
27.	Cable-inner.....	.27H8274..1	BHH1120	
26.	Cable assy-accelerator...LHD	AHC66...1		
27.	Cable-inner.....	.27H8275..1	AHC66	
28.	Bracket-cable support....RHD..	AHC256...1	N.L.A	



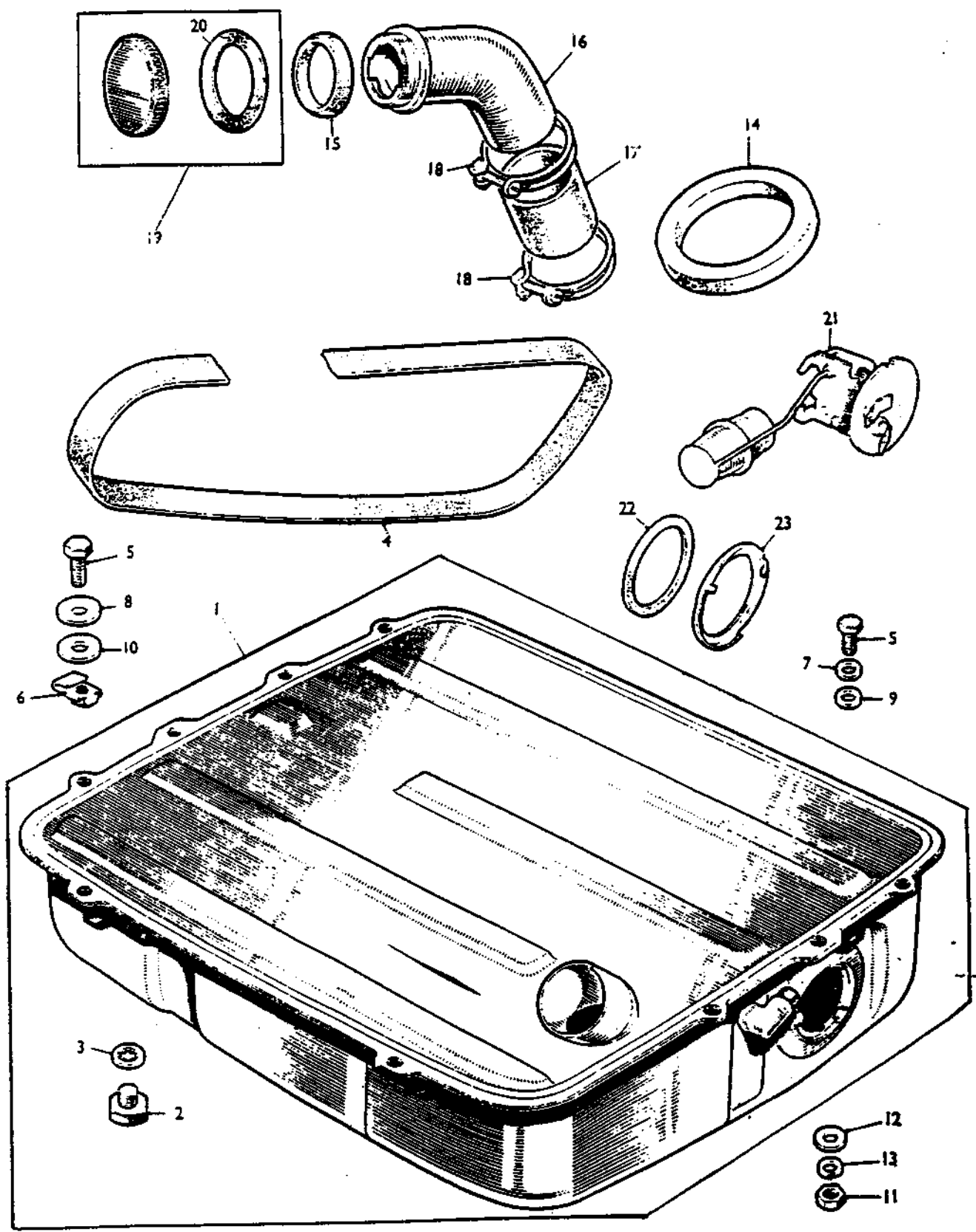
104



105

29.	Screw.....	RHD	.HZS0403...1	SH604031	
30.	Washer, spring.....		.LWZ204...1	GHF331	
31.	Bolt, cable to relay shaft.....		.AHC281...1		
32.	Washer, spring.....		.LWZ203...1	WL700101	
33.	Nut.....		.LNZ203...1	NY910041	
34.	Clip, strap, choke cable to breather hose.....		.AHC311...1	N.L.A.	
35.	Plate, clamp, cable, top.....		.AHH6866...1	N.L.A.	
35.	Plate, clamp, cable, bottom.....		.AHA8390...1	N.L.A.	
36.	Screw.....		.FMZ0314...1	FMZ314	
37.	Washer, spring.....		.LWZ203...1	WL700101	
38.	Nut.....		.FNZ103...1	GHF206	
39.	Pin, accelerator cable.....		.AHC284...1	N.L.A.	
40.	Spring, accelerator, return.....		.AHC64...1	N.L.A.	
41.	Spring, accelerator, return.....		.AHC70...1	N.L.A.	
42.	Grommet.....		.RFR103...1	N.L.A.	
44.	Clip, kickdown cable adjuster		.AHC279...1	N.L.A.	] AUTOMATIC
	Clip.....	LHD	.BHA4753...1	N.L.A.	
	Binder, clip.....		.BHA4754...1	N.L.A.	

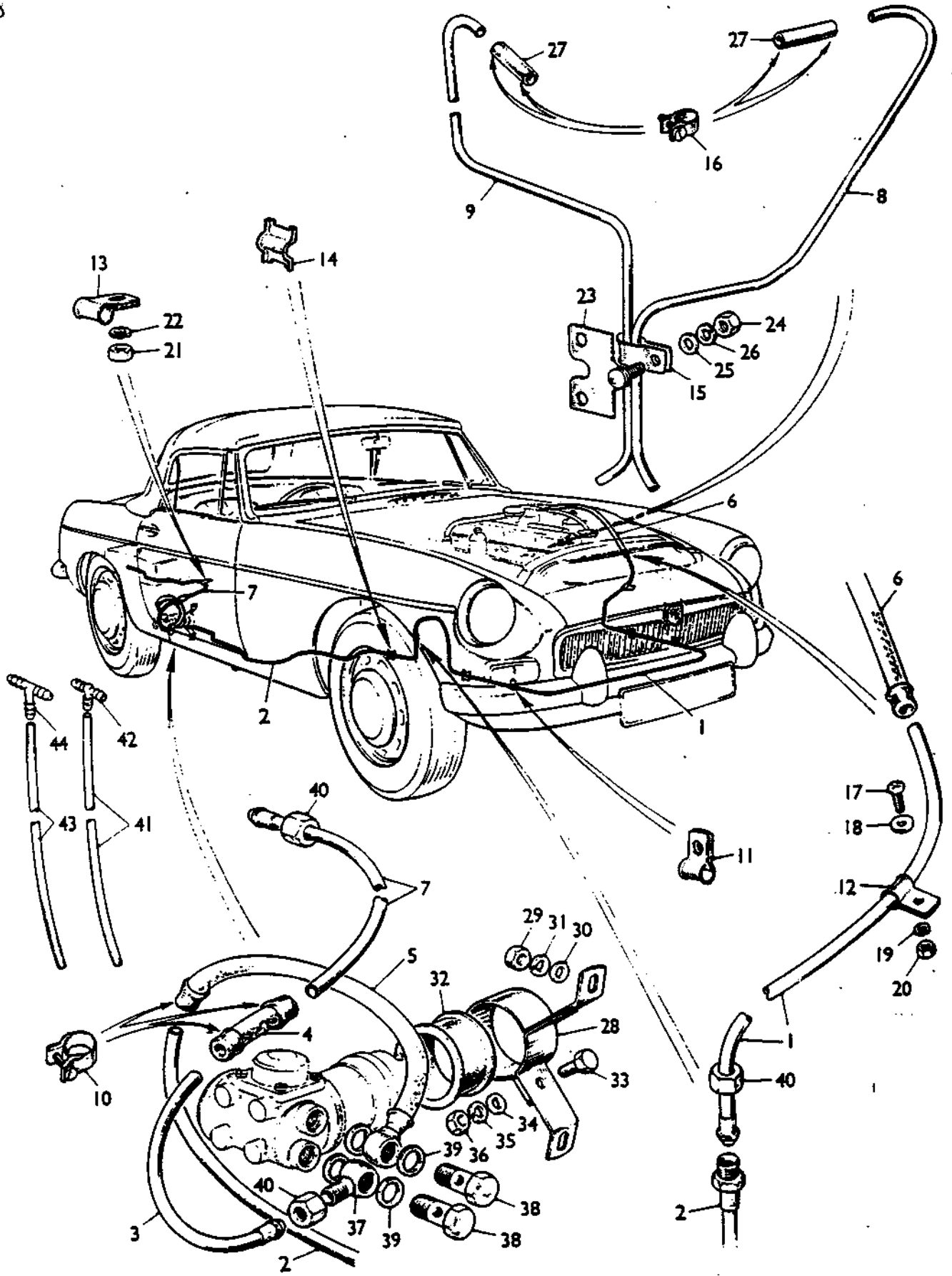
106



(107)

**FUEL SYSTEM****FUEL TANK**

1.	Tank, fuel, 12.7 gal capacity...ARH223....1	NRP2 or NRP2B or NRP2SS
2.	Plug, drain.....ARH672....1	
3.	Washer.....ARA967....1	
4.	Strip, packing, tank (rubber)....AHH7386...4	
5.	Screw.....HZS0506...5	SH605061
6.	Nut, retainer.....34G523....5	346071A
	WASHER	
7.	Plain, small.....PWZ305....1	
8.	Plain, large.....PWZ405....4	
9.	Small (fibre).....2K8944....1	
10.	Large (fibre).....AHH7513...4	
11.	Nut.....FNZ105....4	GHF201
12.	Washer, plain.....PWZ405....4	
13.	Washer, spring.....LWZ205....4	GHF332
14.	Seal, tank to boot floor.....AHH7388...1	
15.	Ferrule, filler neck.....AHH6268...1	
16.	Tube, fuel filler.....AHH6281...1	
17.	Hose, filler connection.....11B2011...1	BHH191
18.	Clip.....HCS1622...2	GHC1622
19.	Cap assembly, filler.....8G654....1	18G8601A
20.	Seal, filler cap.....27H3573...1	
21.	Unit, tank gauge.....ARA966....1	AHU1027
22.	Ring, sealing, unit.....ARA1502...1	
23.	Ring, locking, unit.....ARA1501...1	



MGC lines are 5/16 OD and hoses are 5/16 ID to the T in the engine bay that splits distribution to a pair of 1/4" ID hoses feeding the carbs. This differ from the MGB whose parts are often supplied for this area of the MGC.

**FUEL PIPES**

**PIPE**

- 1. Main feed, front.....AHC529....1
- 2. Main feed, rear.....AHC527....1
- 3. Pump to fuel tube.....AHC532....1
- 4. Tank to tube.....AHC526....1
- 5. Pump to main feed, rear flexible.....AHH7371...1
- 6. \* Main feed front to T piece, flexible.....BRT2823...1
- 7. Tank pipe to pump pipe.....BRT2804...1
- 8. Overflow, fr carburetter.....AHC240....1
- 9. Overflow, rr carburetter.....AHC241....1
- 8. Overflow, fr carburetter, N.America.....AHC773....1
- 9. Overflow, rr carburetter, N.America.....AHC839....1

A correct 5/16" copper fuel line kit is available from KA. AHC532 & BRT2804 are one piece omitting the 2" hose AHC526 which could be spliced in and does absorb flex and vibration. The full kit includes all the fittings and olives illustrated here and the two pipes from the pump to the engine bay AHC529 & AHC527 #1 & #2 in the illustration

BRT2823 is 5/16" and available SS overlay.

Available

Proper length tubing is available for UK/EU spec

Correct length and shaped form for NA spec are available

**CLIP**

- 10. Flexible pipe.....AHC189....5
- 11. Pipe to radiator mounting bracket.....PCR0511...2
- 12. Pipe to valance.....PCR0507...1
- 13. Rear pipe to boot floor.....PCR0509...1
- 14. Pipe to fr side member.....AHC172....3
- 15. Overflow pipe.....AHH7355...1
- 16. Overflow pipe connector.....88G308....4
- Carburetter breather hose to heater hose.....AHH7108...1
- Hose to air cleaner hose.....AHH6728...1
- 17. Screw, clip to valance.....PMZ0308...1
- 18. Washer, plain.....AJD7202...1
- 19. Washer, spring.....LWZ203...1
- 20. Nut.....ANZ103...1
- 21. Nut, clip to boot floor.....FNZ104...1
- 22. Washer, spring.....LWZ204...1
- 23. Bracket, clip, overflow pipe....AHC242....1
- 24. Nut, clip to bracket.....FNZ105...1
- 25. Washer, plain.....PWZ105...1
- 26. Washer, spring.....LWZ205...1
- 27. Connector, overflow pipe.....AHC100....2
- 28. Bracket, fuel pump.....AHH6709...1
- 29. Nut.....FNZ104....2

PCR511  
CP105081

N.L.A.  
N.L.A.

N.L.A.  
2K6640

N.L.A.  
WL700101

N.L.A.  
GHF200  
GHF331

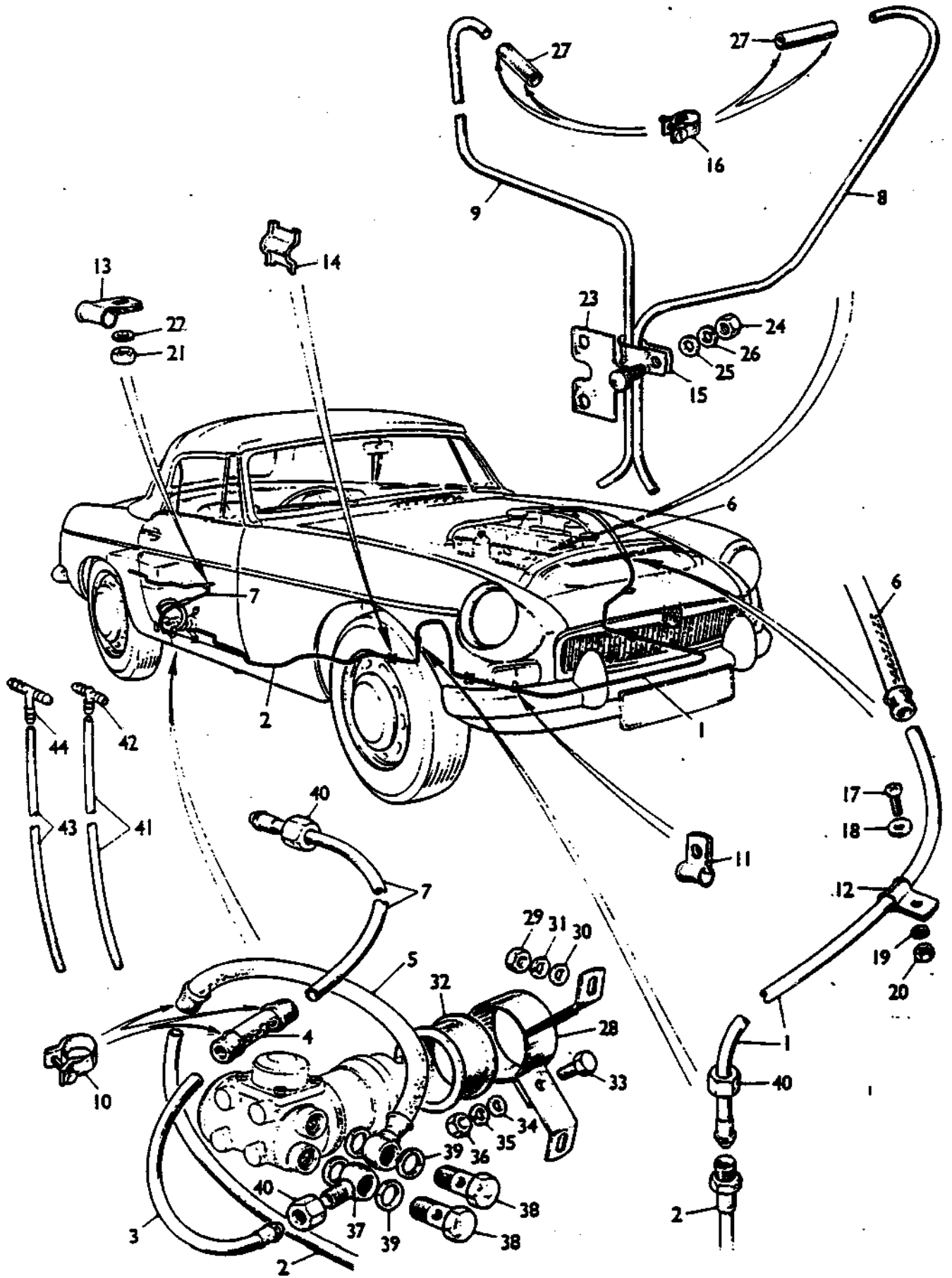
N.L.A.  
GHF201  
GHF301

WL600051  
AHH9950

GHF200

\* Correct 5/16" Petrolflex hose available

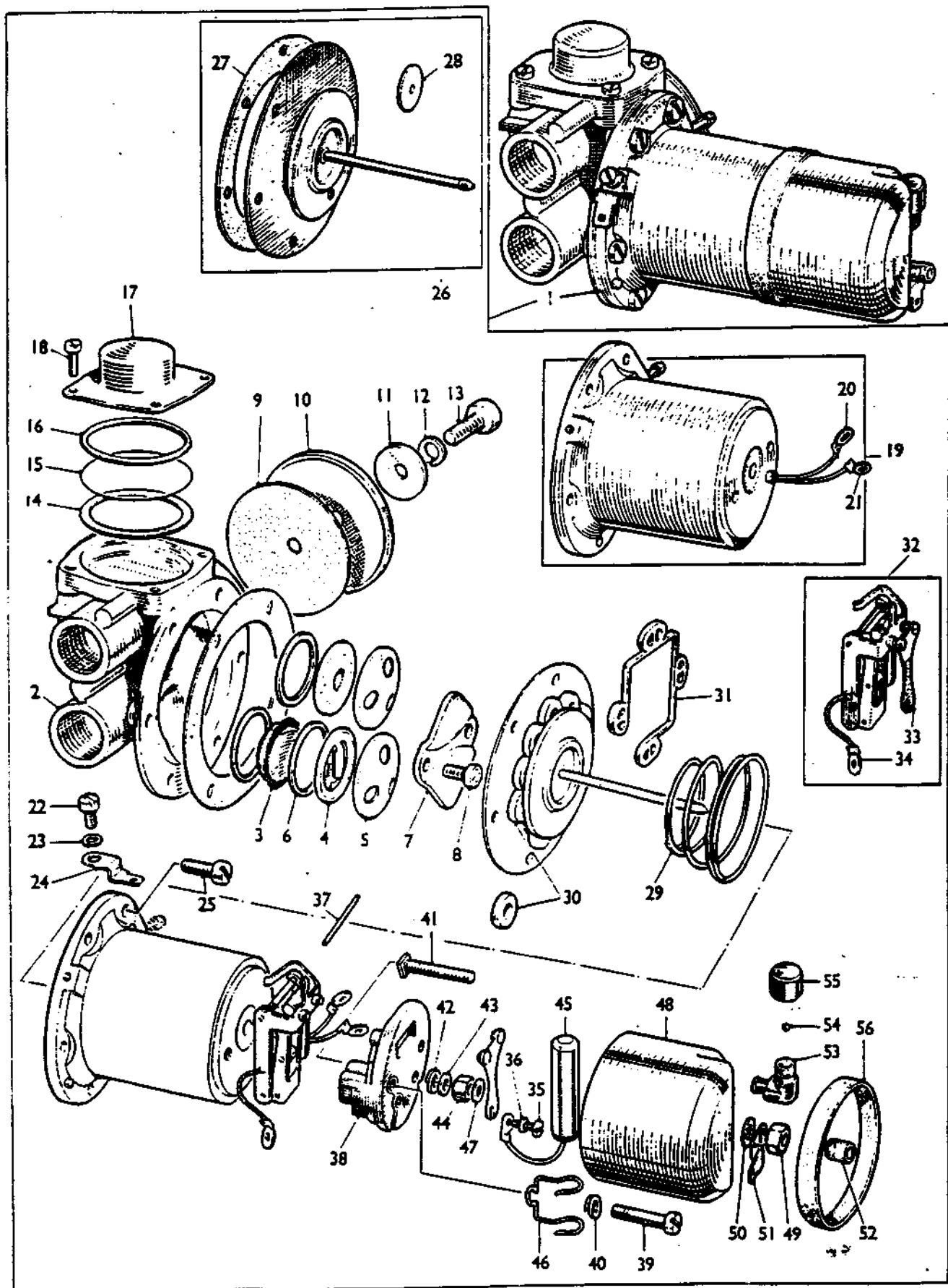
110





30.	Washer, plain.....	PWZ104....	2	GHF300
31.	Washer, spring.....	LWZ204....	2	GHF331
32.	Mounting, fuel pump, rubber.....	AHH6708...	1	
33.	Screw.....	HZS0405...	1	SH604051
34.	Washer, plain.....	PWZ104....	1	GHF300
35.	Washer, spring.....	LWZ204....	1	GHF331
36.	Nut.....	FNZ104....	1	GHF200
37.	Union, banjo.....	AUC1833...	1	available
38.	Bolt, banjo union.....	AUC2698...	2	
39.	Washer, fibre.....	AUC2141...	4	
40.	Nut, olive, pipe	NUT AAA17 Olive TL8		
	tubing.....	37H9708...A/R		GWW201= tubing
42.	Connection, 3-way.....	BHA4361...	1	GWW404
	Grommet.....	RFR103....	1	BD19573
	Clip.....	PCR0407...	1	
	Screw.....	ZPT1004...	1	both available
	Tubing.....	37H2983...A/R		
43.	Fuel pump breather, 60cm long..	GWW202 24"		
44.	Connection, 3-way.....	BHA4752...	1	GWW401





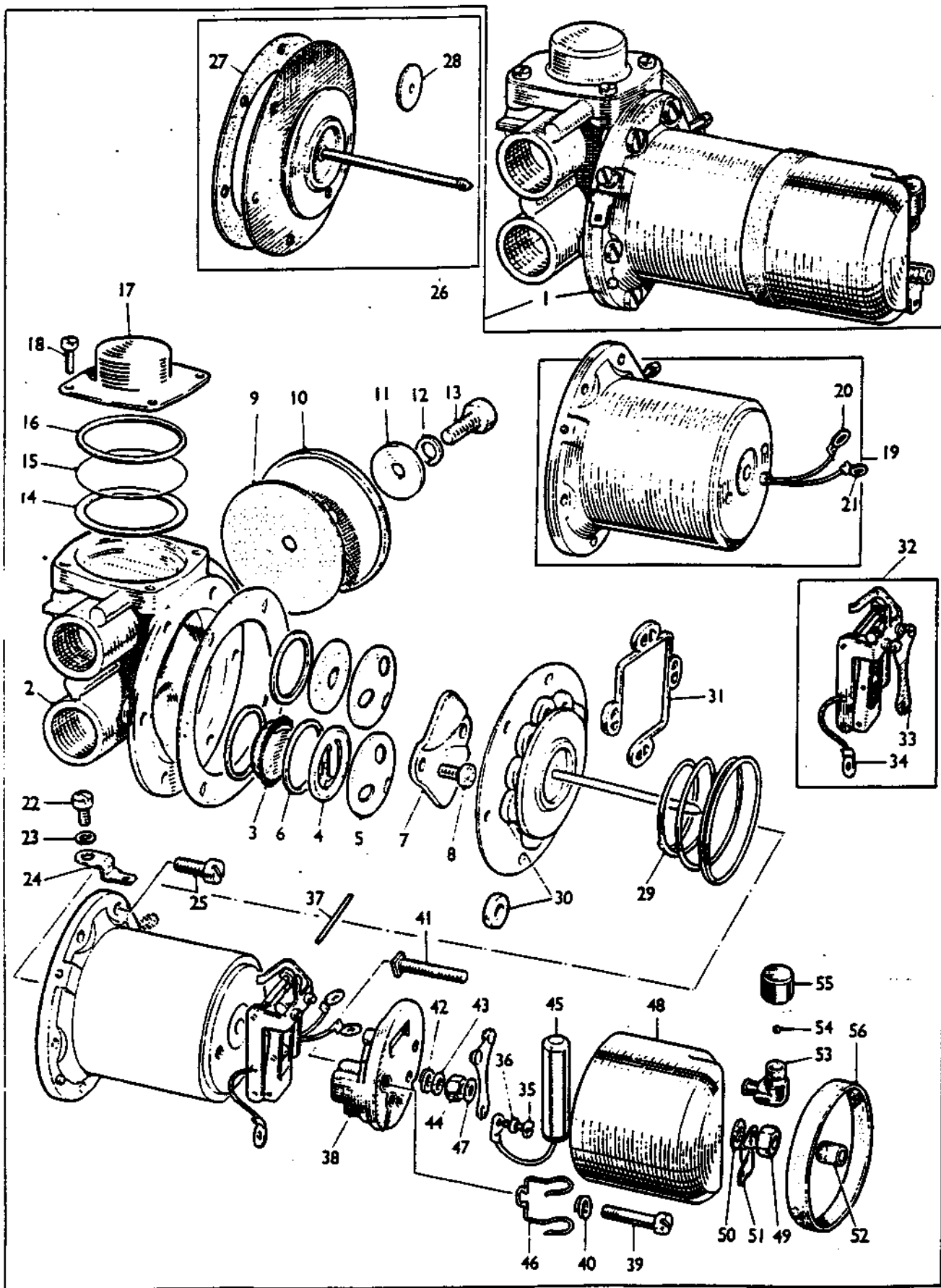
113

**FUEL PUMP** →

The best fuel pump on the market in my opinion is the ECCO fully electronic pump AZX1307Z without the foibles of SU pumps regardless of upgrades. Fits either earth +/- About 40% less expensive than electronic SU.

1.	Pump assembly.....	AUF303....	1	AZX1307-
				AZX1318+
2.	Body.....	AUB662....	1	N.L.A.
3.	Filter.....	AUB617....	1	519464
4.	Valve.....	AUB6062...	2	WZX1307 N.L.A.
5.	Cover, valve.....	AUB652....	2	N.L.A.
6.	Washer, sealing.....	AUB676....	3	
7.	Plate, clamp.....	AUB653....	1	N.L.A.
8.	Screw, self tapping.....	AUB597....	2	N.L.A.
9.	Washer, joint.....	AUA573....	1	
10.	Cover, dished.....	AUA574....	1	N.L.A.
11.	Washer, dished.....	AUA575....	1	N.L.A.
12.	Washer, spring.....	LWZ303....	1	WL700101
13.	Bolt, cover.....	AJD1042...	1	AUC2694
14.	Washer, joint.....	AUB675....	1	AUB795 N.L.A.
15.	Diaphragm (nylon).....	AUB656....	1	
16.	Ring, sealing.....	AUB657....	1	
17.	Cover, air bottle.....	AUB651....	1	N.L.A.
18.	Screw, cover.....	AUC2588...	4	N.L.A.
19.	Housing assy, coil.....	AUB6080...	1	N.L.A.
20.	Tag, terminal, 5 BA.....	AUA1455...	1	N.L.A.
21.	Tag, terminal, 2 BA.....	AUA1456...	1	N.L.A.
22.	Screw, earth.....	AUA699....	1	N.L.A.
23.	Washer, spring.....	AUA585....	1	N.L.A.
24.	Connector, Lucar.....	AUA692....	1	N.L.A.
25.	Screw, coil housing.....	AUB660....	6	N.L.A.
26.	Diaphragm assembly.....	AUB6097...	1	WZX1710
27.	Washer, sealing.....	AUB706....	1	AUB809
28.	Washer, impact.....	AUB582....	1	N.L.A.
29.	Spring, armature.....	AUB758....	1	N.L.A.
30.	Roller.....	AUA1433...	11	N.L.A.
31.	Plate, armature guide.....	AUB794....	1	N.L.A.
32.	Rocker and blade assembly.....	AUB6022...	1	AUB6106A
33.	Blade.....	AUA6036...	1	AUB6106A
34.	Tag, terminal, 2 BA.....	AUA1436...	1	N.L.A.
35.	Screw, blade.....	AUA565....	1	AUC5047
36.	Washer, dished.....	AUA566....	1	N.L.A.

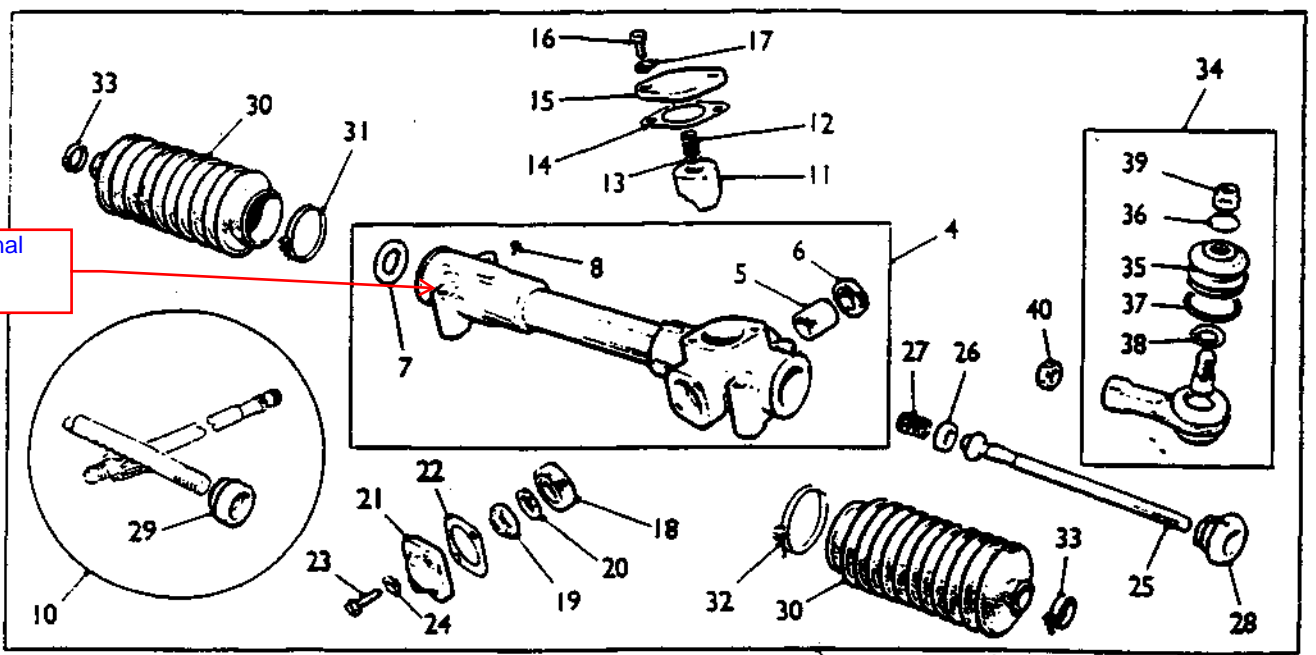
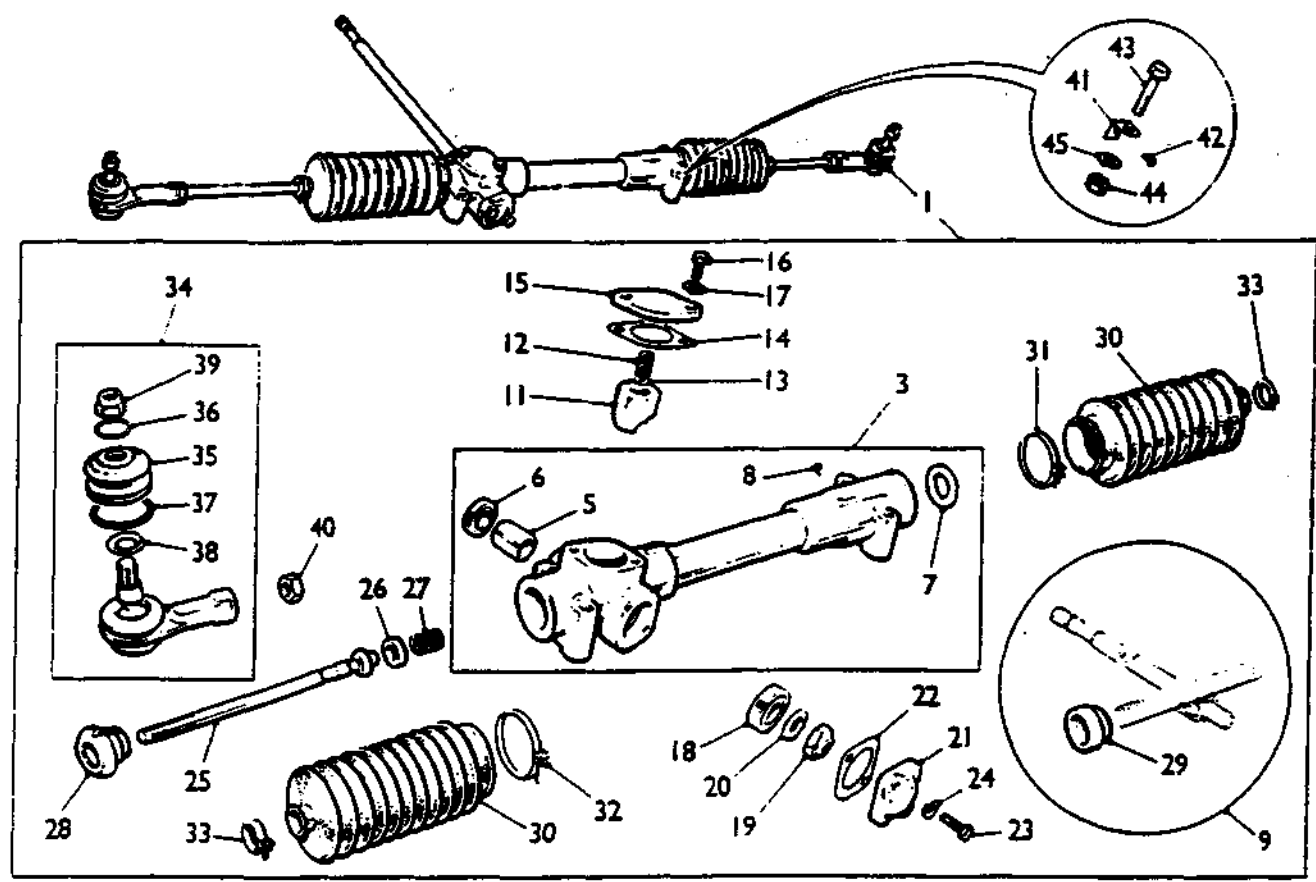
114



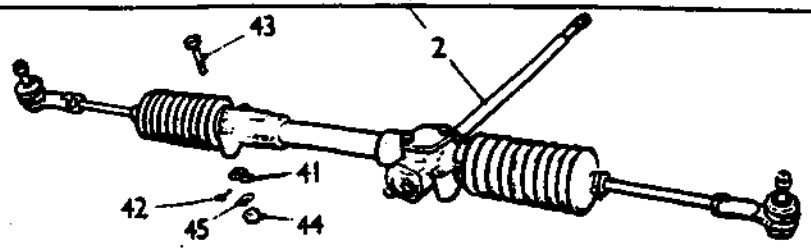
(115)

37.	Spindle, contact breaker.....	AUA1435...1	
38.	Pedestal.....	AUA6034...1	AUB6034
39.	Screw, pedestal.....	AUA1459...2	N.L.A.
40.	Washer, spring.....	AUA1863...2	N.L.A.
41.	Screw, terminal.....	AUA1468...1	N.L.A.
42.	Washer, spring.....	AUA1863...1	N.L.A.
43.	Washer (lead).....	AUA1662...1	N.L.A.
44.	Nut, recessed.....	AUA1661...1	N.L.A.
45.	Condenser.....	AUA5060...1	CZX1005
46.	Clip, condenser.....	AUA5059...1	N.L.A.
47.	Washer, sealing.....	AUB609...1	N.L.A.
48.	Cover, end.....	AUB707...1	
49.	Nut, cover.....	AUA878...1	N.L.A.
50.	Washer, shakeproof.....	LWN403...1	WF702101
51.	Connector, Lucar.....	AUA692...1	N.L.A.
52.	Sleeve insulating.....	AUB611...1	N.L.A.
53.	Valve, ventilator.....	AUB702...1	N.L.A.
54.	Ball, valve.....	AUB704...1	
55.	Cap, ventilator.....	AUB703...1	
56.	Ring, sealing.....	AUB716...1	N.L.A.

716



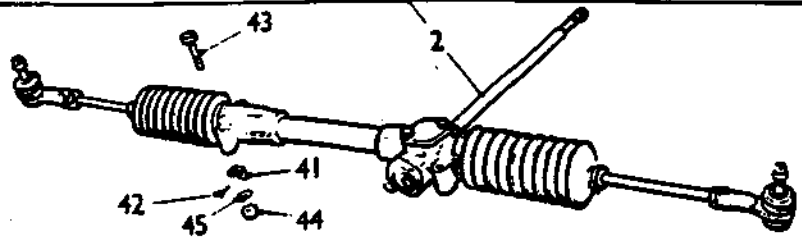
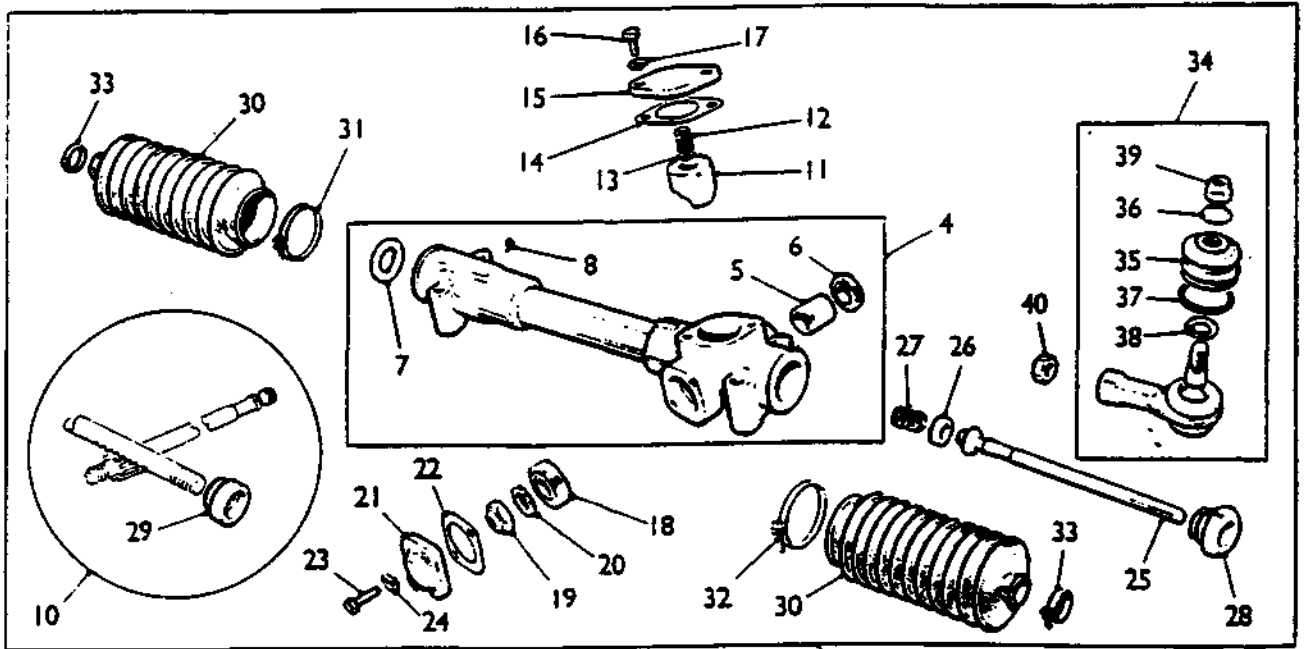
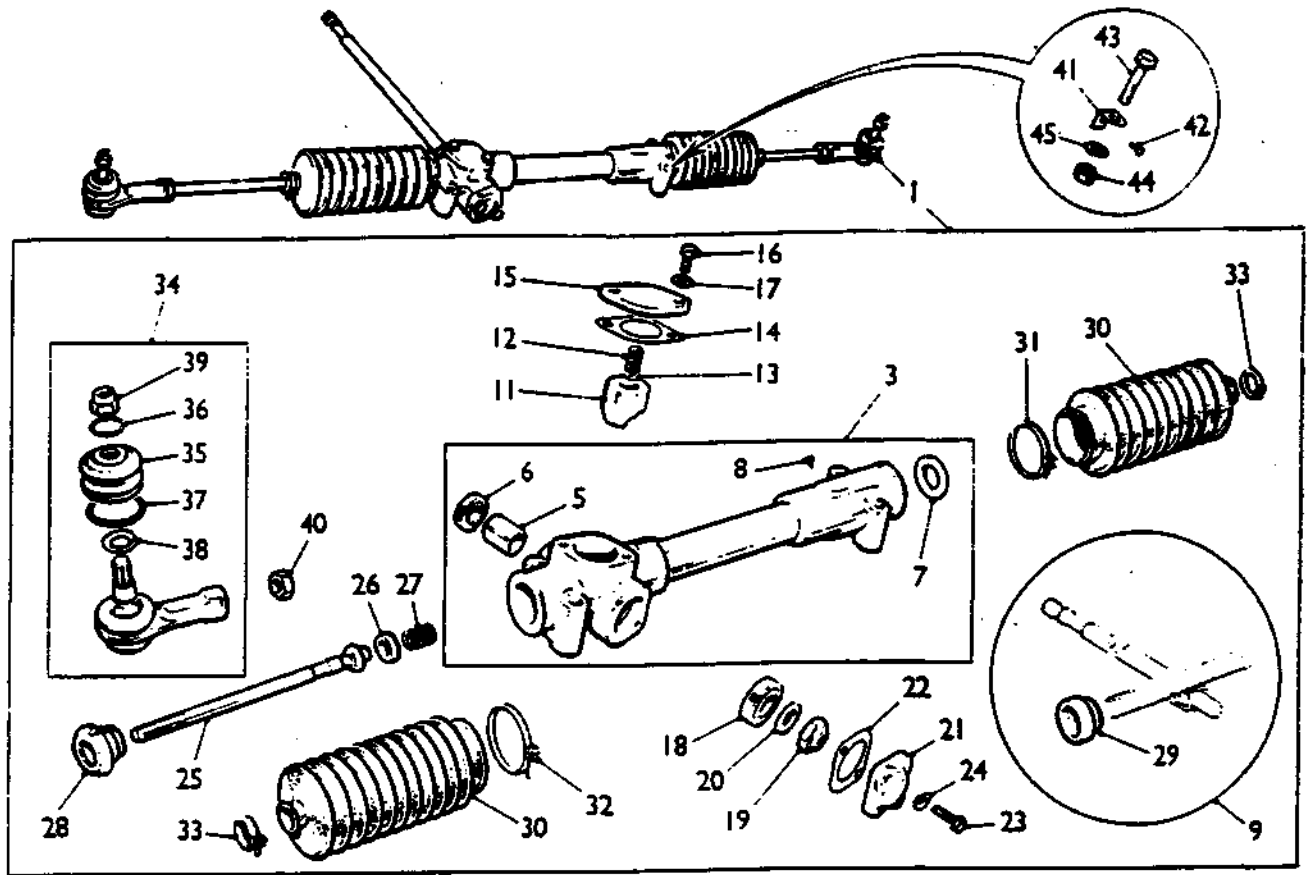
unillustrated internal bushing 17H8664 available





## STEERING

1.	Rack assembly.....RHD.AHC4.....1	&AHC4E
2.	Rack assembly.....LHD.AHC5.....1	AHC5E
3.	Housing assembly.....RHD.27H8086...1	N.L.A.
4.	Housing assembly.....LHD.27H8087...1	N.L.A.
5.	Bush,pinion.....27H8081...1	N.L.A.
6.	Seal,oil.....17H6560...1	N.L.A.
7.	Disc,backing.....17H8711...1	N.L.A.
8.	Screw,retaining.....PTZ603...1	
9.	Kit,repair,rack & pinion RHD..18G8348...1kit	
10.	Kit,repair,rack & pinion LHD..18G8349...1kit	
	Rack.....NSP.....1	
	Pinion.....NSP.....1	
29.	Locknut.....17H8715...2	
11.	Yoke,rack support.....27H8084...1	N.L.A.
12.	Spring,yoke.....CCA13...1	N.C.A.
13.	Washer.....37H2349...1	N.L.A.
	SHIM COVER PLATE	
14.	.0024" (.0609mm).....17H6566..A/R	N.L.A.
14.	.005" (.127mm).....17H6567..A/R	
14.	.010" (.254mm).....17H6568..A/R	N.L.A.
15.	Plate,yoke cover.....17H6580...1	N.L.A.
16.	Bolt.....ZCS0507...2	SH505071
17.	Washer,spring.....LWZ205...2	GHF332
18.	Bearing,pinion.....6K803...1	
19.	Nut,bearing retaining.....27H8083...1	N.L.A.
20.	Washer,plain.....37H2347...1	N.L.A.
21.	Cover,end.....17H6563...1	N.L.A.
22.	Washer,joint,end cover.....17H6564...1	
23.	Bolt.....HCZ0510...2	N.L.A.
24.	Washer,spring.....LWZ205...2	GHF332
25.	Tie-rod.....27H8077...2	
26.	Seat,ball.....17H6571...2	
27.	Spring,thrust,ball seat.....CCA13...2	N.C.A.
28.	Housing,ball.....27H5966...2	
29.	Nut,lock.....17H8715...2	
30.	Seal,rack.....27H8080...2	
31.	Clip,seal,inner,support end...ADG1682...2	
32.	Clip,seal,inner,pinion end...37H2348...1	N.L.A.
33.	Clip,seal,outer.....ACA5103...2	
34.	Socket assembly,ball.....18G8043...2	GSJ168
35.	Boot.....17H3501...2	
36.	Retainer,boot.....17H3502...2	
37.	Spring,garter.....17H3503...2	N.C.A.

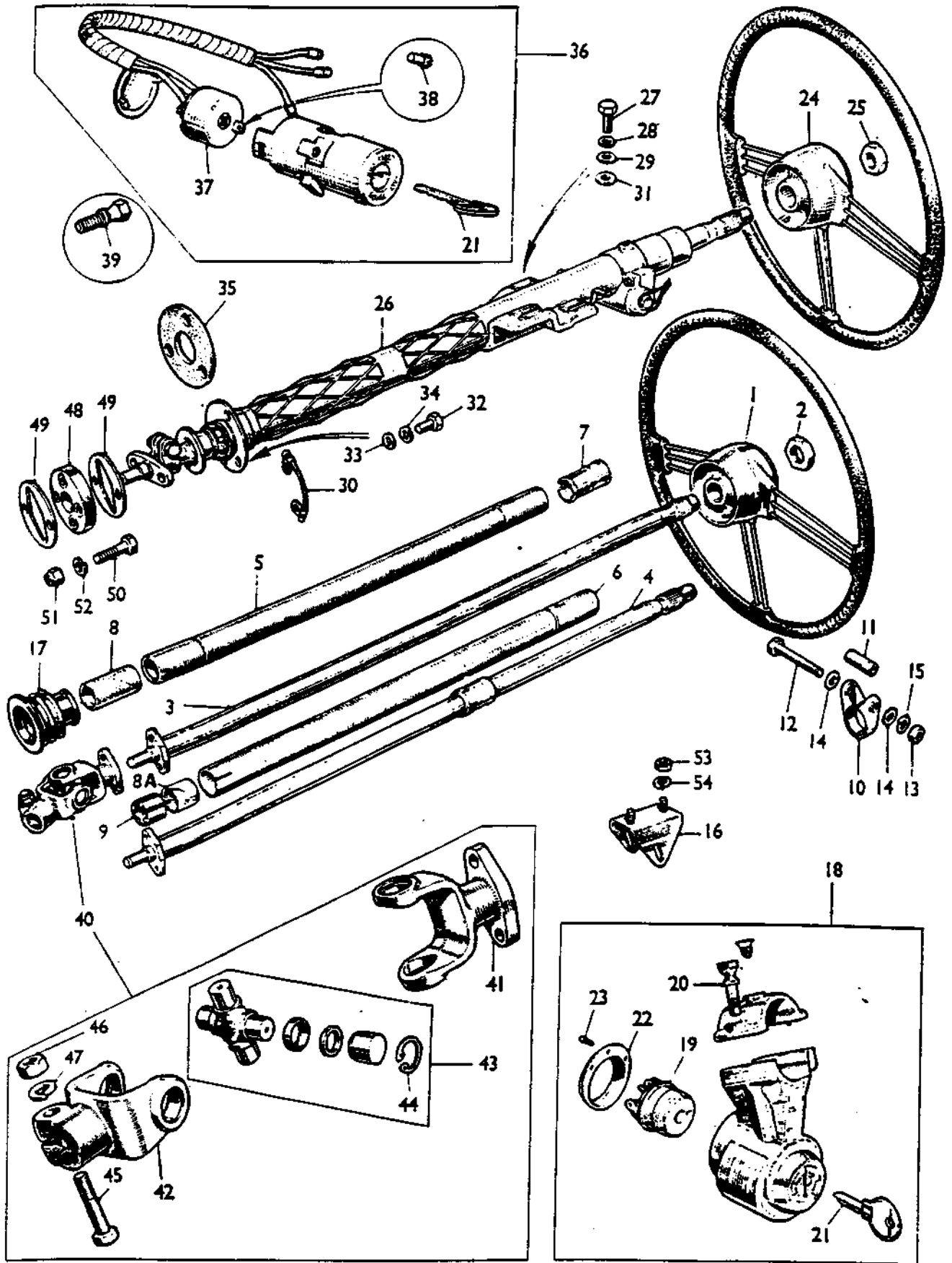


(119)

38.	Washer, boot.....	17H3482....	2	N.L.A.
39.	Nut.....	LNZ207....	2	GHF224
40.	Nut, lock.....	31K5558....	2	53K320
41.	Shim, rack to bracket.....	AHH6007..	A/R	N.C.A.
42.	Rivet, shim.....	DAP0829..	A/R	GHF600
43.	Bolt.....	HBZ0522....	4	BH605221
44.	Nut.....	LNZ205....	2	GHF222
45.	Washer, spring.....	LWZ205....	2	GHF332



120



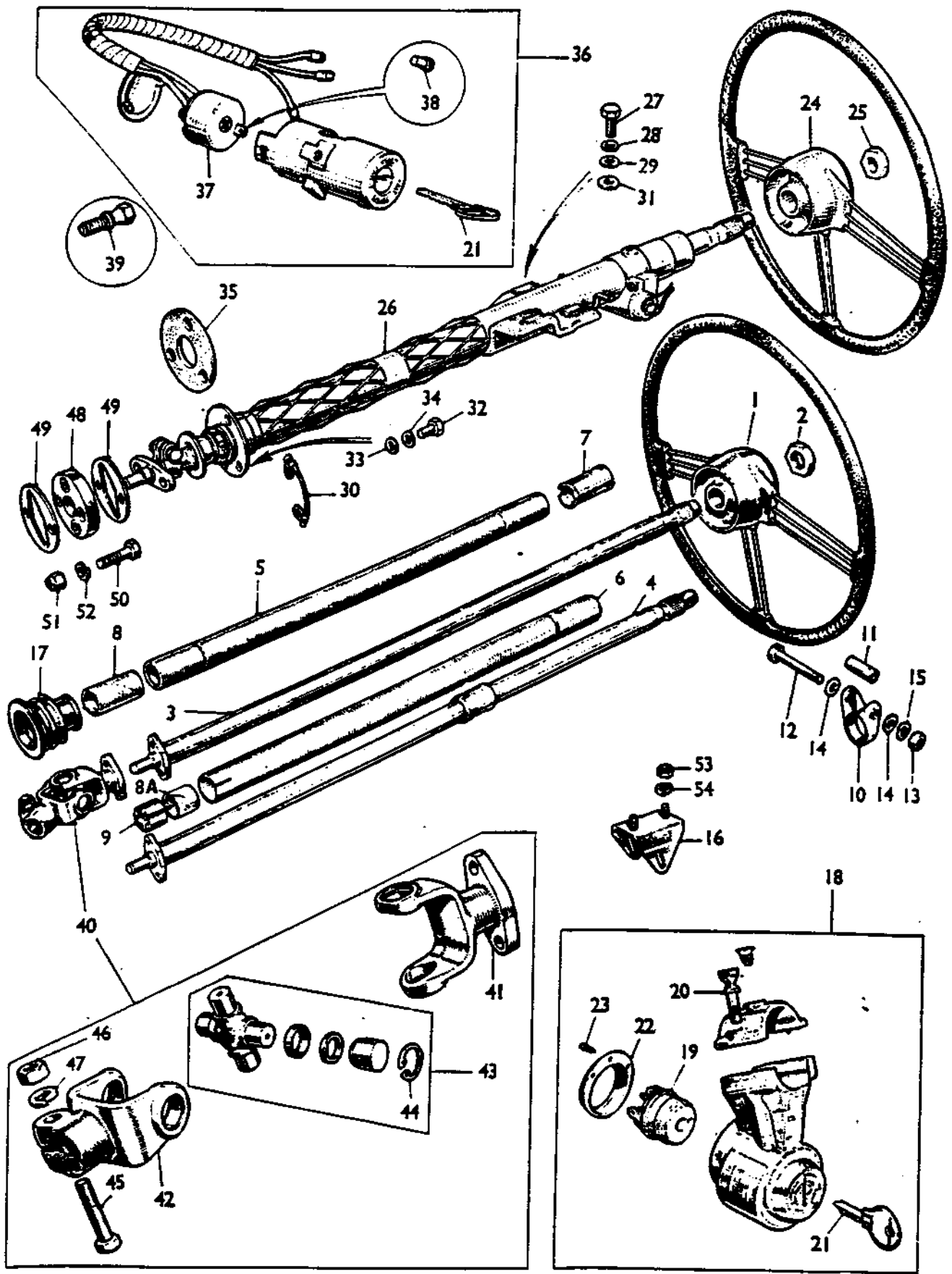
(121)

Leather steering wheel replacement  
service available 2017. Inquire KA

**STEERING  
Continued**

1.	Wheel-steering.....	AHC760....1	AHC882	N.L.A G-CD1 101-1493 Canada. 101-7334 not N.America. CNI 101-3313 Canada. 101-7334 not N.America.
	Wheel-steering.....	AHC882....1	N.L.A	GC-CD1,G-CNI 7335 on
2.	Nut-steering wheel.....	ACH6001...1		G-CD1 101-1493 Canada. G-CNI 101-3313 Canada. G-CD1,G-CNI 101 on-not N.America
3.	Column-inner....RHD and LHD...	37H1764...1		
4.	Column-inner-steering lock fitted.....RHD.....	37H3231...1	N.L.A	G-CD1 101-1493 G-CNI 101-3313 Canada.
	Column-inner-steering lock fitted.....LHD.....	37H3232...1	N.L.A	
5.	Column-outer....RHD and LHD...	37H1763...1	N.L.A	101 on not N.America.
6.	Column-outer-steering lock fitted.....RHD.....	37H3229...1	N.L.A	
	Column-outer-steering lock fitted.....LHD.....	37H3230...1	N.L.A	
7.	Bearing-upper.....	31G120...1	GSV1095	
8.	Bearing-lower.....	17H6565...1		
8A.	Bearing-lower.....	13H569...1		
9.	Clip-retaining.....	13H568...1	N.L.A	STEERING LOCK FITTED.
10.	Clamp-column.....	AHH6005...2	N.L.A	
11.	Piece-distance.....	AHH6006...2	N.L.A	
12.	Bolt.....	HBZ0518...2	BH605181	
13.	Nut.....	FNZ105...2	GHF201	
14.	Washer-plain.....	PWZ105...2	GHF301	
15.	Washer-spring.....	LWZ205...2	GHF332	
16.	Bracket-lower-column.....	AHH6311...1	N.L.A	
17.	Excluder-draught.....	AHC153...1	N.L.A	
30.	Wire-earthing.....	AHC637...1	130581	
18.	Lock assy-steering.....	13H4180...1	BHA5215	G-CD1 101-1493 G-CNI 101-3313 Canada. 101-3342 not N.America.
19.	Switch-ignition.....	27H6237...1	N.L.A	G-CD1,G-CNI 3343 on not N.America.
20.	Bolt-shear.....	27H9394...2		
21.	Key-quote number.....	27H9391..A/R	N.L.A	
18.	Lock assy-steering.....	13H4862...1	BHA5215	
19.	Switch-ignition.....	27H6237...1	N.L.A	
20.	Bolt-shear.....	27H9394...2		
22.	Cap-switch.....	27H6236...1	N.L.A	
23.	Screw.....	27H6238...2	N.L.A	

122

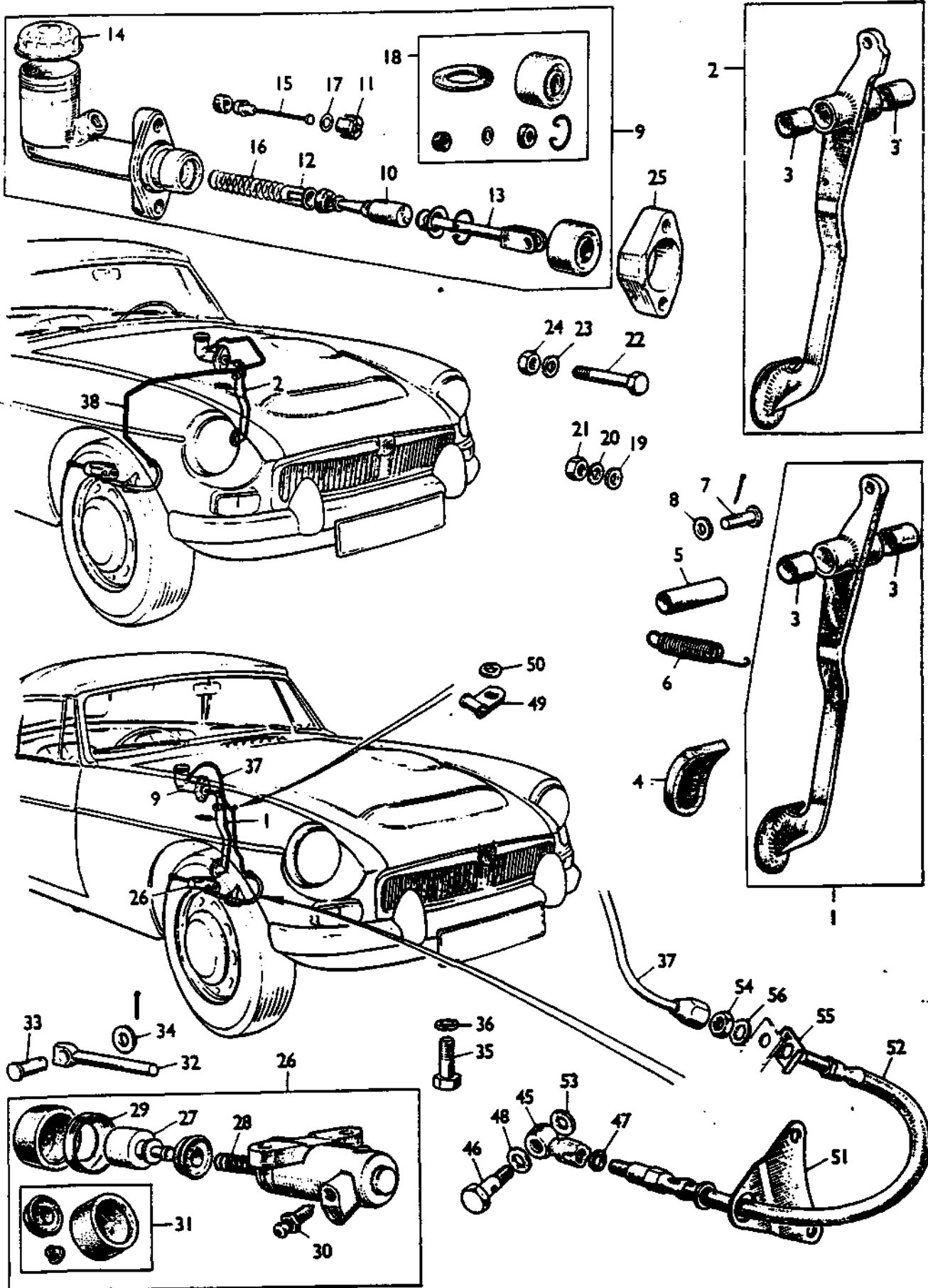


123

**STEERING**  
**Continued**

24.	Wheel-steering.....	..AHC761....1	N.L.A	G-CD1 101 on USA Canada 1494-7315 G-CNI 101 on USA Canada 3314-7315
	Wheel-steering.....	..AHC883....1	N.L.A	G-CD1,G-CNI 7316 on.
25.	Nut-steering wheel.....	..AHH8561...1	Available	G-CD1,G-CNI 101 on.
26.	Column-steering-collapsible	..AHC649....1	N.L.A	G-CD1 101 on U.S.A. 1494 on Canada. G-CNI 101 on U.S.A. 3314 on Canada.
27.	Screw.....N.AMERICA	..HZS0610...3	SH606101	
28.	Washer-spring.....	..LWZ206....6	GHF333	
29.	Washer-plain.....	..PWZ206....6	N.L.A	
31.	Washer-packing.....	..AHH8695..A/R	N.L.A	
32.	Screw.....	..HZS0506...3	SH605061	
33.	Washer-plain.....	..PWZ105....3	GHF301	
34.	Washer-spring.....	..LWZ206....3	GHF333	
35.	Seal-column to toe panel...	..AHA8720...1	N.L.A	
36.	Lock assy-steering...NORTH.	..BHA4715...1	N.L.A	
37.	Switch-ignitition...AMERICA.	..37H4114...1	N.L.A	
38.	Screw-retaining.....FOR.....	..37H4113...1	N.L.A	
39.	Bolt-shear.....GERMANY.	..BHA4714...1	N.L.A	
40.	Joint assy-universal.....	..BHA4654...1	N.L.A	
41.	Yoke-flange.....	..37H1825...1	N.L.A	
42.	Yoke-end.....	..17H3925...1	N.L.A	
43.	Journal assembly.....	..17H3873...1	GUJ200	
44.	Circlip.....	..CCN212....4	N.L.A	
45.	Bolt.....	..HBZ0513...2	N.L.A	
46.	Nut.....	..FNZ105....2	GHF201	
47.	Washer-spring.....	..LWZ205....2	GHF332	
48.	Coupling.....	..AHC634....1	N.L.A	
49.	Plate-coupling.....	..AHC635....2	N.L.A	
50.	Bolt.....	..AHC636....4	N.L.A	
51.	Nut-locking.....	..LNZ105....4		
52.	Washer-spring.....	..LWZ205....4	GHF332	
53.	Nut.....	..FNZ105....2	GHF201	
54.	Washer-spring.....	..LWZ205....2	GHF332	

124

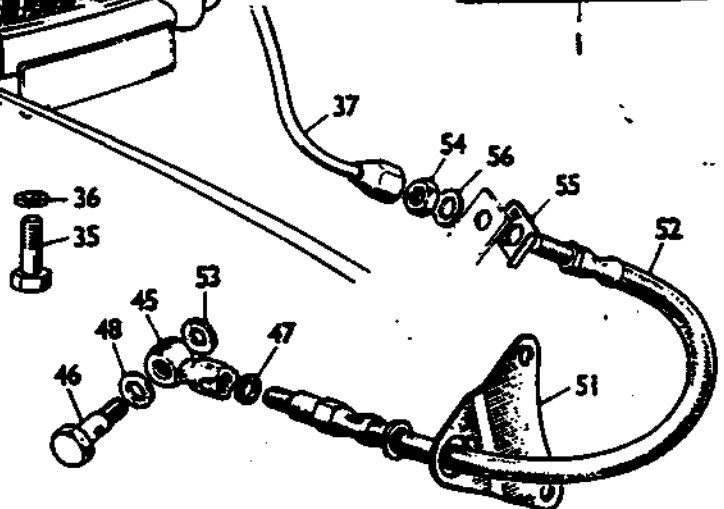
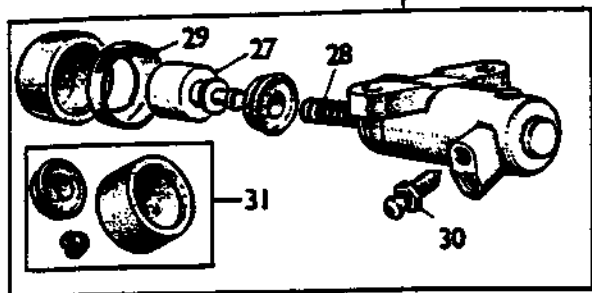
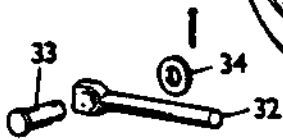
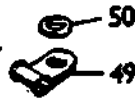
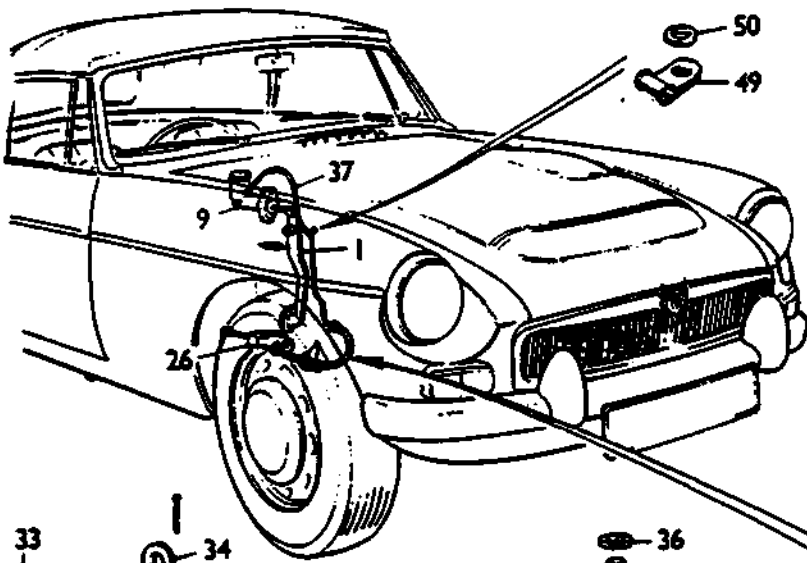
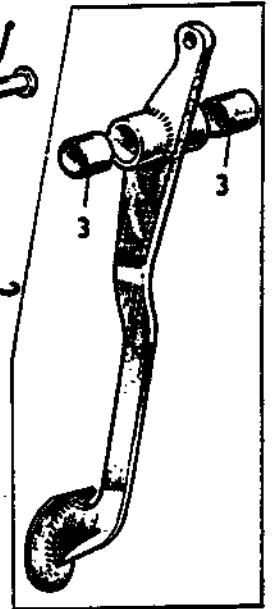
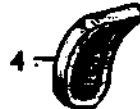
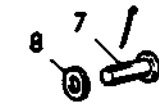
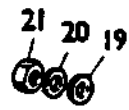
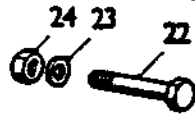
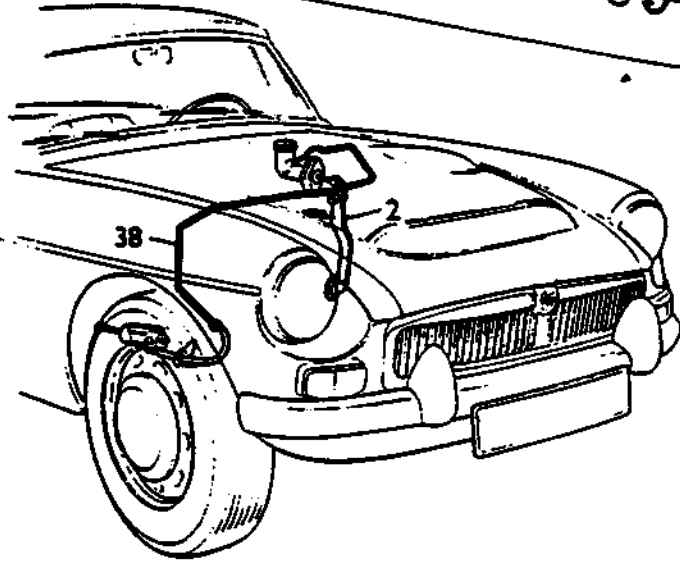
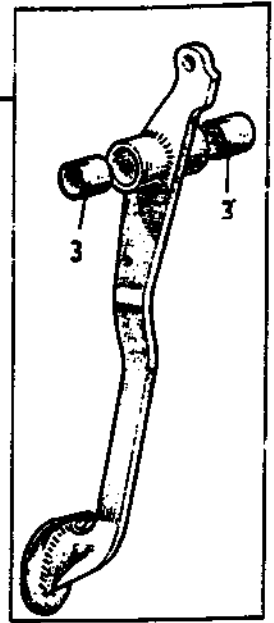
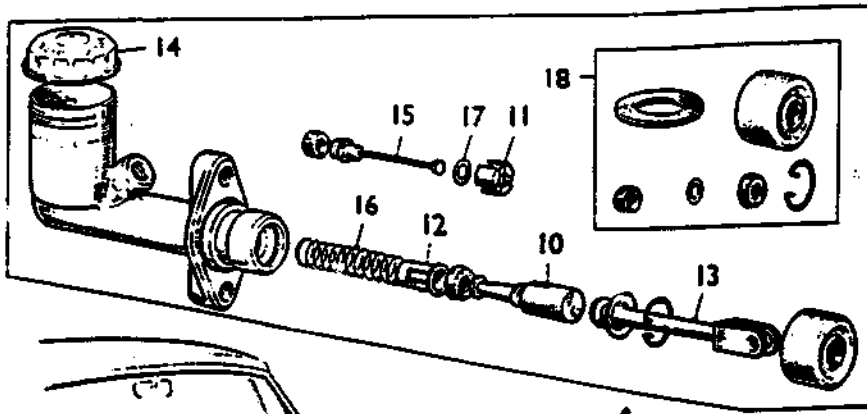


125

## CLUTCH AND CONTROLS

1.	Pedal assembly-clutch.....AHC130....1	N.L.A	G-CD1 101-1493 Canada. 101 on not N.America. G-CN1 101-3313 Canada. 101 on not N.America.
2.	Pedal assembly-clutch NORTH AMERICA.....AHC659....1	N.L.A	G-CD1 101 on U.S.A. 1494 on Canada. G-CN1 101 on U.S.A. 3314 on Canada.
3.	Bush.....1G9310....2	N.L.A	
4.	Pad-pedal (rubber).....AHH5100...1		
5.	Tube-distance.....AHC377....1	N.L.A	
6.	Spring-pull off-pedal.....AAA1628...1		
7.	Pin-clevis.....CLZ514....1		
8.	Washer-plain.....PWZ105....1	GHF301	
9.	Cylinder assembly-master.....BHA4520...1		
10.	Plunger.....17H8113...1	N.L.A	
11.	Spacer-valve.....17H4132...1	N.L.A	
11.	Spacer-valve.....37H2938...1	N.L.A	] ALTERNATIVE
12.	Retainer-spring.....17H4827...1	N.L.A	
13.	Push rod.....27H8140...1	AVAILABLE	
14.	Cap-filler.....17H4508...1	500201A	
15.	Stem-valve.....7H4751....1	N.L.A	
16.	Spring.....7H4944....1	510815A	
17.	Washer-valve.....7H4752....1	N.L.A	
18.	Kit-master cylinder repair....8G8806....1	GRK1029	
19.	Washer-plain.....PWZ105....1	GHF301	
20.	Washer-spring.....LWZ205....1	GHF332	
21.	Nut.....FNZ105....1	GHF201	
22.	Screw.....HZZ516....1	SH605161	
23.	Washer-spring.....LWZ205....1	GHF332	
24.	Nut.....FNZ105....1	GHF201	
25.	Spacer-cylinder to box.....AHC382....1	N.L.A	
26.	Cylinder assy -clutch slave...13H3891...1		
27.	Piston.....27H2125...1	N.L.A	
28.	Spring.....7H4790....1	N.L.A	
29.	Retainer-piston.....27H2127...1	N.L.A	
30.	Screw-bleed.....7H4973....1	3H2428	
31.	Kit-slave cylinder repair....8G8885....1		
32.	Push rod.....22B465....1	22B65	
33.	Clevis pin.....CLZ517....1		
34.	Washer-plain.....PWZ105....1	GHF301	
35.	Screw.....ZCS609....2	SH506091	
36.	Washer-spring.....LWZ206....2	GHF332	

126

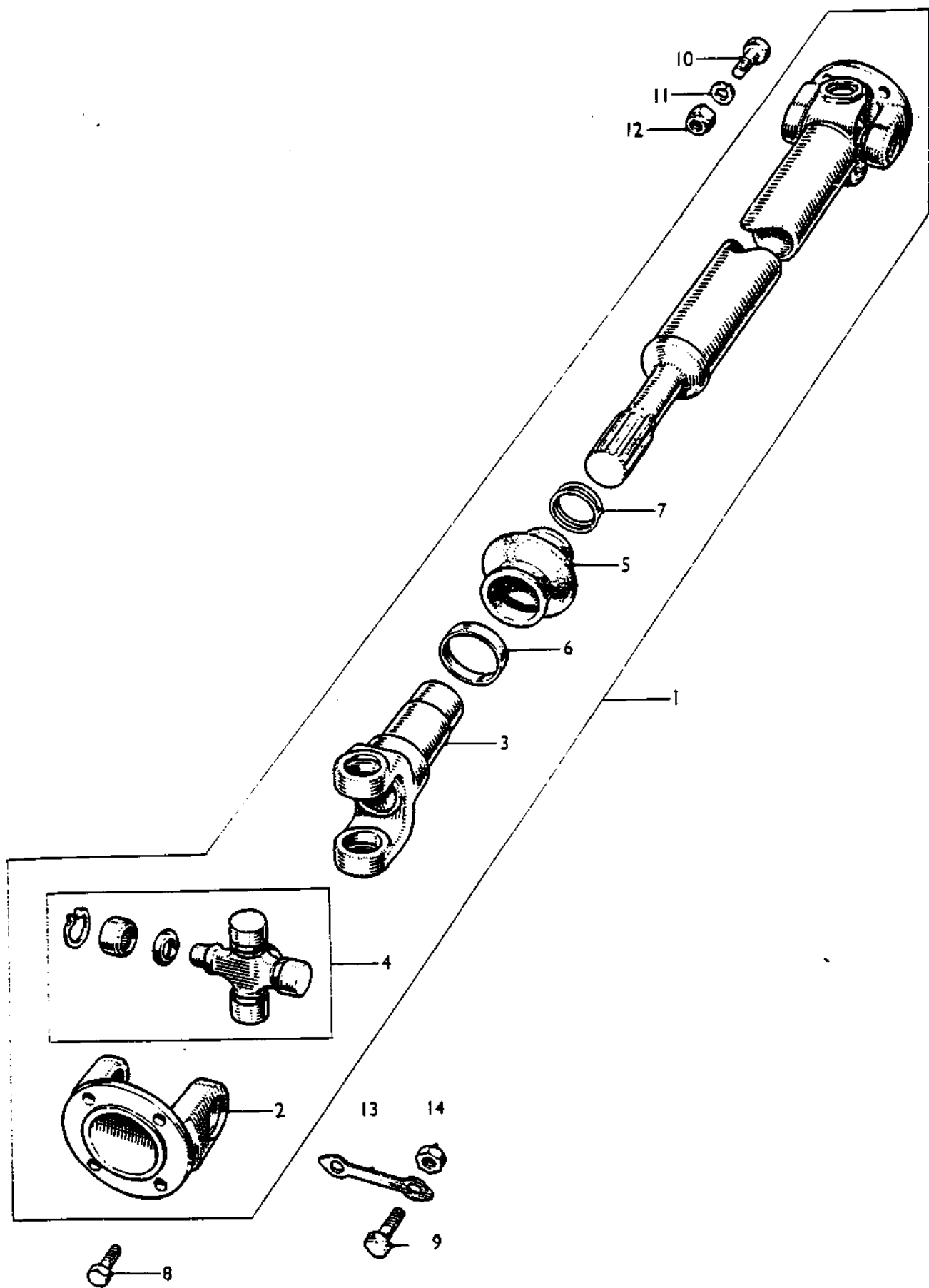


127

**CLUTCH AND CONTROLS**  
(Continued)

37.	Pipe-master cylinder 27" (68.5cm).....	RHD.....	11H217.....	1	AVAILABLE	
38.	Pipe-master cylinder 52" (132cm).....	LHD.....	21B121.....	1	AVAILABLE	G-CD1 101-1493 Canada. 101 on not N.America. G-CN1 101-3313 Canada. 101 on not N.America.
38.	Pipe-master cylinder 56" (148cm)...	NORTH AMERICA....	BMK441.....	1	AVAILABLE	G-CD1 101 on U.S.A. 1494 on Canada. G-CN1 101 on U.S.A. 3314 on Canada.
45.	Connection-banjo.....		13H1512...	1	AVAILABLE	
46.	Bolt-connection banjo.....		13H1984...	1		
47.	Gasket.....		3H876.....	1	"	
48.	Gasket.....		2H4810.....	1		
49.	Clip-pipe to body.....	RHD.]	PCR311.....	1	"	
50.	Washer-clip.....		PWZ205.....	1		
51.	Bracket-clutch hose.....		AHC559.....	1		N.L.A
52.	Hose-clutch.....		BMK1205...	1		GBH136
53.	Gasket-hose.....		3H2287.....	1		233220A
54.	Nut-lock.....		FNZ206.....	1		NT606041
55.	Plate-locking.....		2F5281.....	1		N.L.A
56.	Washer-lock.....		LWZ406.....	1		GHF323





(129)

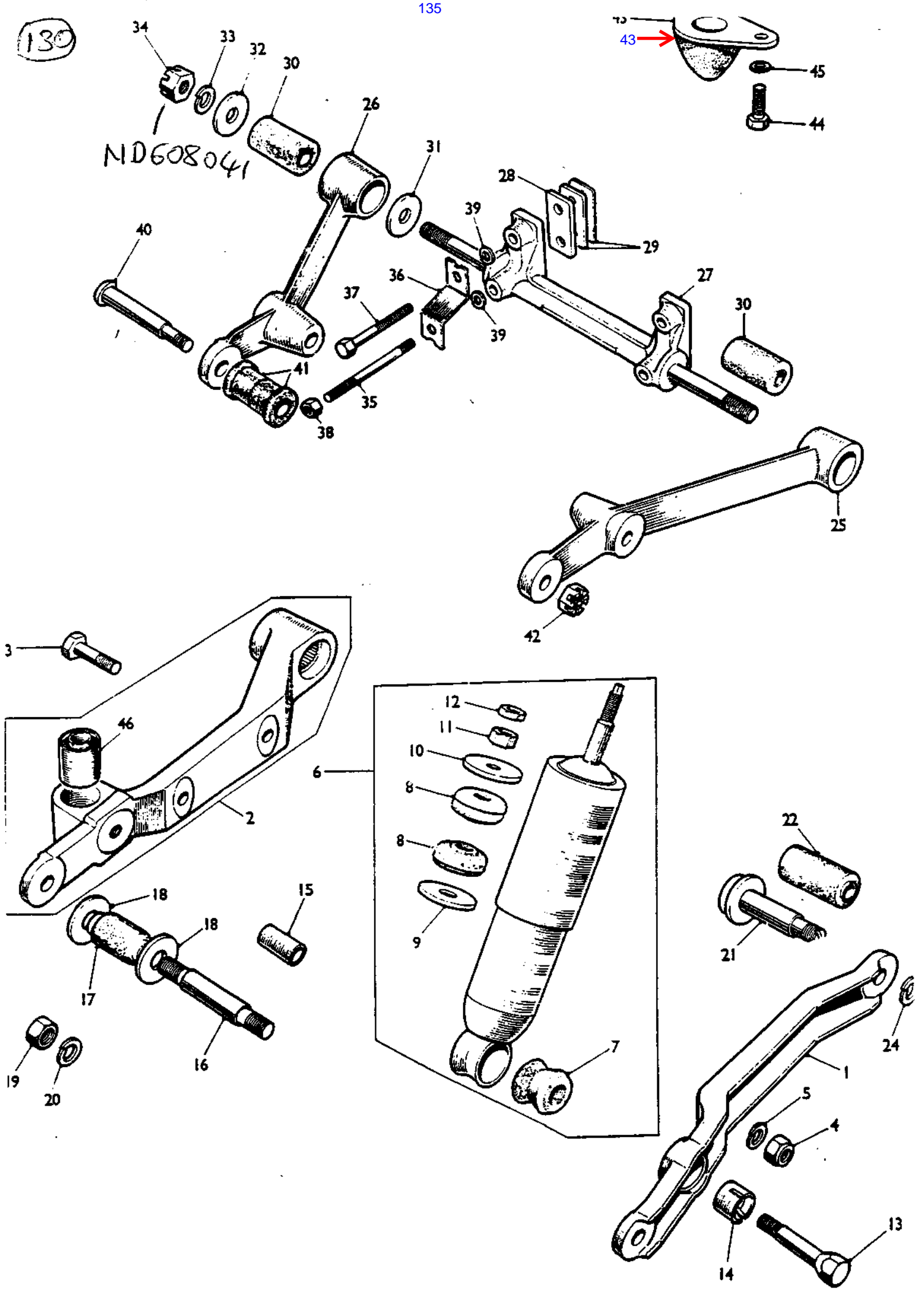
## PROPELLER SHAFT

1.	Shaft assembly, propeller.....	AHC113....1	+EXCH-AHC113E	
2.	F lange, yoke.....	17H3909...2	600656A	
3.	Sleeve, yoke.....	27H8095...1	27H8095	
4.	Journal assembly.....	18G8183...2	GUJ108	
	Seal, lip.....	NSP.....8		
	Bearing.....	NSP.....8		
	Circlip.....	NSP.....8		
5.	Boot, rubber.....	27H8098...1	140753	
6.	Clip.....	27H8097...1	N.L.A.	
7.	Clip, flange.....	27H8100...2	N.L.A.	
	Bolt			
8.	Gearbox flange.....	53K117....4		
9.	Gearbox flange.....	22B483....4		OVERDRIVE
10.	Axle flange.....	53K1048...4		
11.	Washer, spring.....	LWZ306..8/4	N.L.A.	REDUCED FOR
12.	Nut.....	LNZ106..8/4	N.L.A.	OVERDRIVE
13.	Washer, lock, g/box flange.....	2K5914....2		
14.	Nut.....	FNZ106....4	GHF202	OVERDRIVE

01682 325330

130

ND608041

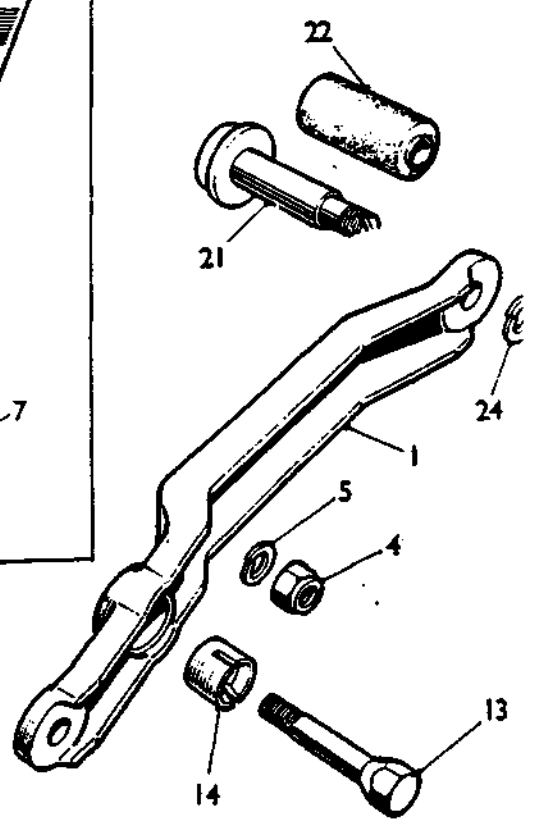
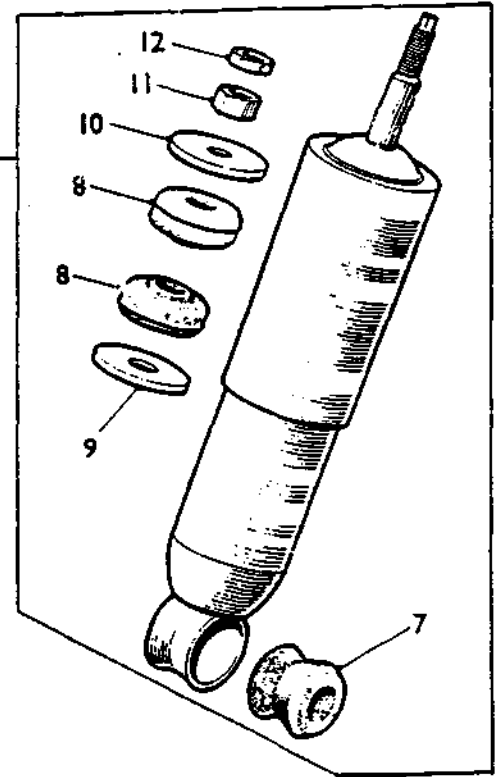
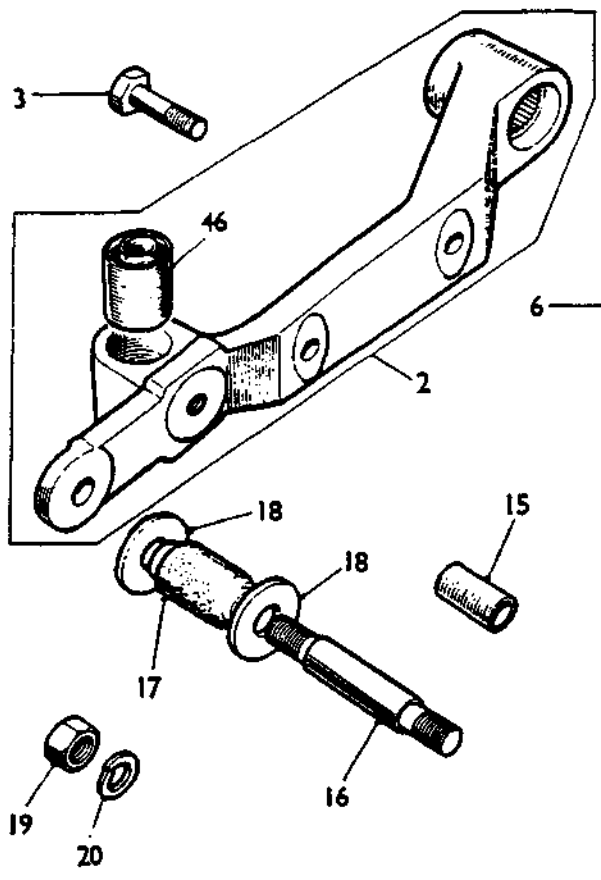
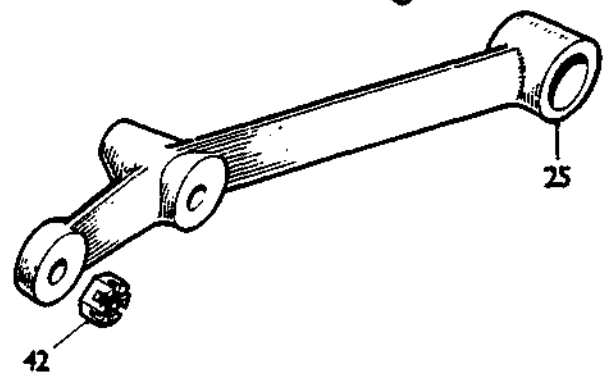
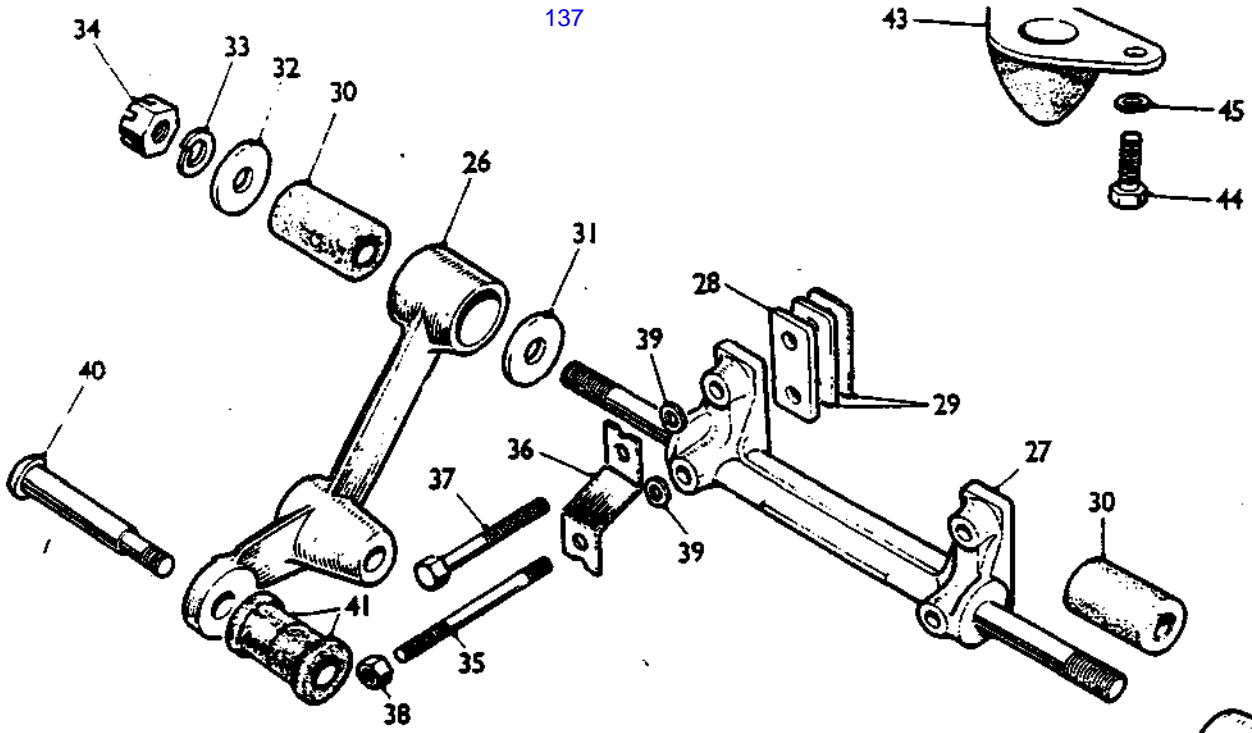


(131)

## FRONT SUSPENSION

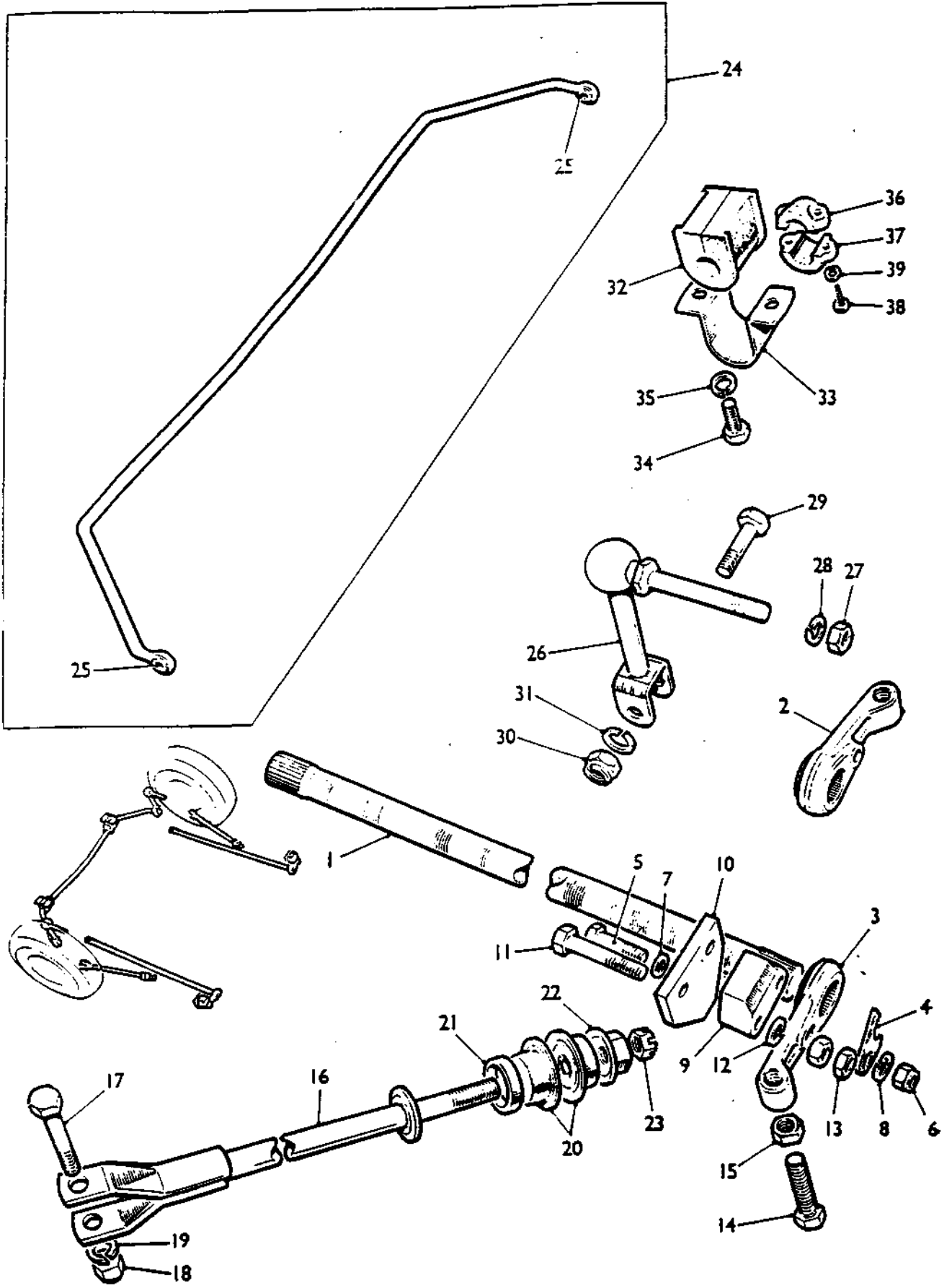
	FRONT SUSPENSION ASSEMBLY.....NSP.....	1	
1.	Arm, lower, front.....	BTB821....2	N.L.A.
2.	Arm assembly, lower, rear.....	BTB870....2	N.L.A.
46.	Bush.....	BTB827....2	
3.	Bolt.....	AHC139....4	BH606131
4.	Nut, lock.....	LNZ206....4	GHF223
5.	Washer, spring.....	LWZ206....4	GHF333
6.	Absorber assembly, shock.....	AHC44....2	GSA121
7.	Rubber, mounting, bottom.....	27H8870....2	
8.	Rubber, mounting, stem.....	27H8871....4	21A860
9.	Washer, mounting, large.....	21A858....2	N.L.A.
10.	Washer, mounting, small.....	21A859....2	N.L.A.
11.	Nut.....	FNN106....2	NH606041
12.	Nut, lock.....	27H2861....2	NT606041
13.	Pin, lower.....	AHC82....2	
14.	Collar, split, lower.....	AHC84....2	
15.	Piece, distance, lower.....	AHC83....2	
16.	Pin, bottom, swivel.....	AHC81....2	
17.	Bush, lower arm, outer.....	AHC722....2	
18.	Washer, bush.....	AHC724....4	
19.	Nut.....	FNZ508....4	
20.	Washer, spring.....	LWZ208....4	N.L.A.
21.	Fulcrum, inner.....	AHC650....2	
22.	Bush, fulcrum.....	AHC653....2	
23.	Nut.....	FNZ508....2	
24.	Washer, spring.....	LWZ308....2	GHF335
25.	Arm, top, front.....	BTB815....2	N.L.A.
26.	Arm, top, rear.....	BTB816....2	N.L.A.
27.	Bracket, pivot.....	BTB817....2	N.L.A.
	Shim, pivot bracket		
28.	.120" (2.59mm).....	AHC594....4	N.L.A.
29.	.064" (1.626mm).....	AHC90....A/R	N.L.A.
29.	.036" (.914mm).....	AHC150....A/R	N.L.A.
30.	Bush.....	BTB818....4	
31.	Washer, inner.....	BTB819....4	N.L.A.
32.	Washer, spring.....	BTB820....4	N.L.A.
33.	Washer, spring.....	LWZ208....4	
34.	Nut.....	FNZ708....4	N.L.A.
35.	Stud, pivot bracket.....	AHC624....4	N.L.A.
37.	Bolt.....	HBZ0514....4	BH605141
35.	Stud, pivot bracket.....	AHC782....4	N.L.A.
37.	Bolt.....	AHC781....4	N.L.A.
36.	Plate, lock, pivot bracket.....	AHC292....4	N.L.A.
38.	Nut.....	12A1....4	N.L.A.

132



133

39.	Washer, spring.....	LWZ305.....	4	
40.	Pin, link, top.....	1G4349.....	2	
41.	Bush, link, top.....	2A4144.....	4	Y9
42.	Nut, slotted.....	FNZ407.....	4	NL607041
43.	Bump, rubber.....	AHC58.....	2	
44.	Screw.....	HZS0506....	4	SH605061
45.	Washer, spring.....	LWZ205.....	4	GHF332

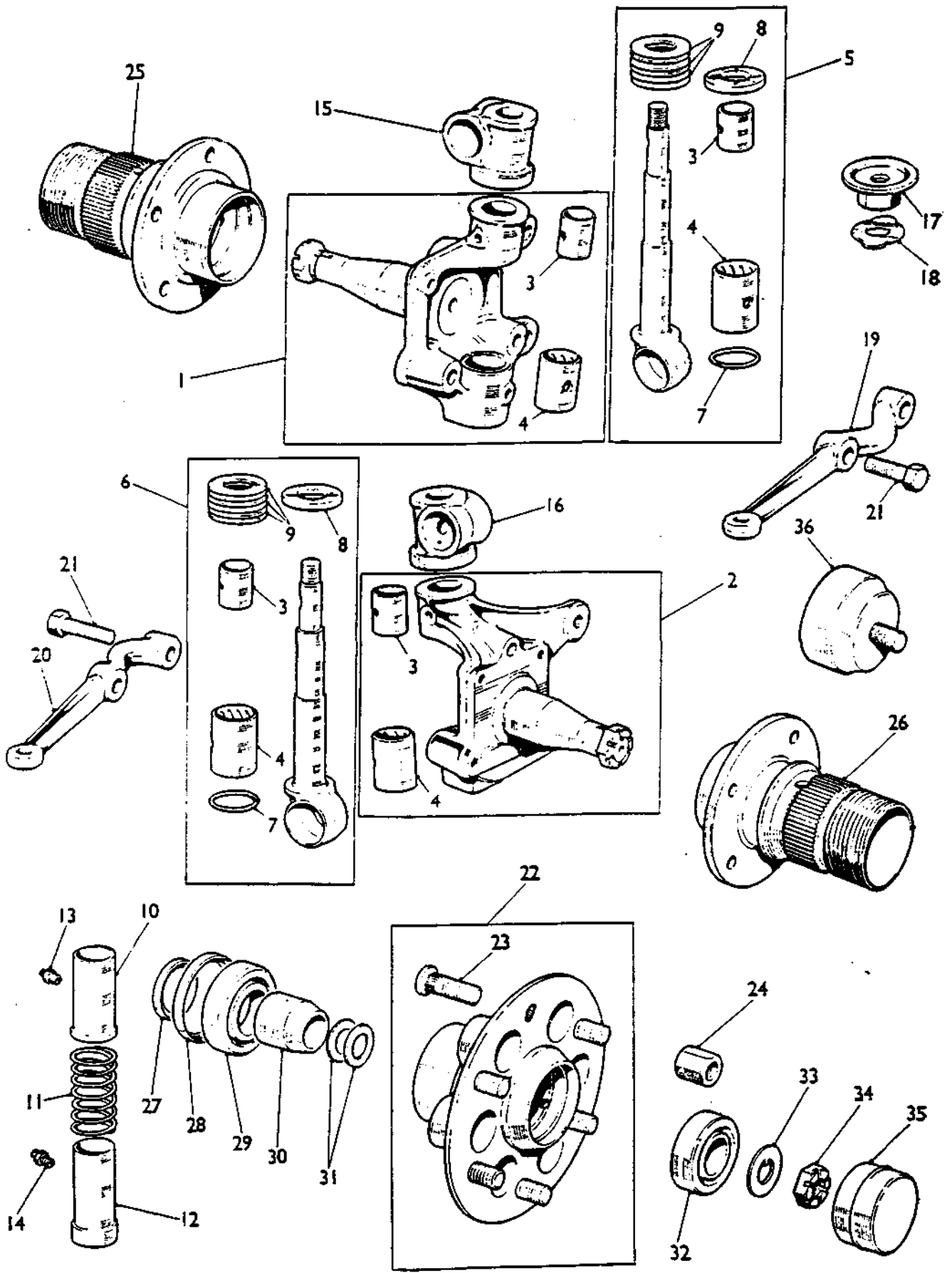


135

## FRONT SUSPENSION.....

1.	Bar, torsion.....	AHC238....	2	N.L.A.
2.	Lever, vernier, RH.....	AHC42....	1	N.L.A.
3.	Lever, vernier, LH.....	AHC43....	1	N.L.A.
4.	Plate, retaining.....	21G4016....	2	N.C.A.
5.	Bolt.....	HBZ0514....	2	BH605141
6.	Nut, lock.....	LNZ205....	2	GHF222
7.	Washer, plain.....	PWZ105....	2	GHF301
8.	Washer, spring.....	LWZ305....	2	
9.	Block, vernier adjustment.....	AHC45....	2	N.L.A.
10.	Plate, reinforcement.....	AHC285....	2	N.L.A.
11.	Bolt.....	HBZ0620....	4	BH606201
12.	Washer, spring.....	LWZ306....	4	GHF333
13.	Nut, lock.....	FNZ106....	4	GHF202
14.	Bolt, vernier.....	AHC46....	2	N.L.A.
15.	Nut, lock.....	FNZ208....	2	
16.	Tie, bar.....	AHC49....	2	N.L.A.
17.	Bolt.....	AHC147....	2	
18.	Nut, lock.....	LNZ207....	2	GHF224
19.	Washer, spring.....	LWZ307....	2	GHF334
20.	Bush, tie bar.....	AHC406....	4	
21.	Retainer, bush.....	ACG4020....	2	N.L.A.
22.	Nut & washer.....	AHC73....	2	Available as of July 2017
23.	Nut, slotted.....	FNZ408....	2	NL608041
24.	Bar assembly, anti roll.....	AHC53....	1	
25.	Bush.....	AHH5939....	2	
26.	Link, anti roll bar.....	AHC56....	2	
27.	Nut.....	FNZ107....	2	GHF203
28.	Washer, spring.....	LWZ307....	2	GHF334
29.	Bolt, link to anti roll bar....	AHC146....	2	
30.	Nut, thin.....	BHA4557....	2	N.L.A.
31.	Washer, spring.....	LWZ207....	2	WL600071
32.	Bearing, anti roll bar.....	11H460....	2	
33.	Strap, bearing.....	11H459....	2	N.L.A.
34.	Screw.....	HZS0506....	4	SH60506
35.	Washer, spring.....	LWZ205....	4	GHF332
36.	Locator, upper.....	11H462....	2	11H462K
37.	Locator, lower.....	11H463....	2	
38.	Screw.....	PMZ0312....	4	
39.	Washer, spring.....	LWZ203....	4	WL700101

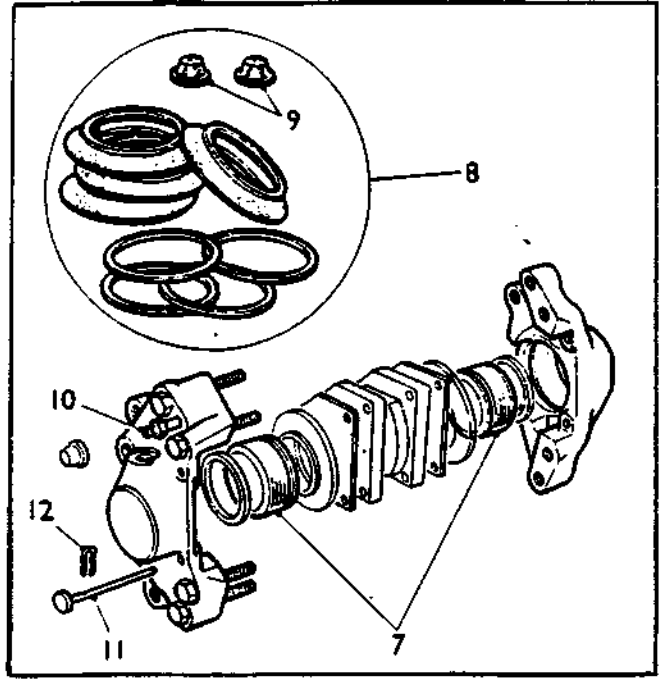
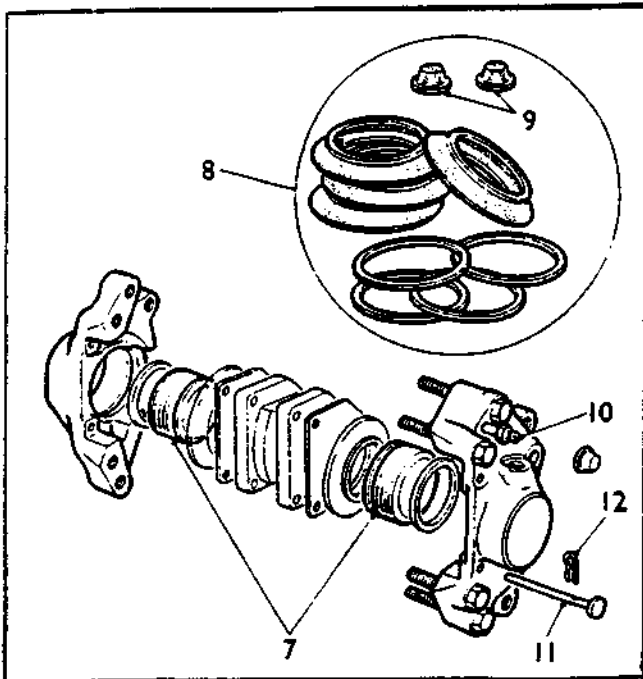
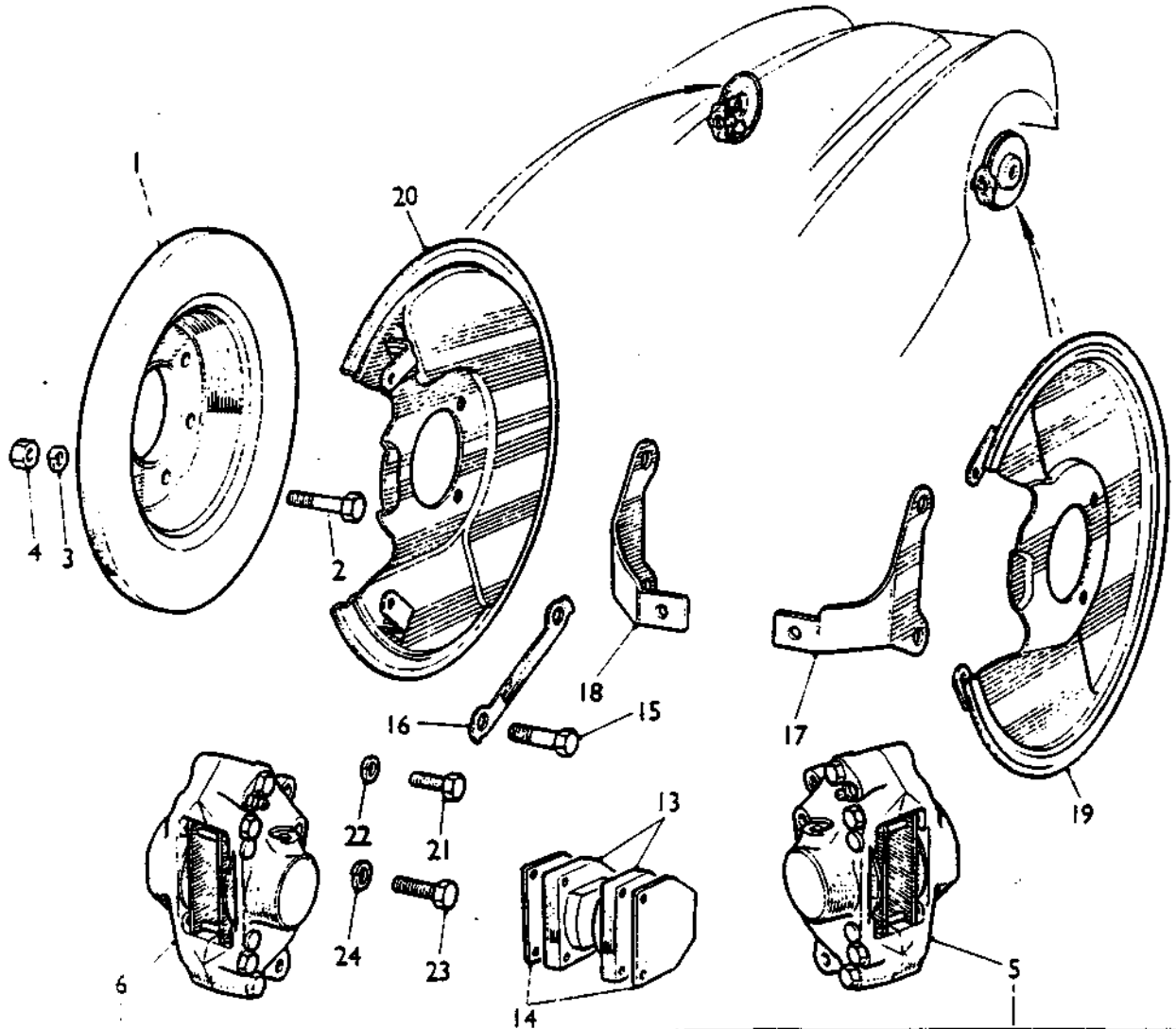




(137)

## FRONT SUSPENSION.....

1.	Axle assembly, swivel, RH.....	BTB798....1	BTB798E
2.	Axle assembly, swivel, LH.....	BTB799....1	BTB799E
3.	Bush, top.....	1B4610....2	
4.	Bush.....	BTB802....2	
5.	Repair kit, swivel pin & bush..	8G4230....2	RH
6.	Kit, repair, swivel pin & bush..	8G4231....1	LH
	Pin, swivel.....	NSP.....2	
3.	Bush, top.....	1B4610....2	
4.	Bush, bottom.....	BTB802....2	
7.	Ring, sealing.....	TRS1721...4	
8.	Washer, thrust.....	BTB803....2	N.L.A.
	Washer, floating thrust		
9.	.052 to .057" (1.32-1.44mm)....	ATC4261..A/R	
9.	.058 to .063" (1.47-1.60mm)....	ATC4262..A/R	
9.	.064 to .069" (1.62-1.75mm)....	ATC4263..A/R	
10.	Tube, dust excluder, top.....	1B4605....2	
11.	Spring, dust excluder.....	1B4607....2	N.C.A.
12.	Tube, dust excluder, bottom....	21B225....2	N.L.A.
13.	Lubricator, top.....	UHN400....2	
14.	Lubricator, bottom.....	UHN455....2	
15.	Trunnion, RH.....	BTB804....1	N.L.A.
16.	Trunnion, LH.....	BTB805....1	N.C.A.
17.	Pad, reaction.....	BTB831....2	
18.	Plate, locking, reaction pad....	BTB834....2	N.L.A.
19.	Lever, steering, RH.....	BTB806....2	N.L.A.
20.	Lever, steering, LH.....	BTB807....2	N.L.A.
21.	Bolt.....	BTB410....4	
22.	Hub assembly...steel wheel. ]	BTB813....2	N.L.A.
23.	Stud, wheel.....	BTB187....8	
24.	Nut, wheel stud.....	BTB354....8	
	Nut, wheel stud, CP.....	AHH9152...8	
25.	Hub, RH.....W/Wheel. ]	BTB878....1	
26.	Hub, LH.....	BTB879....1	
27.	Collar, oil seal.....	BTB183....2	N.C.A.
28.	Seal, oil.....	88G441....2	GHS101
29.	Bearing, hub, inner.....	BTC280....2	GHB105
30.	Spacer, bearing.....	88G484....2	N.C.A.
	Shim		
31.	.008" (.076mm).....	ATB4240..A/R	
31.	.005" (.126mm).....	ATB4241..A/R	
31.	.010" (.254mm).....	ATB4242..A/R	
31.	.030" (.764mm).....	BTB656...A/R	
32.	Bearing, hub, outer.....	ATB4238....2	GHB102
33.	Washer, retaining.....	1B4392....2	N.L.A.
34.	Nut, retaining.....	51K330....2	53K330
35.	Cap, grease.....disc wheel..	ATB4098....2	
36.	Cap, grease.....w/wheel....	BTC392....2	

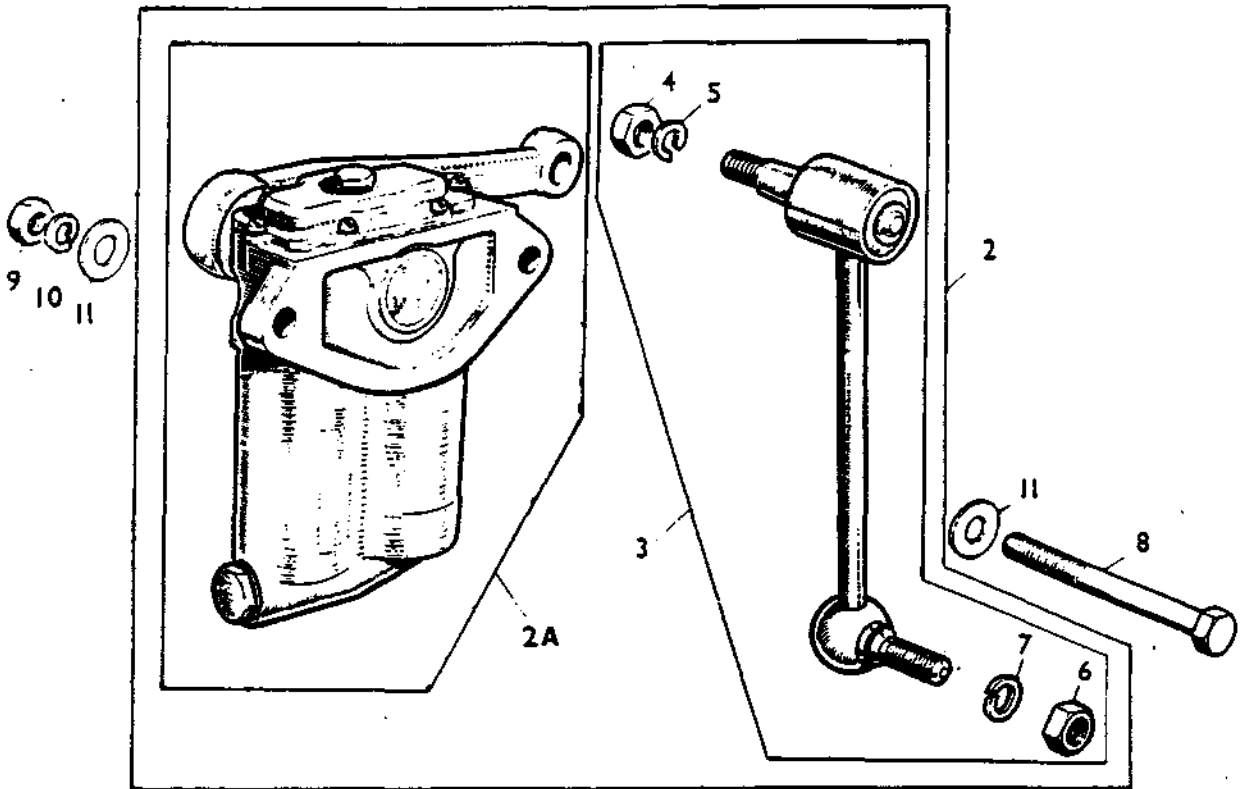
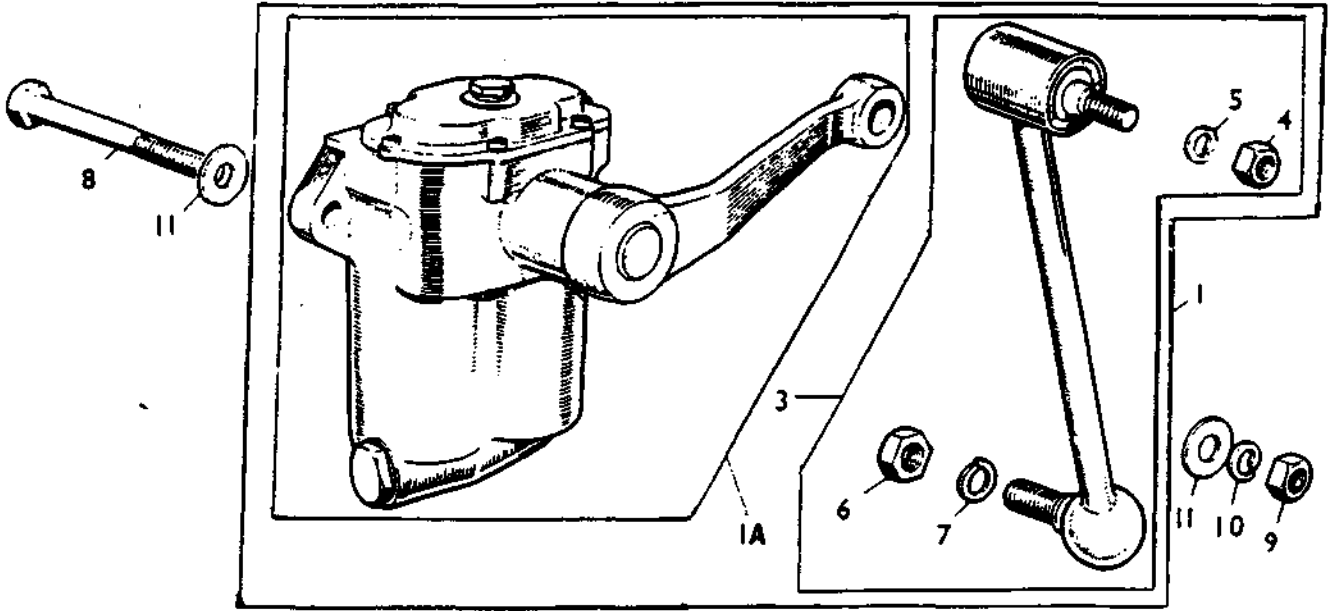


(139)

## FRONT SUSPENSION.....

1.	Disc,brake.....	BTC371....	2	
2.	Bolt,disc to hub.....	BTC378....	10	53K117
3.	Washer, spring.....	LWZ206....	10	GHF333
4.	Nut.....	FNZ106....	10	GHF202
5.	Calliper unit assembly (less pads & shims),RH.....	27H2988....	1	27H2988E
6.	Calliper unit assembly (less pads & shims),LH.....	27H2989....	1	27H2989E
7.	Piston.....	27H2949....	4	510792
8.	Kit,caliper,repair.....	8G8943..	2sets	601960
9.	Cap,bleed screw.....	7H4419....	2	234957A
10.	Screw,bleed.....	27H2951....	2	601959
10.	Screw,bleed.....	17H4637....	2	601959
11.	Pin,pad retaining.....	17H4640....	4	
12.	Clip,pin retaining.....	17H4640....	4	
13.	Pad,friction.....	18G8398..	1set	GBP114
14.	Shim,damping.....	27H2953....	4	
15.	Bolt,calliper attachment.....	BTA376....	4	N.L.A.
16.	Washer,lock.....	BTB932....	2	
17.	Bracket,brake hose,RH.....	BTB930....	1	N.L.A.
18.	Bracket,brake hose,LH.....	BTB931....	1	N.L.A.
19.	Cover,dust,brake disc,RH.....	BTB808....	1	N.L.A.
20.	Cover,dust,brake disc,LH.....	BTB809....	1	N.L.A.
21.	Bolt.....	HZS0403....	4	SH604031
22.	Washer, spring.....	LWZ204....	4	GHF331
23.	Bolt.....	HZS0504....	4	SH605041
24.	Washer, spring.....	LWZ205....	4	GHF332

140



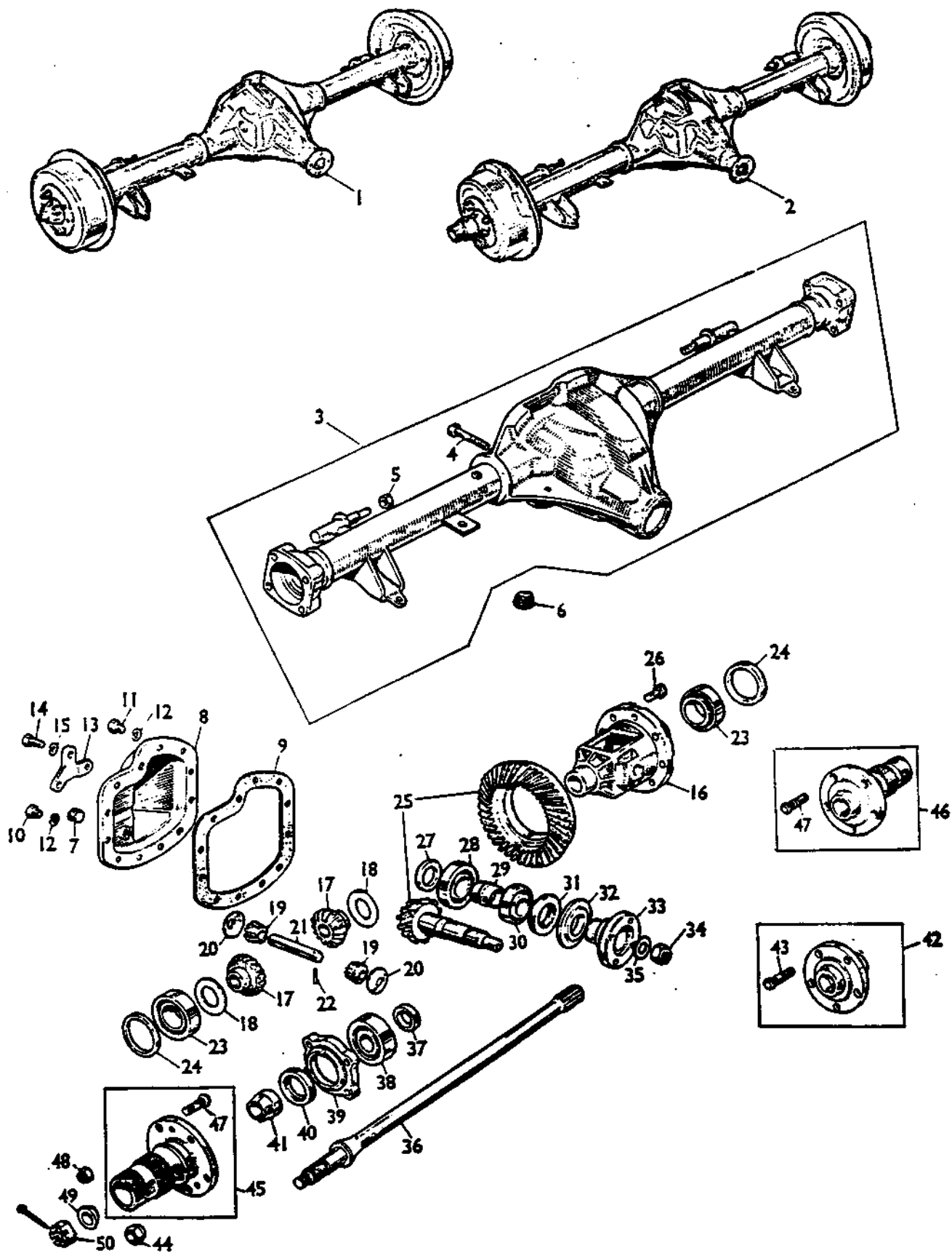
(141)

**SHOCK ABSORBERS**

## Shock absorber assembly

1.	Rear, RH.....	AHH8360...1	N.L.A.
	Rear, LH.....	AHH8361...1	N.L.A.
1a.	S/absorber, RH (less link).....	37H3058...1	GSA168
2a.	S/absorber, LH (less link).....	37H3059...1	GSA169
3.	Link assembly.....	97H2031...2	97H2031A
4.	Nut.....	FNZ507...2	N.L.A.
5.	Washer, spring.....	LWZ307...2	GHF334
6.	Nut.....	FNZ508...2	
7.	Washer, spring.....	LWZ308...2	GHF335
8.	Bolt.....	HBZ0726...4	BH607261
9.	Nut.....	FNZ107...4	GHF203
10.	Washer, spring.....	LWZ207...4	WL600071
11.	Washer, plain.....	PWZ107...8	WA600071

142



143

## REAR AXLE AND SUSPENSION

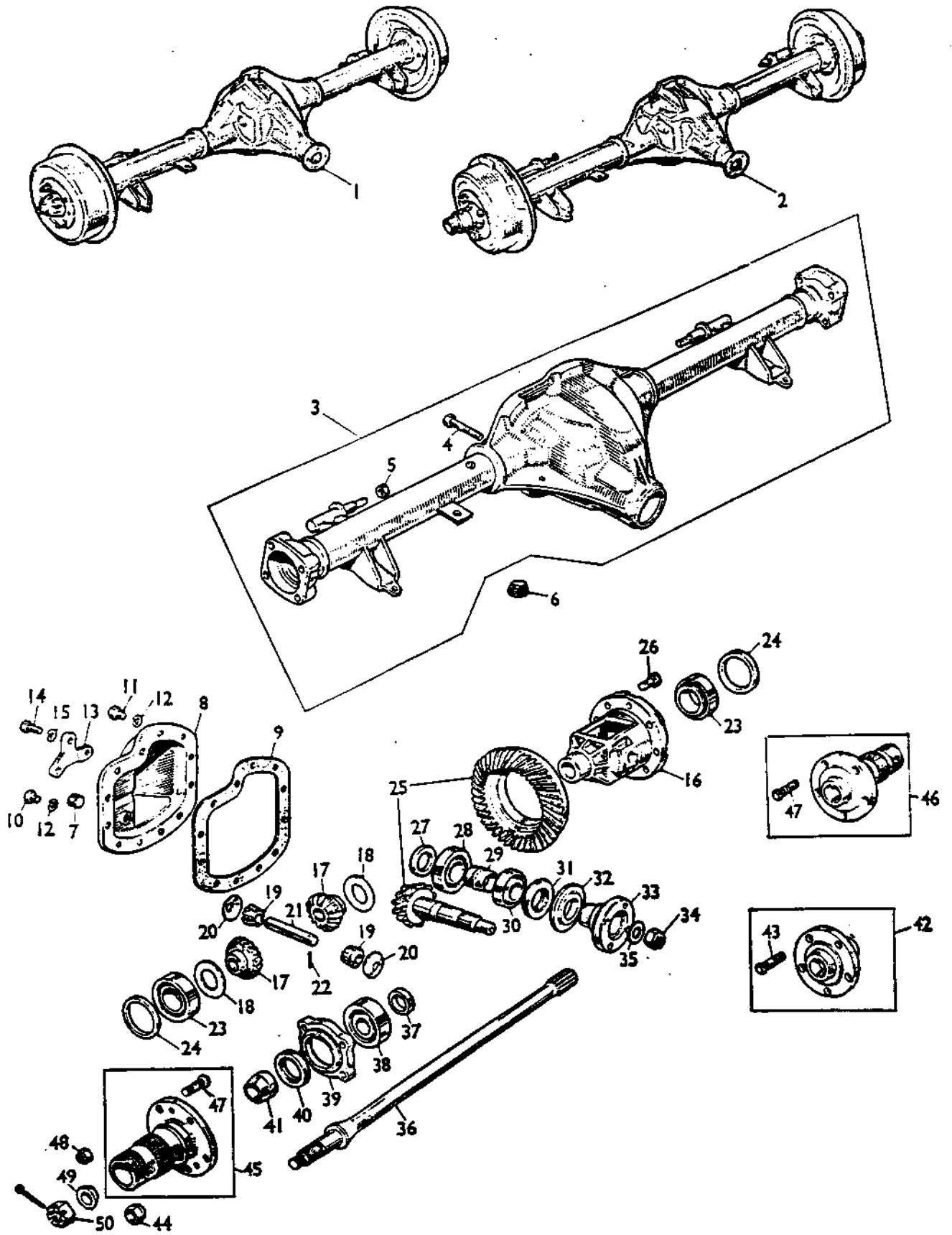
## REAR AXLE

## Axle assembly.

1.	14/43 teeth	Disc	BTB1068...1	G-CD1-101 to 4235. N.C.A. G-QN1-101 to 4265.
	(3.071:1 ratio)...wheels			
2.	STD.....	Wire wheels	BTB1069...1	
1.	13/43 teeth	Disc	BTB1058...1	N.L.A. G-CD1-101 to 4235.
	(3.307:1 ratio)...wheels			
2.	STD. Automatic & overdrive.	Wire wheels	BTB1059...1	N.L.A. O/Drive, 4236 on STD, 101 on automatic. G-QN1-101 to 4265.
1.	10/37 teeth	Disc	BTB1130...1	N.L.A. G-CD1-4236 on N.L.A. G-QN1-4266 on
	(3.7:1 ratio)....wheels			
2.	Overdrive...	Wire wheels	BTB1131...1	
3.	Case assy, disc wheel.....		BTB863....1	N.L.A.
3.	Case assy, wire wheel.....		BTB835....1	N.L.A.
4.	Bolt, bearing cap.....		BTB669....4	N.L.A.
5.	Nut.....		FNZ106....2	GHF202
6.	Plug, drain.....		6K499....1	
7.	Plug filler.....		6K499....1	
8.	Cover, axle case.....		BTB675....1	DAM2441X
9.	Washer, joint, axle case.....		BTB674....1	
10.	Bolt.....		HZS0504...8	SH604051
11.	Bolt, clip & cover.....		BTB872....2	
12.	Washer, spring.....		LWZ205...10	GHF332
13.	Bracket, compensating lever....		BTB738....1	N.L.A.
14.	Bolt, bracket.....		BTB676....2	N.L.A.
15.	Washer, spring.....		LWZ205....2	GHF332
16.	Cage, differential.....		BTB840....1	N.L.A.



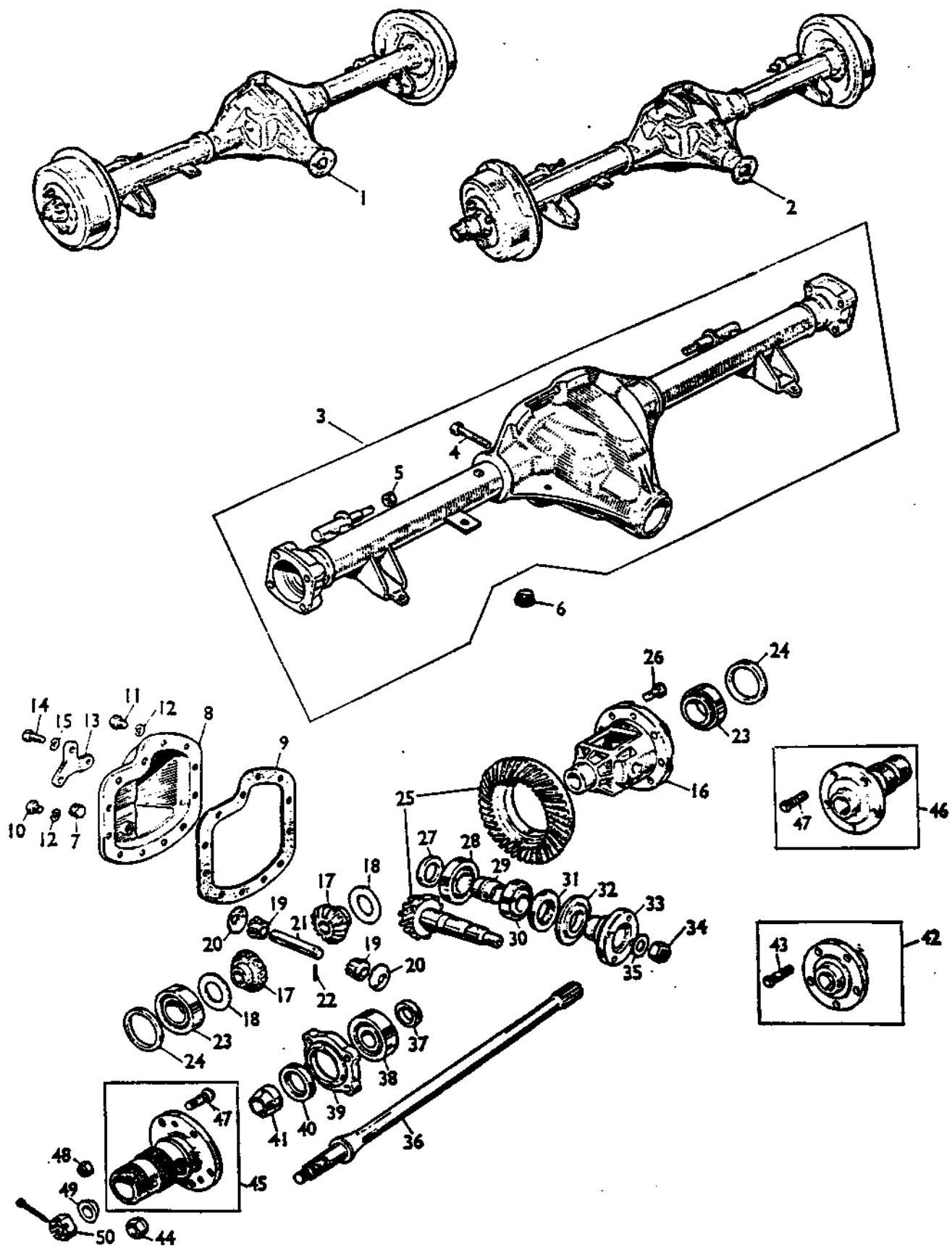
144



145

17.	Wheel, differential.....AJA6010...2	BTB428 (RA)101 to 744 disc wheels. 1276 wirewheels (RA)745 on disc wheels. ATB7123 1277 on wire wheels.
19.	Pinion, differential.....ATB7123...2	
17.	Wheel, differential.....BTB428...2	
19.	Pinion, differential.....BTB1249...2	
18.	Washer, thrust, wheel.....ATB7072...2	
20.	Washer, thrust, pinion.....1G7445...2	
21.	Pin, pinion.....BTB871...1	
22.	Roll-pin.....BTB715...1	
23.	Bearing, differential.....BTC9001...2	
	Collar distance.	
24.	.149" (3.784mm).....BTC466...2	
24.	.147" (3.734mm).....BTC465...2	
24.	.145" (3.683mm).....BTC464...2	N.L.A.
24.	.143" (3.632mm).....BTC463...2	N.L.A.
24.	.141" (3.581mm).....BTC462...2	
24.	.139" (3.530mm).....BTC461...2	
24.	.137" (3.480mm).....BTC286...2	N.L.A.
24.	.135" (3.429mm).....BTC287...2	
24.	.133" (3.378mm).....BTC288...2	
24.	.131" (3.327mm).....BTC289...2	N.L.A.
24.	.129" (3.277mm).....BTC290...2	
24.	.127" (3.226mm).....BTC291...2	
24.	.125" (3.175mm).....BTC292...2	
24.	.123" (3.124mm).....BTC293...2	
24.	.121" (3.073mm).....BTC460...2	
24.	.119" (3.022mm).....BTC459...2	N.L.A.
24.	.117" (2.972mm).....BTC458...2	
24.	.115" (2.921mm).....BTC457...2	N.C.A.
	Crown wheel (with pinion)	
25.	14/43 teeth	
	(3.071:1) ratio.....STD....BTB900....1	G-CD1 101-4235 G-CNI 101-4265
	13//43 teeth	
	(3.307:1) ratio.....STD	
	AUTOMATIC & OVERDRIVE.....BTB841....1	N.L.A G-CD1 101-4235 G-CNI 101-4265 OVERDRIVE G-CD1 4236 on G-CNI 4266 on STANDARD G-CD1 101 on G-CNI 101 on AUTOMATIC
	10/37 teeth	
	(3.7:1) ratio ....OVERDRIVE...BTB1244...1	N.L.A G-CD1 4236 on G-CNI 4266 on
26.	Bolt-crown wheel to cage.....BTB432....8	

146



J17 57 2 58 344

(147)

REAR AXLE.....			
27.	Washer-pinion thrust...		
27.	.222" (5.64mm).....	BTB844....	1
27.	.220" (5.59mm).....	BTB845....	1
27.	.218" (5.54mm).....	BTB846....	1
27.	.216" (5.49mm).....	BTB847....	1
27.	.214" (5.44mm).....	BTB848....	1
27.	.212" (5.39mm).....	BTB849....	1
27.	.210" (5.33mm).....	BTB850....	1
27.	.208" (5.29mm).....	BTB851....	1
28.	Bearing, pinion, inner.....	BTB852....	1
29.	Spacer, bearing.....	BTB853....	1
30.	Bearing, pinion, outer.....	BTB854....	1
31.	Seal, oil.....	88G490....	1
32.	Cover, dust.....	BTC350....	1
33.	Flange, universal joint.....	BTB855....	1
34.	Nut.....	BTB753....	1
35.	Washer, plain.....	BTB933....	1
36.	Shaft, axle.....disc wheel..	BTB700....	2
36.	Shaft axle.....wire wheel..	BTB714....	2
37.	Spacer, bearing.....	BTB681....	2
38.	Bearing.....	1D3792....	2
39.	Cap, hub bearing.....	BTB682....	2
40.	Seal, oil.....	AAA981....	2
41.	Collar, oil seal.....	AAA982....	2
42.	Flange, driving.....	BTB864....	2
43.	Stud, wheel.....disc wheel..	BTB229....	10
44.	Nut, wheel stud....disc wheel..	BTB354....	10
45.	Flange, driving RH...w/wheel...	BTB858....	1
46.	Flange, driving, LH...w/wheel...	BTB860....	1
47.	Stud.....w/wheel...	BTB187....	10
48.	Nut, drum to flange..w/wheel...	BTB728....	10
49.	Collar, drive shaft.....	BTA243....	2
50.	Nut, drive shaft.....	BTA249....	2

539706A

549420A

BTB1326

N.C.A.

BTB700B

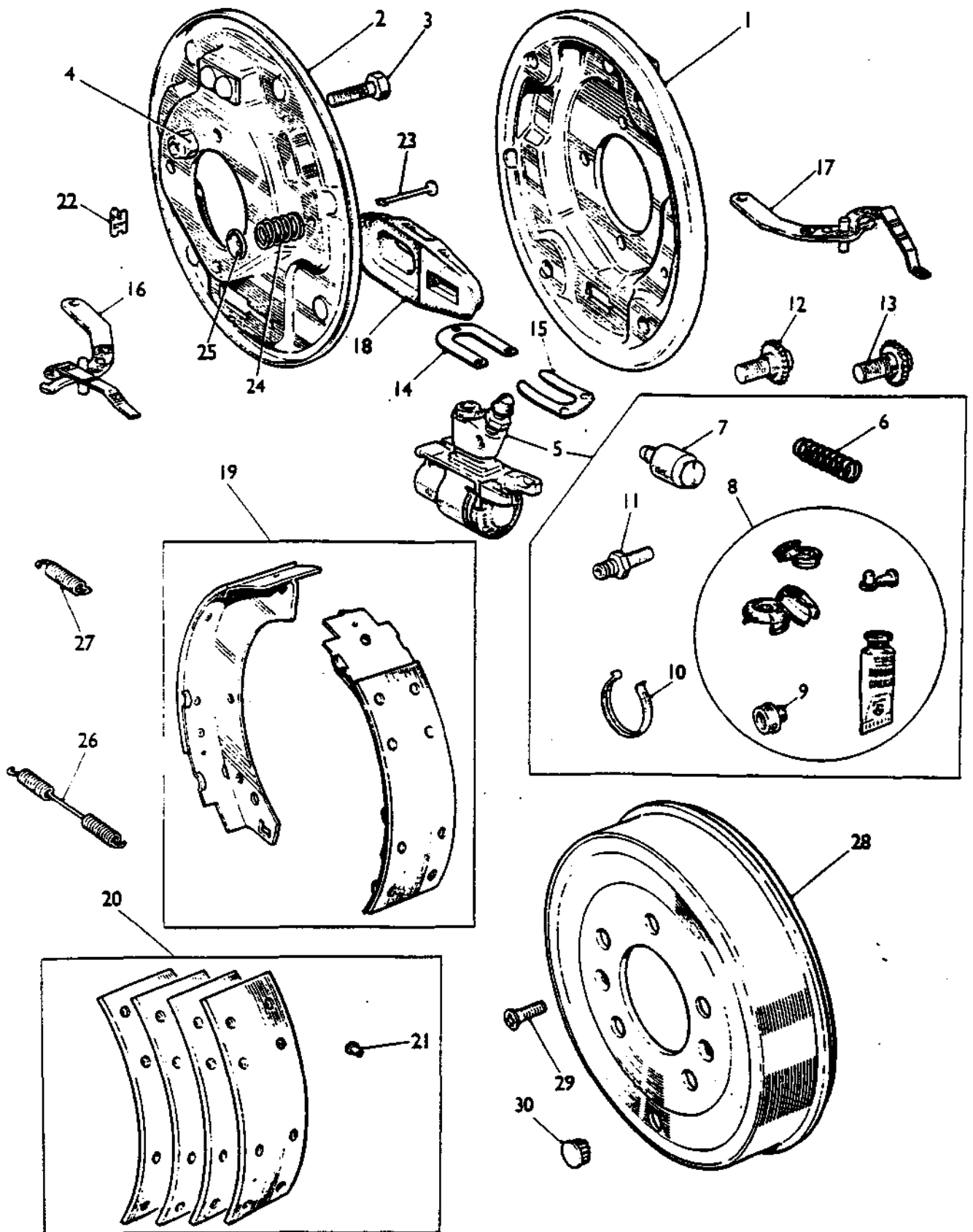
GHB158

GHS179

N.L.A.

FAM9270

148

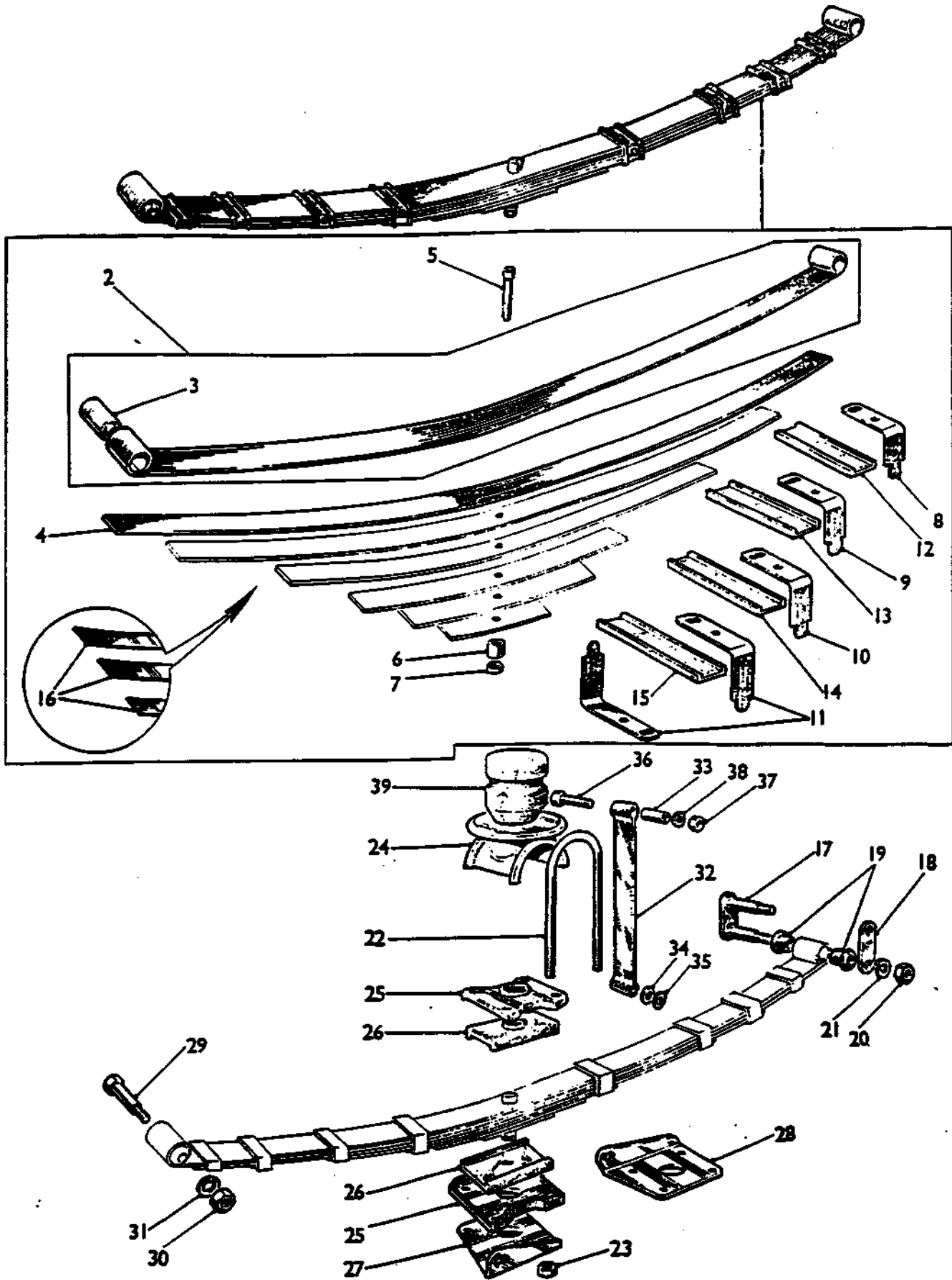


149

## REAR AXLE.....

1.	Plate,brake,RH.....	27H8037...1	N.L.A.
2.	Plate,brake,LH.....	27H8036...1	N.L.A.
3.	Bolt.....	HBZ0616...8	BH606161
4.	Nut.....	LNZ406...8	GHF243
5.	Cylinder assembly,wheel.....	27H8042...2	GWC1117
6.	Spring.....	27H8050...2	
7.	Piston.....	27H8048...2	N.L.A.
8.	Kit,repair,wheel cylinder.....	18G8182.1set	
	Seal.....	NSP.....1	
	Excluder,dirt.....	NSP.....1	
	Grease,tube.....	NSP.....1	
9.	Cap,dust.....	7H4419...2	234957A
10.	Clip,retaining.....	17H4395...2	N.L.A.
11.	Screw,bleed.....	7H4973...2	556508A
12.	Quadrant,adjusting,RH.....	27H8046...1	519798 < Exclusively reproduced
13.	Quadrant,adjusting,LH.....	27H8045...1	519797 <
14.	Plate,retaining,cylinder.....	17H7385...2	120138 Axle kit available which includes #18 excluders
15.	Plate,spring retainer.....	17H4386...2	37H6132
16.	Lever,operating,RH.....	27H8043...1	Exclusively available
17.	Lever,operating,LH.....	27H8044...1	Exclusively available
18.	Excluder,dirt.....	27H8047...2	
19.	Shoe assembly,brake.....	18G8180.2sets	GBS741 Axle set 4 shoes \$20
20.	Lining assembly.....	18G8181...1box	NCA
21.	Rivet.....	27H8038...32	N.L.A.
22.	Plate,support,brake shoe.....	27H9242...2	Stainless steel exclusive
23.	Pin,shoe steady.....	27H8041...4	< Exclusively available as kit or sets by PN.
24.	Spring.....	17H4375...4	<
25.	Washer,cup.....	17H4374...4	<
26.	Spring,shoe return, cylinder end.....	27H8039...2	< KIT PN BSK4
27.	Spring,shoe return, abutment end.....	27H8040...2	<
28.	Drum,brake.....	BTB862...2	
29.	Screw.....	CMZ410...4	SF604051
30.	Plug.....	AHH5514...2	
	Nut,wheel stud,CP.....	AHH9152...8	
	Kit-brake shoe steady set.....	GRSP1025..1	Items #23, 24, 25 Kit without springs #26 & 27

150





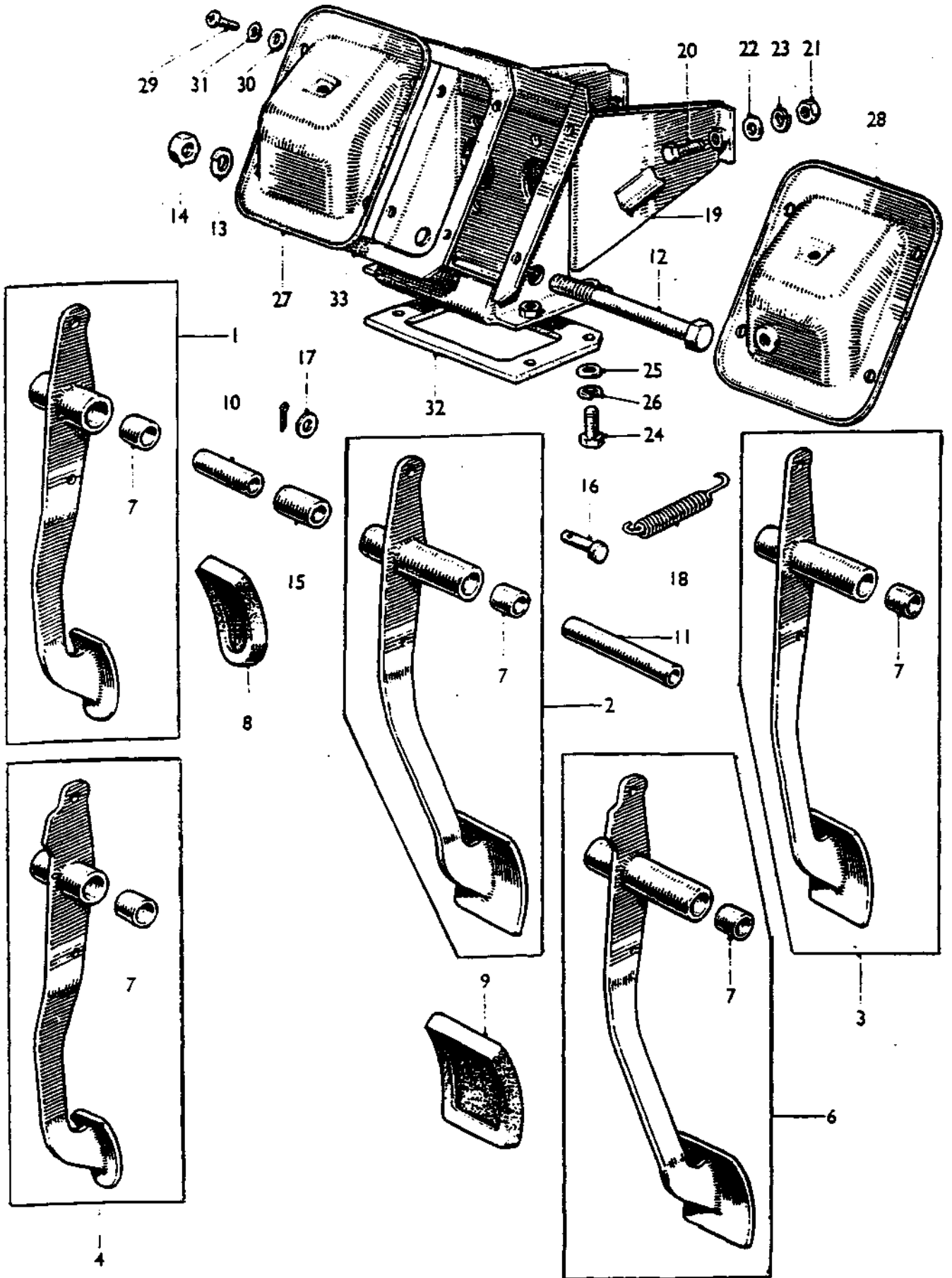
(151)

## REAR SPRINGS

1.	Spring assembly...ROADSTER....AHC536....2	N.L.A	G-CN1-101 to 547
1.	Spring assembly...ROADSTER....AHC797....2	AHC797B	G-CN1-548 on
1.	Spring assembly.....GT.....AHC584....2	N.L.A	G-CD1-101 to 785
1.	Spring assembly.....GT.....AHC791....2	AHC791B	G-CD1-786 on
2.	Leaf assembly-main..ROADSTER..AHC537....2	N.L.A	
2.	Leaf assembly-main.....GT.....AHC586....2	N.L.A	
3.	Bush-front.....AHH6446....2		
4.	Leaf assembly-2nd...ROADSTER..AHC539....2	N.L.A	G-CN1-101 to 547
4.	Leaf assembly-2nd...ROADSTER..AHC792....2	N.L.A	G-CN1-548 on
4.	Leaf assembly-2nd.....GT.....AHC588....2	N.L.A	G-CD1-101 to 785
4.	Leaf assembly-2nd.....GT.....AHC783....2	N.L.A	G-CD1-786 on
5.	Bolt-locating.....AHH7079....2	N.L.A	
6.	Piece-distance.....ACA5000....2		
7.	Nut.....FNZ105....2	GHF201	
8.	Clip-2nd.....AHH7086....8	N.L.A	
9.	Clip-3rd.....AHH7085....8		
10.	Clip-4th.....AHH7343....8	N.L.A	
11.	Clip-5th.....AHC545....8	N.L.A	
12.	Pad-leaf clip-2nd.....AHH7089...4	AHB6707	N.L.A
13.	Pad-leaf clip-3rd.....AHH7088...4	AHB6707	N.L.A
14.	Pad-leaf-clip-4th.....AHH7087...4	AHB6707	N.L.A
15.	Pad-leaf-clip-5th.....AHC544...4	N.L.A	
	Pad-leaf-clip-long.....AHB6707...4	N.L.A	
16.	Strip-interleaf.....AHH7078M.A/R		
17.	Shackle plate-with pins.....AHH5018...2		
18.	Shackle plate.....AHH5019...2		
19.	Bush-shackle plate.....2A5176...8		
20.	Nut.....FNZ106...4	GHF202	
21.	Washer-spring.....LWZ206...4	GHF333	
22.	U-bolt.....AHC109...4		
23.	Nut.....FNZ106...8	GHF202	
24.	Pedestal-bump rubber.....AHH7335...2		
25.	Plate-spring locating.....AHH7334...2		
26.	Pad-spring seating.....ACG5002...4		
27.	Bracket-shock absorber to spring RH.....AHH7337...1		
28.	Bracket-shock absorber to spring LH.....AHH7338...1		
29.	Pin-shackle-front end.....HBZ724...2	BH607241	
30.	Nut.....FNZ107...2	GHF203	
31.	Washer-spring.....LWZ207...2	WL600071	
32.	Strap-rebound.....AHH6355...2		
33.	Tube-distance-strap.....AHH6162...2		
34.	Washer-plain.....PWZ206...2		
35.	Washer-spring.....LWZ206...2	GHF333	
36.	Bolt.....HBZ515...2	BH605151	
37.	Nut.....FNZ105...2	GHF201	
38.	Washer-spring.....LWZ205...2	GHF332	
39.	Bump rubber.....AHH7074...2	AHH9158	



152

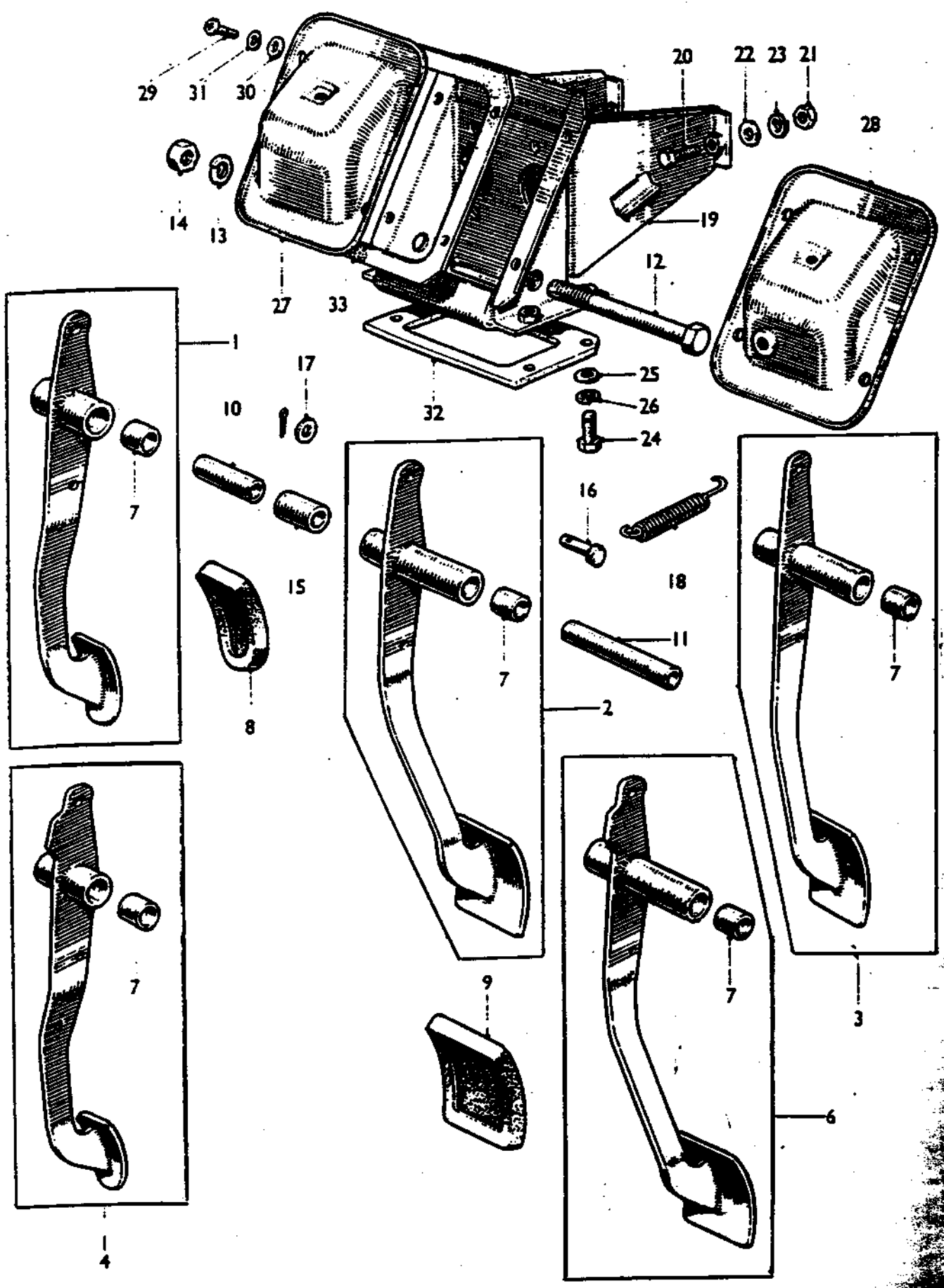


153

## BRAKE CONTROLS

1.	Pedal assy-brake...RHD & LHD..AHC116....1	N.L.A.	G-CD1 101-1493 G-CNI 101-3313 Canada. 101 on not N.America.
2.	Pedal assy-brake...RHD AUTO...AHC124....1	N.L.A.	
3.	Pedal assy-brake...LHD AUTO...AHC125....1	N.L.A.	
4.	Pedal assy-brake...N.America...AHC654....1	N.L.A.	G-CD1 101 on USA Canada 1494 on. G-CNI 101 on USA Canada 3314 on.
6.	Pedal assy-brake..AUTO.....AHC655....1	N.L.A.	
7.	Bush.....1G9310....1	N.L.A.	
8.	Pad-pedal (rubber).....AHH5100...1		
9.	Pad-pedal (rubber)..AUTO.....AHC8592...1		
10.	Tube-distance-pedal.....AHC377....1	N.L.A.	
11.	Tube-distance-pedal..AUTO.....AHC384....1	N.L.A.	
12.	Bolt.....HBZ842....1	N.L.A.	
13.	Washer-spring.....LWZ208....1	GHF335	
14.	Nut.....FNZ108....1	GHF204	
15.	Piece-distance-pedal fulcrum..11B5279...1	N.L.A.	
16.	Pin-clevis.....CLZ514....1		
17.	Washer-plain.....PWZ105....1	GHF301	
18.	Spring-pull off.....AAA1628...1		
19.	Box-master cylinder.....AHC379....1	N.L.A.	G-CD1,G-CNI 101-1138 not Benelux and France. G-CD1 1139-1493 Canada. 1139 on not N.America. G-CNI 1139-3313 Canada. 1139 on not N.America.
	Box-master cylinder.....AHC621....1	N.L.A.	
	Box-master cylinder.N.AMERICA.AHC693....1	N.L.A.	G-CD1 101 on U.S.A. 1494 on Canada. G-CNI 101 on U.S.A. 3314 on Canada.
20.	Screw.....HZZ405....1	SH604051	
20.	Screw.....HZZ407....1	SH604071	
21.	Nut.....FNZ104....1	GHF200	
22.	Washer-plain.....PWZ104....2	GHF300	
23.	Washer-spring.....LWZ204....2	GHF331	
24.	Screw.....HZZ405....1	SH604051	
25.	Washer-plain.....PWZ204....1		
26.	Washer-spring.....LWZ204....1	GHF331	

154

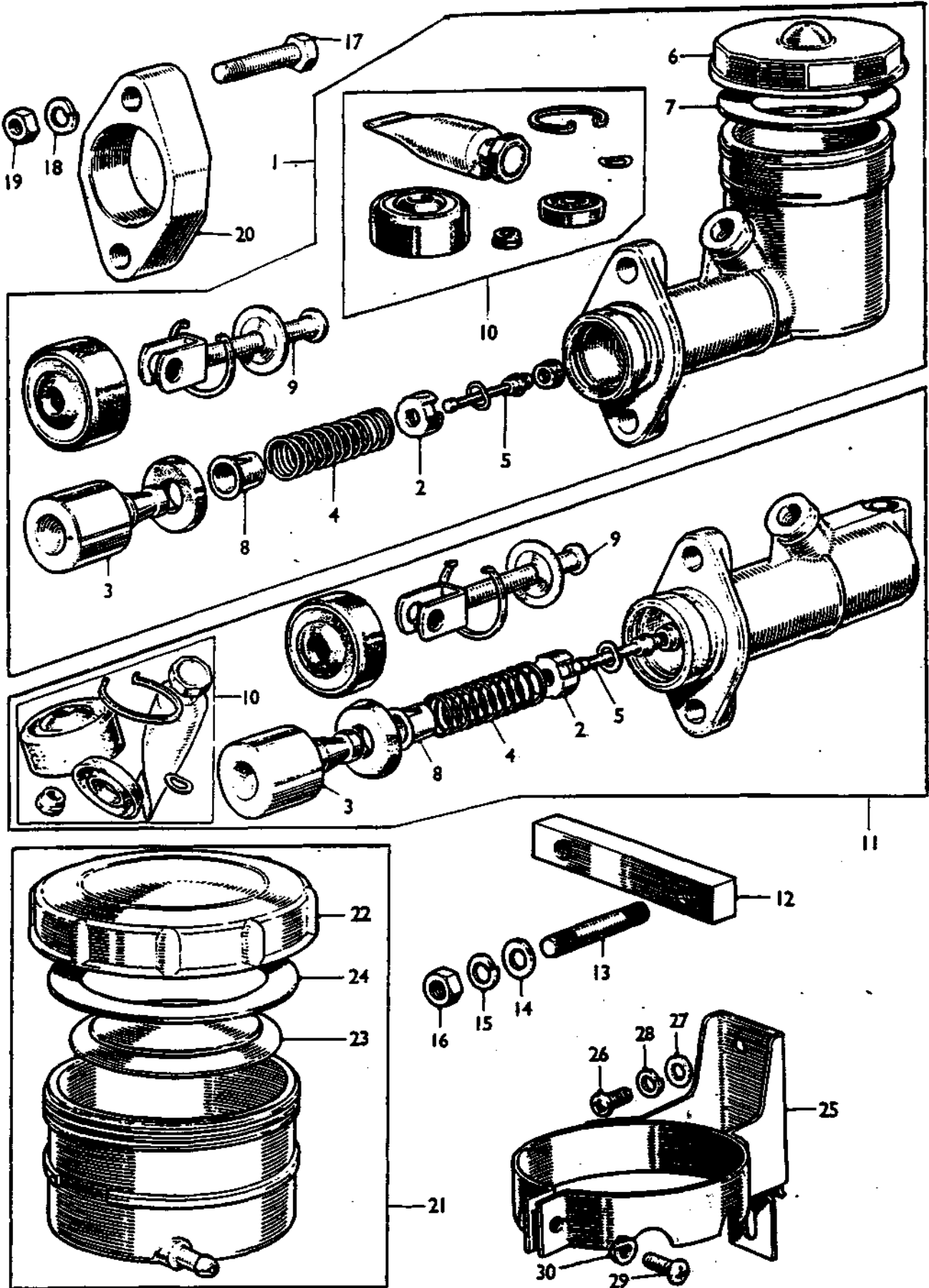


155

**BRAKE CONTROL**  
Continued

27.	Cover-master cylinder box.....AHC121.....1	N.L.A	] G-CD1 101-1493 G-CN1 101-3313 Canada. 101 on-not N.America.
28.	Cover-master cylinder box N.AMERICA.....AHC658.....1	N.L.A	
29.	Screw.....PMZ310.....4		] G-CD1 101 on U.S.A. 1494 on Canada. G-CN1 101 on U.S.A. 3314 on Canada.
30.	Washer-plain.....PWZ103.....4	GHF306	
31.	Washer-spring.....LWZ203.....4	WL700101	
32.	Seal-master cylinder box.....AHC383.....1	N.L.A	
33.	Seal-box cover.....AHC122.....1	N.L.A	

156



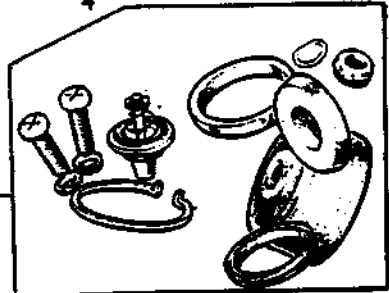
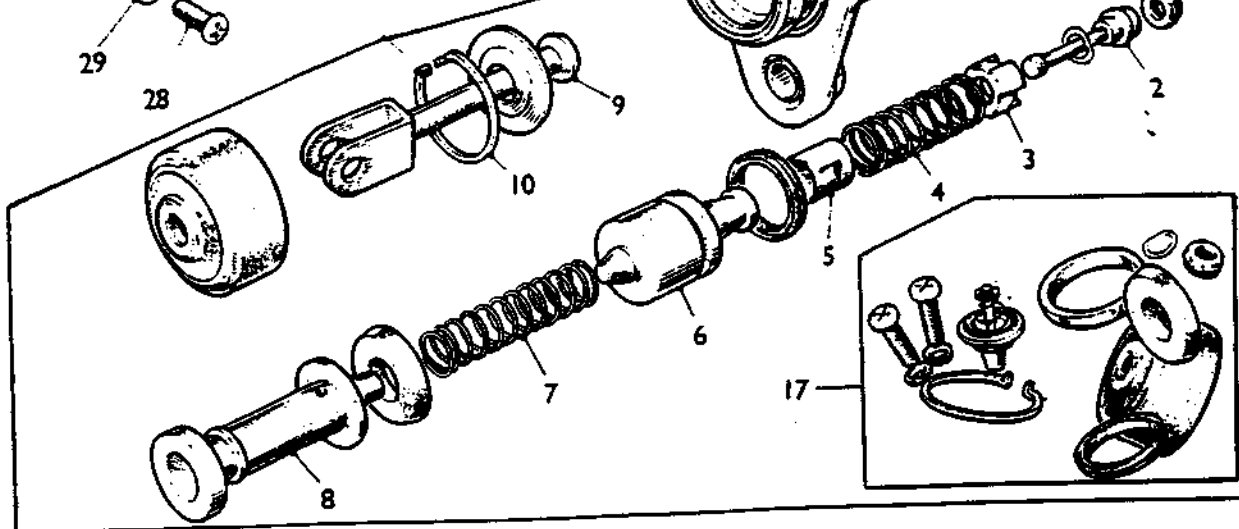
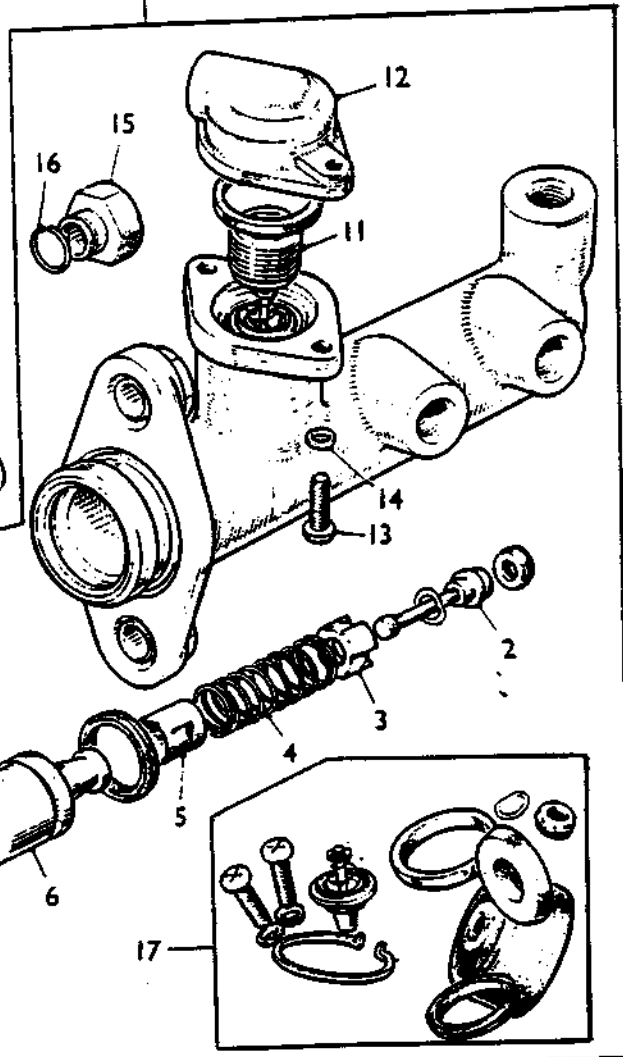
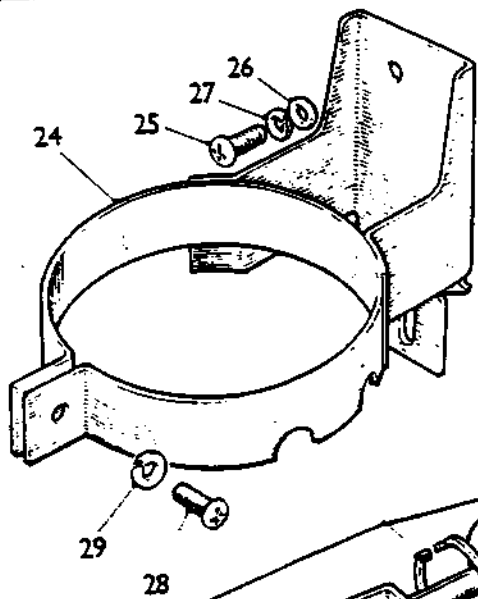
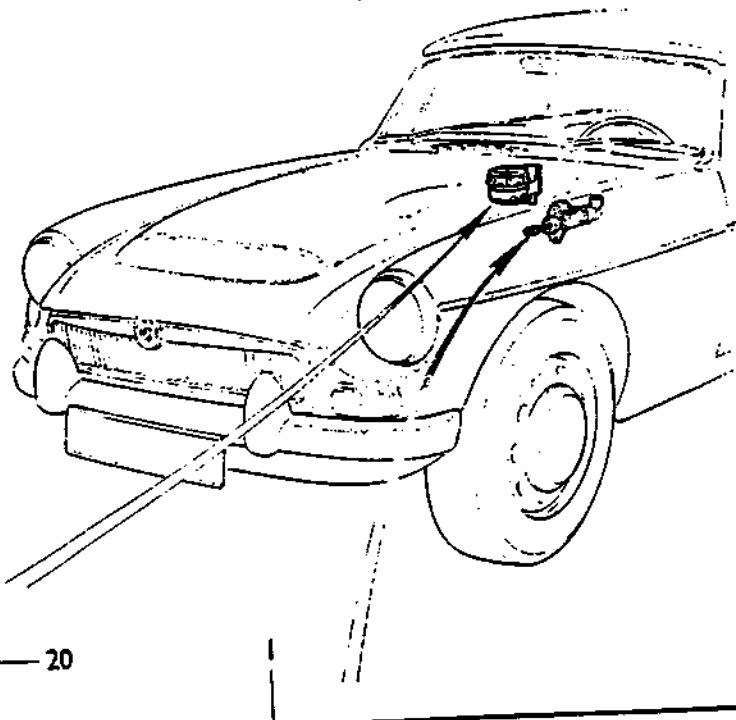
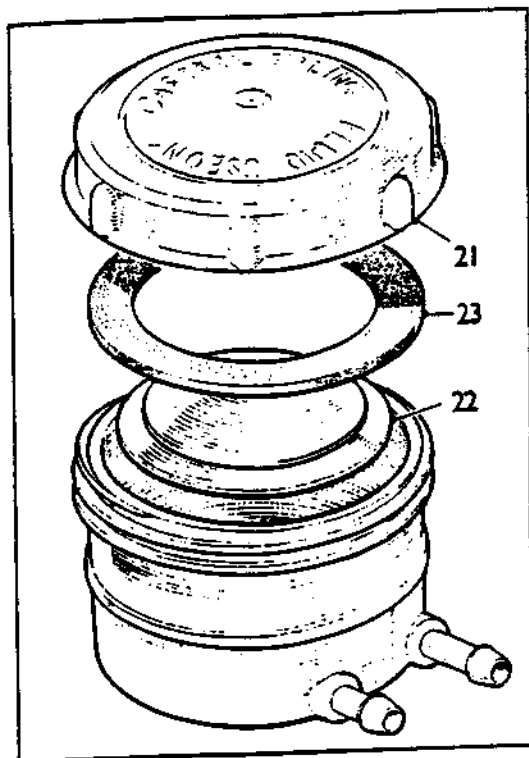
157

## BRAKE MASTER CYLINDER

1.	Cylinder assy-brake master....	BHA4521...1	BHM7075
2.	Retainer-spring.....	17H4827...1	N.L.A
3.	Plunger.....	27H8142...1	N.L.A
4.	Spring.....	17H4898...1	510815A
5.	Stem-valve.....	7H4751...1	N.L.A
6.	Cap-filler.....	17H8677...1	510844
7.	Gasket.....	17H8678...1	606404A
8.	Spacer-valve.....	17H4132...1	N.L.A
9.	Push rod.....	27H8141...1	N.L.A
10.	Kit-master cylinder repair....	18G8186...1	
11.	Cylinder assy-brake master		
	<b>BENELUX and FRANCE.....</b>	<b>BHA4648...1</b>	
12.	Block-reinforcing.....	AHC123...1	N.L.A
13.	Stud.....	<b>NOT AUTOMATIC.....</b>	
		FHS2520...2	
14.	Washer-plain.....	PWZ105...1	
15.	Washer-spring.....	LWZ205...1	GHF332
16.	Nut.....	FNZ105...1	GHF301
17.	Screw.....	HZS516...1	SH605161
18.	Washer-spring.....	LWZ205...1	GHF332
19.	Nut.....	FNZ105...1	GHF301
20.	Spacer-master cylinder to box.	AHC382...1	N.L.A
21.	Tank-brake fluid (plastic)...	BHA4669...1	N.L.A
22.	Cap-filler.....	.37H1794...1	N.L.A
23.	Baffle-fluid.....	.37H1795...1	N.L.A
24.	Gasket-filler cap... <b>BENELUX.</b>	.37H1796...1	N.L.A
25.	Bracket-fluid tank.. <b>AND.....</b>	.AHC664...1	N.L.A
26.	Screw..... <b>FRANCE..</b>	.FMZ308...2	
27.	Washer-plain.....	.PWZ103...2	GHF306
28.	Washer-spring.....	.LWZ203...2	WL700101
29.	Screw.....	.FMZ310...1	
30.	Washer-spring.....	.2K2551...1	N.L.A

G-CD1 101-1493  
 G-CN1 101-3313  
 Canada.  
 101 on  
 not N.America.



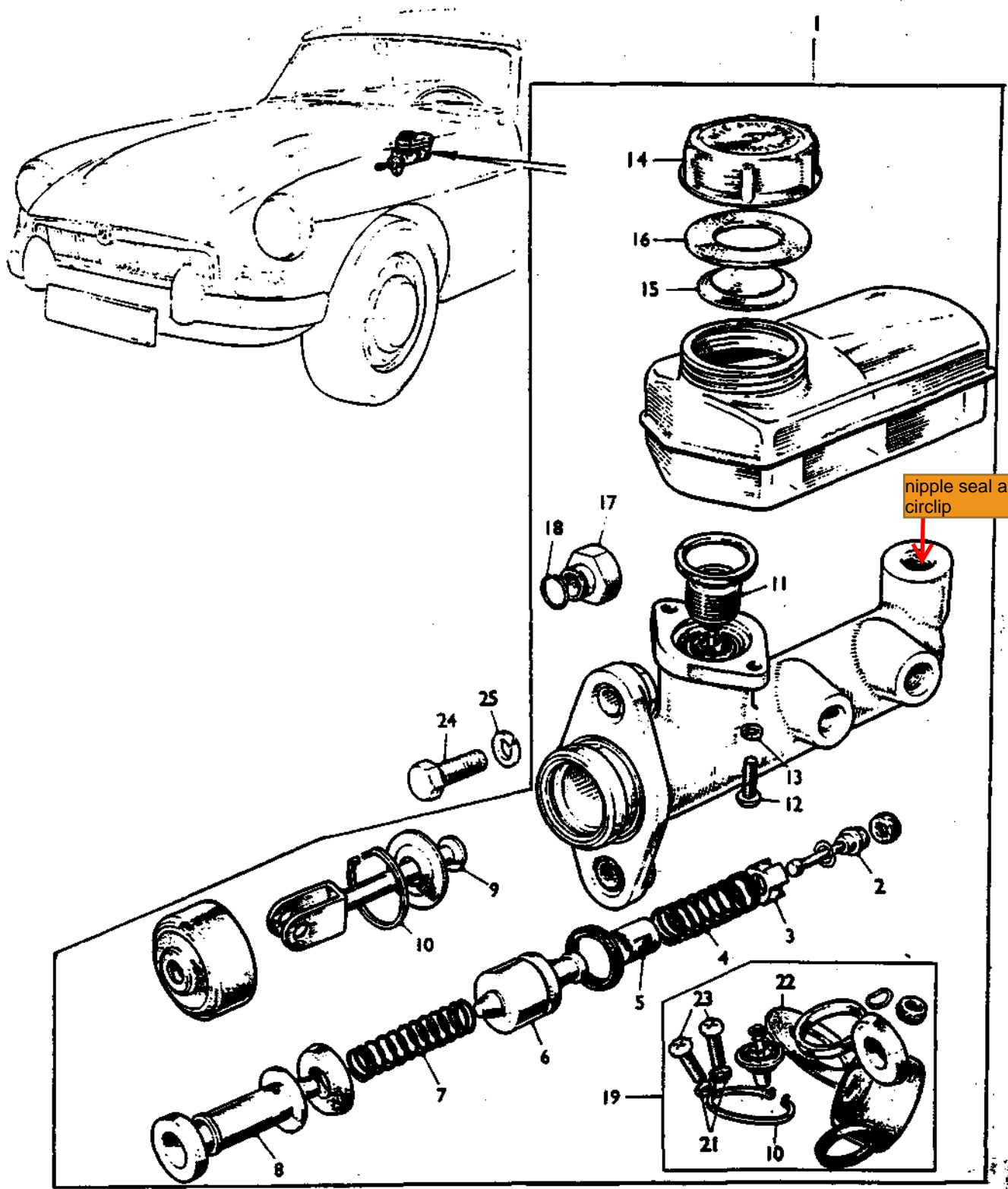


159

**BRAKE MASTER CYLINDER  
(U.S.A)**

1.	Cylinder assy-brake master....	BHA4699...1		G-CD1, GCNI
2.	Stem-valve.....	37H2937...1	N.L.A	101-1557
3.	Spacer-valve.....	37H2938...1	N.L.A	1559-1560
4.	Spring-return-secondary plunger.....	37H2939...1	N.L.A	1562-1624
5.	Retainer-spring.....	37H2940...1	N.L.A	1626-2286
6.	Plunger-secondary.....	37H2941...1	N.L.A	2288-2630
7.	Spring-return-primary plunger.	37H2942...1	N.L.A	2632-2645
8.	Plunger-primary.....	37H2943...1	N.L.A	2647-2650
9.	Push rod.....	37H2944...1	N.L.A	2654-2666
10.	Circlip-retaining push rod....	37H2945...1	N.L.A	2670-2683
11.	Retainer-tipping valve.....	37H2946...1	N.L.A	2685-2689
12.	Cover and adaptor-inlet.....	37H3052...1	N.L.A	2691-2700
13.	Screw-cover to body.....	37H2947...2	N.L.A	2706-2770
14.	Washer-Ospring.....	37H2948...2	N.L.A	2772-2892
15.	Nut-retaining.....	37H2951...2	N.L.A	2899-2912
16.	Circlip-retaining.....	37H2952...2	N.L.A	2915-2923
17.	Kit-repair.....	18G8399...1		2928-2931
18.	Screw.....	HZS608...2	GHF105	2933-2989
19.	Washer-spring.....	LWZ206...2	GHF333	3006-3007
20.	Tank assy-fluid (plastic)....	BHA4681...1		3009-3017
21.	Cap-filler.....	37H1794...1	N.L.A	
22.	Baffle-fluid.....	37H1795...1	N.L.A	
23.	Gasket-filler cap.....	37H1796...1	N.L.A	
24.	Bracket-tank.....	AHC644...1	N.L.A	
25.	Screw.....	PMZ308...2		
26.	Washer-plain.....	PWZ103...2	GHF306	
27.	Washer-spring.....	LWZ203...2	WL700101	
28.	Screw.....	PMZ310...1		
29.	Washer-spring.....	2K2551...1	N.L.A	





161

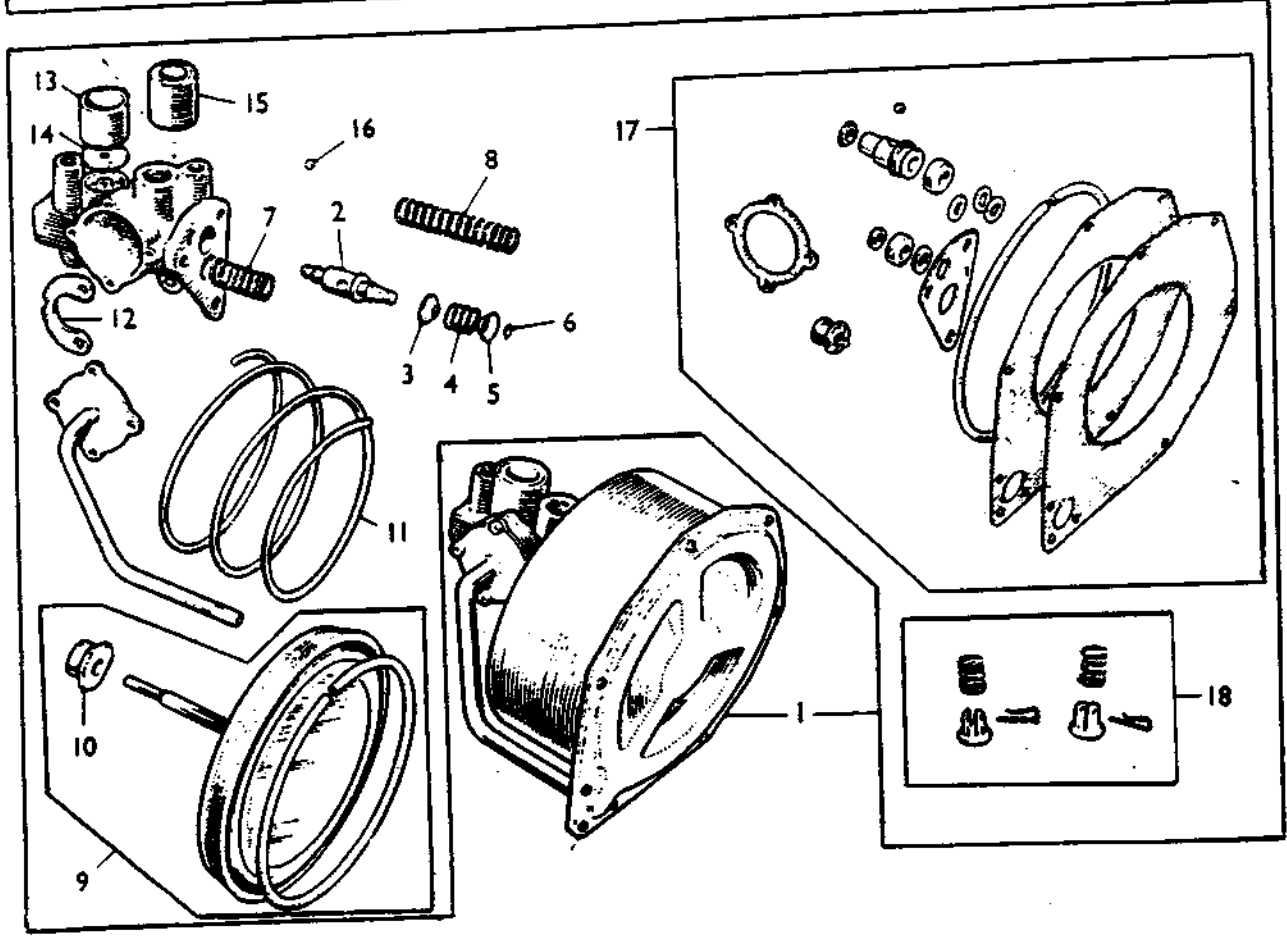
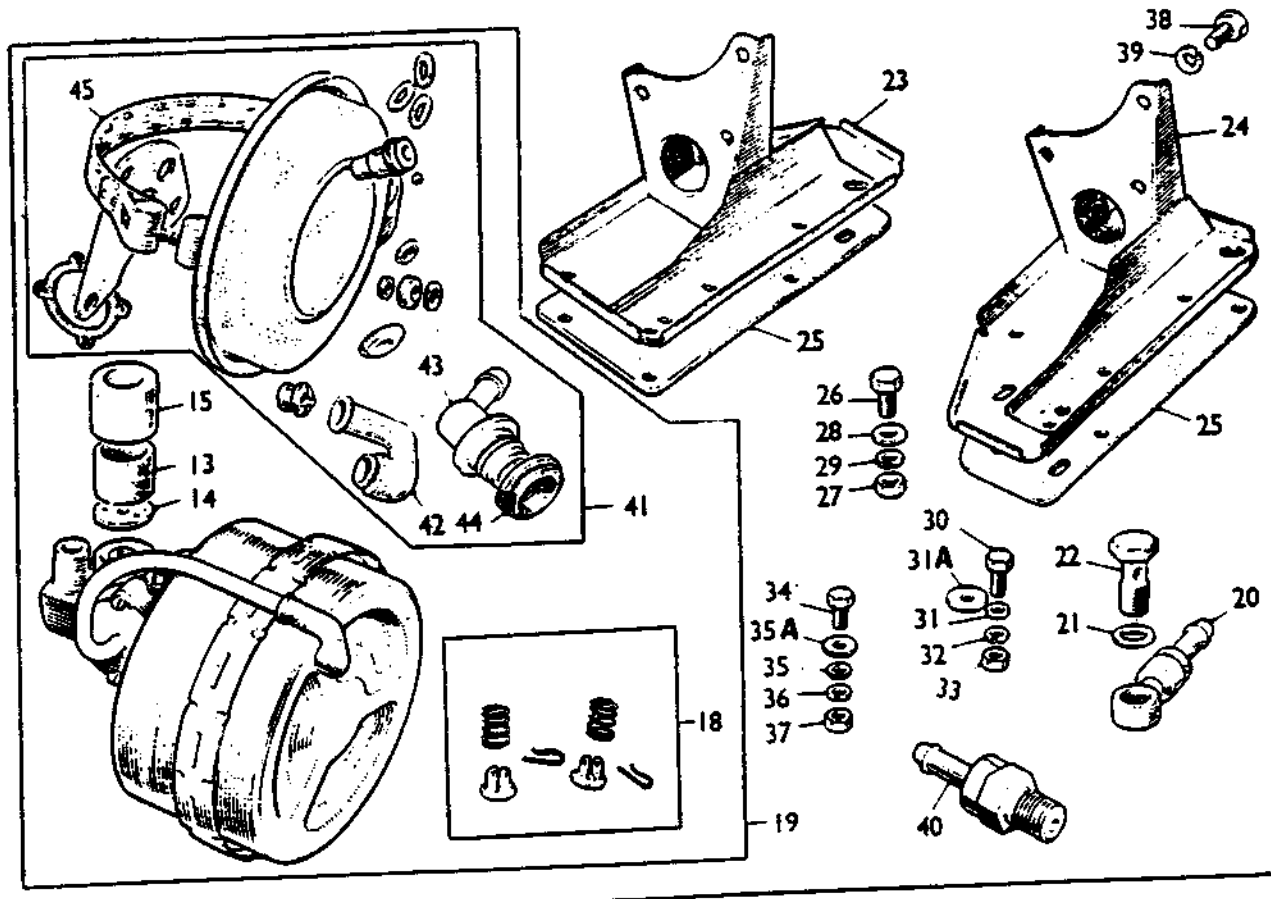
**BRAKE MASTER CYLINDER  
(NORTH AMERICA)**

1.	Cylinder assy-brake master....	BHA4701...1	N.L.A	} G-CD1, G-CN1 1558, 1561, 1625, 2287, 2631, 2646, 2651-2653, 2667-2669, 2684, 2690, 2701-2705, 2771, 2893-2898, 2913-2914, 2924-2927, 2932, 2990-3005, 3008, 3018 on U.S.A.  G-CD1 1494 on Canada.  G-CN1 3314 on Canada.
2.	Stem-valve.....	37H2937...1	N.L.A	
3.	Spacer-valve stem.....	37H2938...1	N.L.A	
4.	Spring-return-secondary plunger.....	37H2939...1	N.L.A	
5.	Retainer-spring.....	37H2940...1	N.L.A	
6.	Plunger-secondary.....	37H2941...1	N.L.A	
7.	Spring-return-primary plunger.....	37H2942...1	N.L.A	
8.	Plunger-primary.....	37H2943...1	N.L.A	
9.	Push rod.....	37H2944...1	N.L.A	
10.	Circlip-push rod.....	37H2945...1	N.L.A	
11.	Retainer-tipping valve.....	37H2946...1	N.L.A	
12.	Screw-reservoir to body.....	37H2947...2	N.L.A	
13.	Washer-spring.....	37H2948...2	N.L.A	
14.	Cap-filler.....	37H2949...1	N.L.A	
15.	Baffle-fluid-filler cap.....	37H2950...1	N.L.A	
16.	Gasket-filler cap.....	7H4726...1	N.L.A	
17.	Nut-retaining.....	37H2951...2	N.L.A	
18.	Circlip-retaining nut to flange.....	37H2952...2	N.L.A	
19.	Kit-repair.....	18G8399...1	includes the nipple seal	
21.	Washer-spring.....	37H2948...2	N.L.A	
22.	Gasket-filler cap.....	7H4736...1	N.L.A	
23.	Screw-reservoir to body.....	37H2947...2	N.L.A	
24.	Screw.....	HZS608...2	GHF105	
25.	Washer-spring.....	LWZ206...2	GHF333	

Missing from the seal kit are two parts key in attachment of the brake master reservoir NA spec and stopping leaks at the nipple of the reservoir. The nipple seal and circlip are exclusively available from KA. Step bore stainless steel resleeving and professional rebuilding of the brake master are services offered at KA

*BHA 4701  
is available*

162



163

GAL 8431X

SERVO UNIT

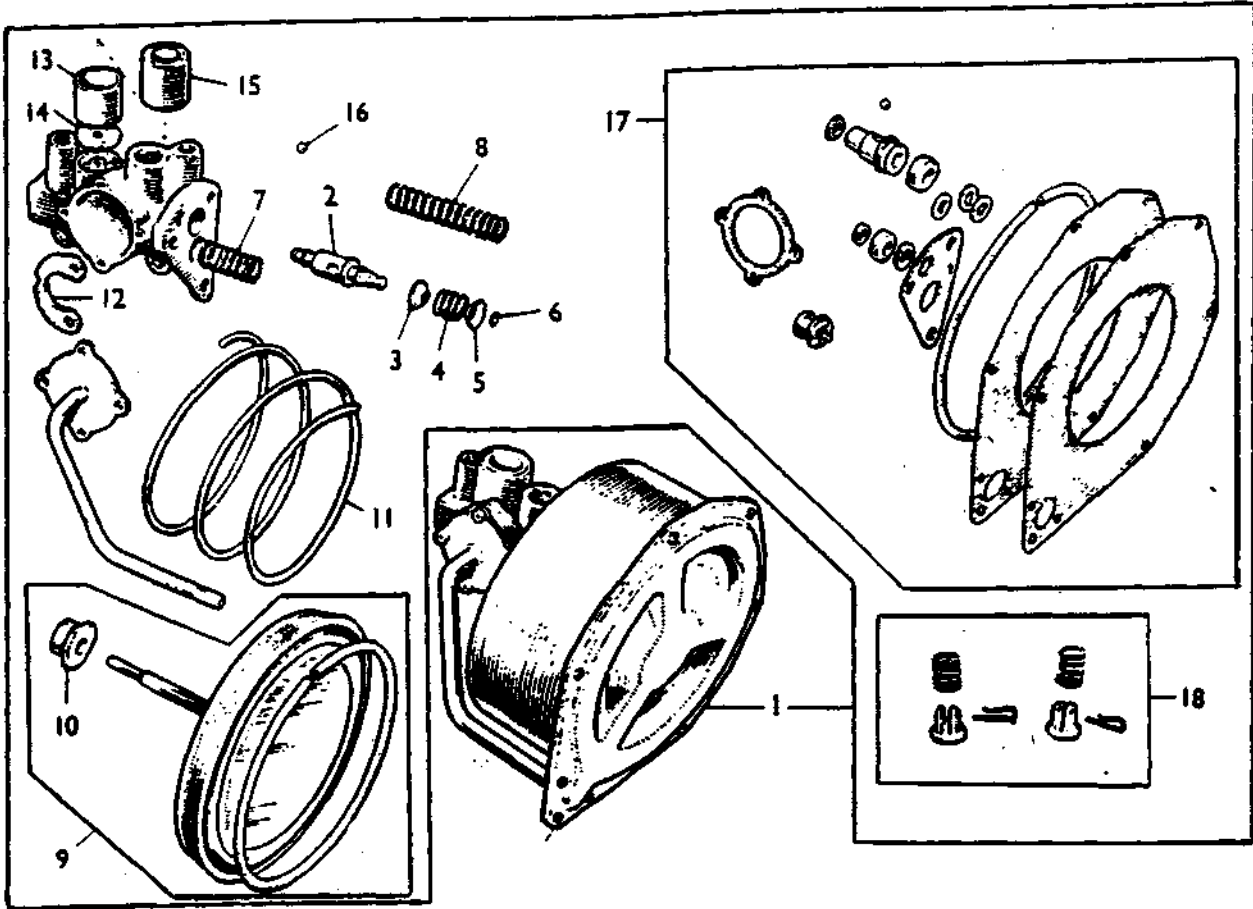
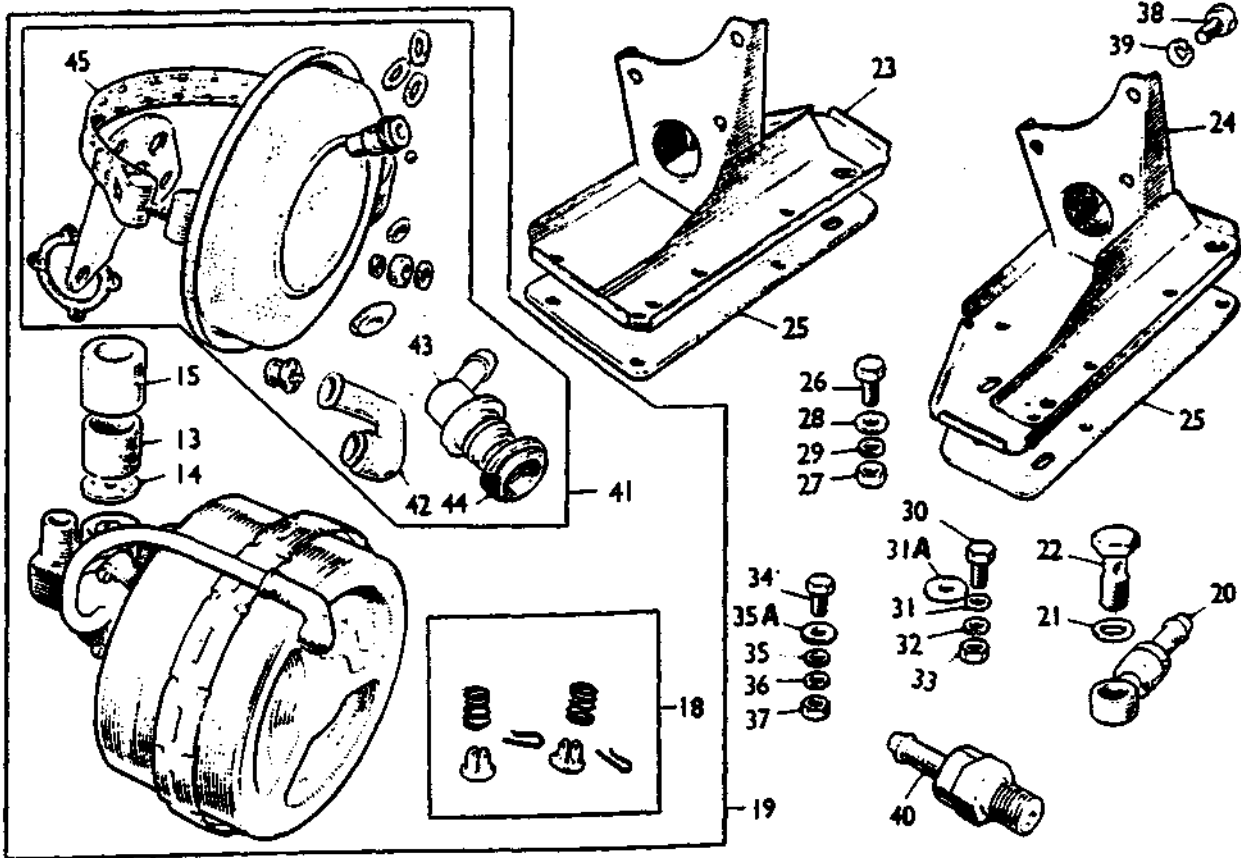
LKLE10117

SERVO UNIT

1.	Servo assembly-vacuum.....	13H3360...1	N.L.A	G-CD1, GCN1 101-1153 not U.S.A
	Reconditioned unit-EXCHANGE...	13H3360E..1		
2.	Piston-valve operating.....	7H6966...1	N.L.A	
3.	Abutment-piston spring.....	7H6961...1	N.L.A	
4.	Spring-piston return.....	7H6967...1	N.L.A	
5.	Retainer-spring.....	7H6962...1	N.L.A	
6.	Circlip-retainer.....	7H6959...1	N.L.A	
7.	Spring-piston return.....	27H7562...1	N.L.A	
8.	Spring-piston.....	27H6875...1	N.L.A	
9.	Piston and rod assembly.....	27H8198...1	N.L.A	
10.	Bush-piston rod guide.....	272418...1	N.L.A	
11.	Spring-cylinder piston return...	17H4929...1	N.L.A	
12.	Spring-control valve return...	17H4931...1	N.L.A	
13.	Element-air filter.....	27H2419...1	600561	
14.	Seal-air filter to body.....	27H2420...1	37H4691	
15.	Cover-air filter.....	27H5941...1		
16.	Ball.....	BLS105...1		
17.	Kit-servo unit repair.....	18G8126...1		
18.	Kit-air valve repair.....	18G8341...1	37H8775	
19.	Servo assembly-vacuum.....	BHA4700...1/2	N.L.A	G-CD1, G-CN1 1154 on. U.S.A 101 on
	Reconditioned unit-EXCHANGE...	BHA4700E..1/2		
	Replacement A.P servo.....	BHA4700X..1/2		
20.	Valve-non return.....	BHA4640...1	N.L.A	G-CD1, GCN1 101-1153 not U.S.A.
21.	Gasket-valve.....	11K8309...1	267604A	
22.	Bolt-valve.....	BHA4605...1	534156A	
23.	Bracket-servo support..RHD...	AHC462...1	N.L.A	
24.	Bracket-servo support..LHD...	AHC431...1	N.L.A	
25.	Seal-bracket.....	AHC268...1	N.L.A	
26.	Screw-bracket to dash inner...	HZS506...2	SH605061	
27.	Nut-screw.....	FNZ105...2	GHF201	
28.	Washer-plain.....RHD...	PWZ205...2		AHC 462
	Washer-plain.....LHD...	PWZ205...1		
29.	Washer-spring.....	LWZ205...2	GHF332	Now AVAIL
30.	Screw-bracket to dash centre...	HZS406...2	GHF117	
31.	Washer-plain.....RHD...	PWZ104...2	GHF300	
	Washer-plain.....LHD...	PWZ104...1	GHF300	
31A.	Washer-plain.....LHD...	PWZ404...1	N.L.A	AHC 268
32.	Washer-spring.....	LWZ204...2	GHF331	
33.	Nut.....	FNZ104...2	GHF200	Now
34.	Screw-bracket to dash outer...	HZS406...2	GHF117	
35.	Washer-plain.....	PWZ104...2	GHF300	AVAIL.
35A.	Washer-plain.....LHD...	PWZ204...1		
36.	Washer-spring.....	LWZ204...2	GHF331	
37.	Nut.....	FNZ104...2	GHF200	
38.	Screw-servo to bracket.....	HZS606...3/6	SH606061	
39.	Washer-spring.....	LWZ206...3/6	GHF333	

QUANTITY INCREASED FOR NORTH AMERICA

164



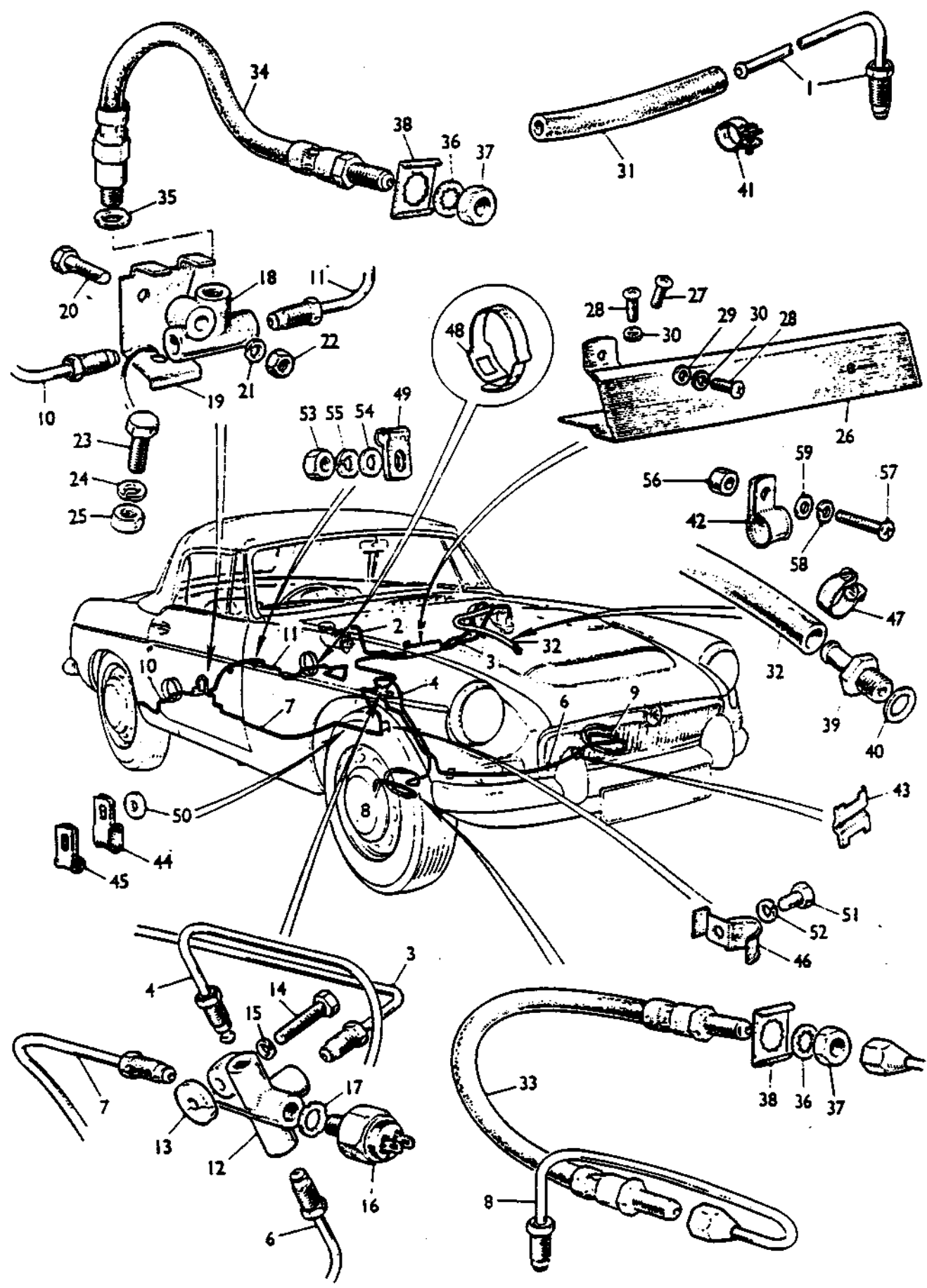
(165)

**SERVO UNIT  
(Continued)**

40.	Valve-non return.....	13H1569...1	BAU1018	G-CD1.G-QN1 1154 on. U.S.A 101 on.
41.	Kit-O.E servo repair.....	18G8604...1/2	18G8724	
	Kit-A.P servo repair.....	BHA4700SK.1/2		
42.	Sleeve-cylinder to air pipe...	37H4115...1/2	N.L.A	
43.	Adaptor.....	37H3063...1/2		
44.	Grommet-adaptor.....	37H2842...1/2		
45.	Band-crimping.....	37H4116...1/2	N.L.A	

**QUANTITY INCREASED FOR NORTH AMERICA**





167

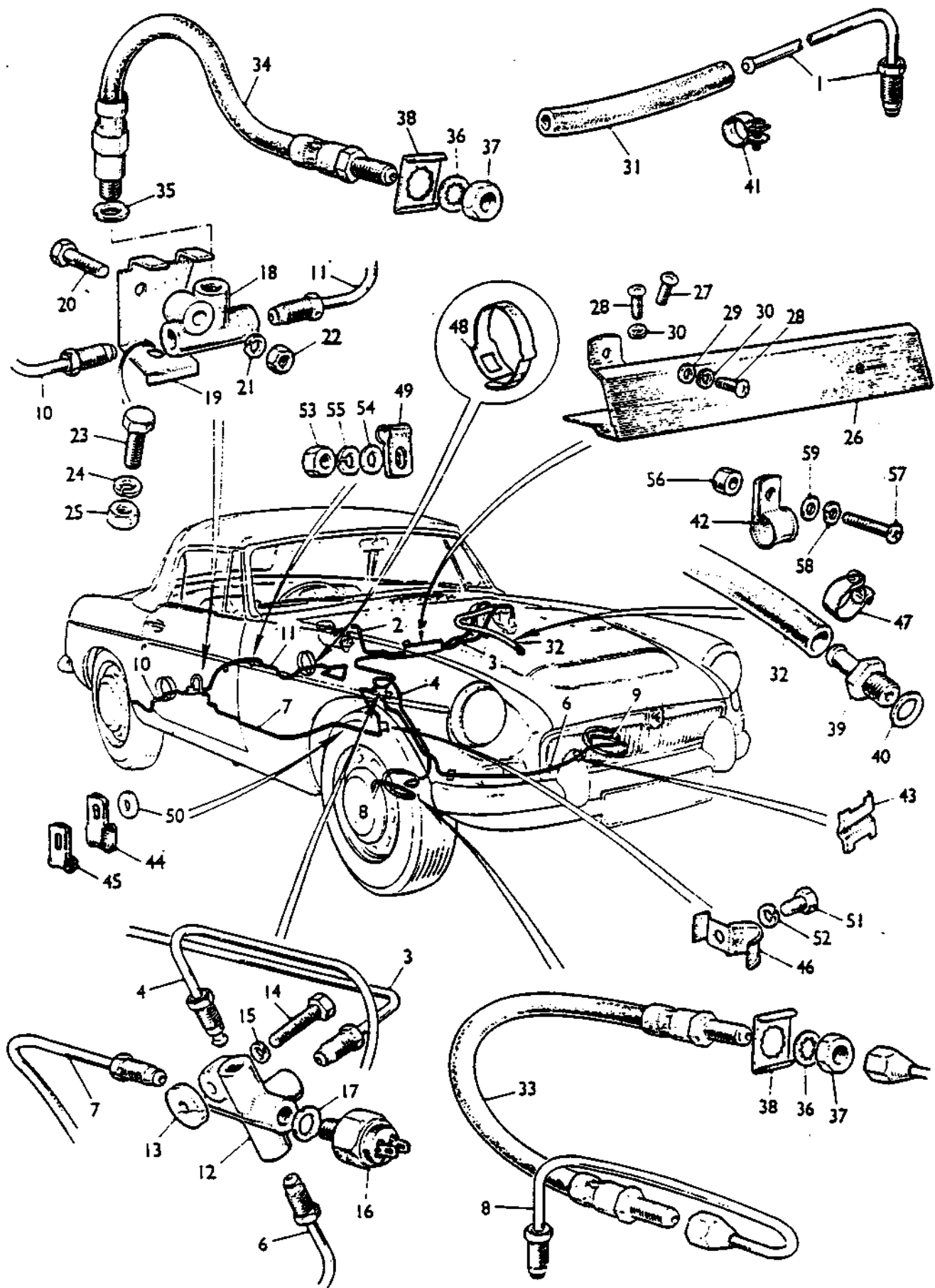
**BRAKE PIPES AND FITTINGS**

**BRAKE PIPE**

1.	Tank to master cylinder 7"(17.78cm) <b>BENELUX &amp; FRANCE</b> ..AHC717....1	GR74966014	
2.	Master cylinder to servo 44.5"(114.30cm).....RHD.....AHC566....1	ALL BRAKE LINES ARE AVAILABLE FOR ANY MARKET CAR EITHER IN KIT FORM OR INDIVIDUAL LENGTHS  KA 2012	
2.	Master cylinder to servo 43"(109.22cm).....LHD.....EMK547....1		
3.	Servo to 5-way connection 41.5"(106.68cm).....RHD.....AHC562....1		
3.	Servo to 5-way connection 16"(40.64cm).....LHD.....AHC563....1		
4.	5-way to RH front hose 31"(78.74cm).....41K5246...1		
6.	5-way to LH front hose 49"(134.46cm).....11H219....1		
7.	5-way to rear hose 98"(248.92cm).....AHC355....1		
8.	RH front hose to caliper 10"(25.40cm).....AHC358....1		
9.	LH front hose to caliper 10"(25.40cm).....AHC356....1		
10.	3-way to RH rear cylinder 16"(40.64cm).....AHC344....1		
11.	3-way to LH rear cylinder 46"(116.84cm).....BHA4643...1		
12.	Connection 5-way.....13H1568...1	137075	G-CD1 101-? G-CNI 101-1868
12.	Connection 5-way.....BHA4822...1	17H7108	G-CD1 ?-1493 Canada. G-CD1 ? on not N.America. G-CNI 1869-3313 Canada. G-CNI 1869 on not N.America.
13.	Sacer.....AHH6247...1	N.L.A	G-CD1 101-1493
14.	Screw.....HZS411...1	SH604111	Canada.
15.	Washer-spring.....LWZ204...1	GHF331	101 on not N.America. G-CNI 101-3313 Canada. 101 on not N.America.

;-UNKNOWN CHANGE POINT



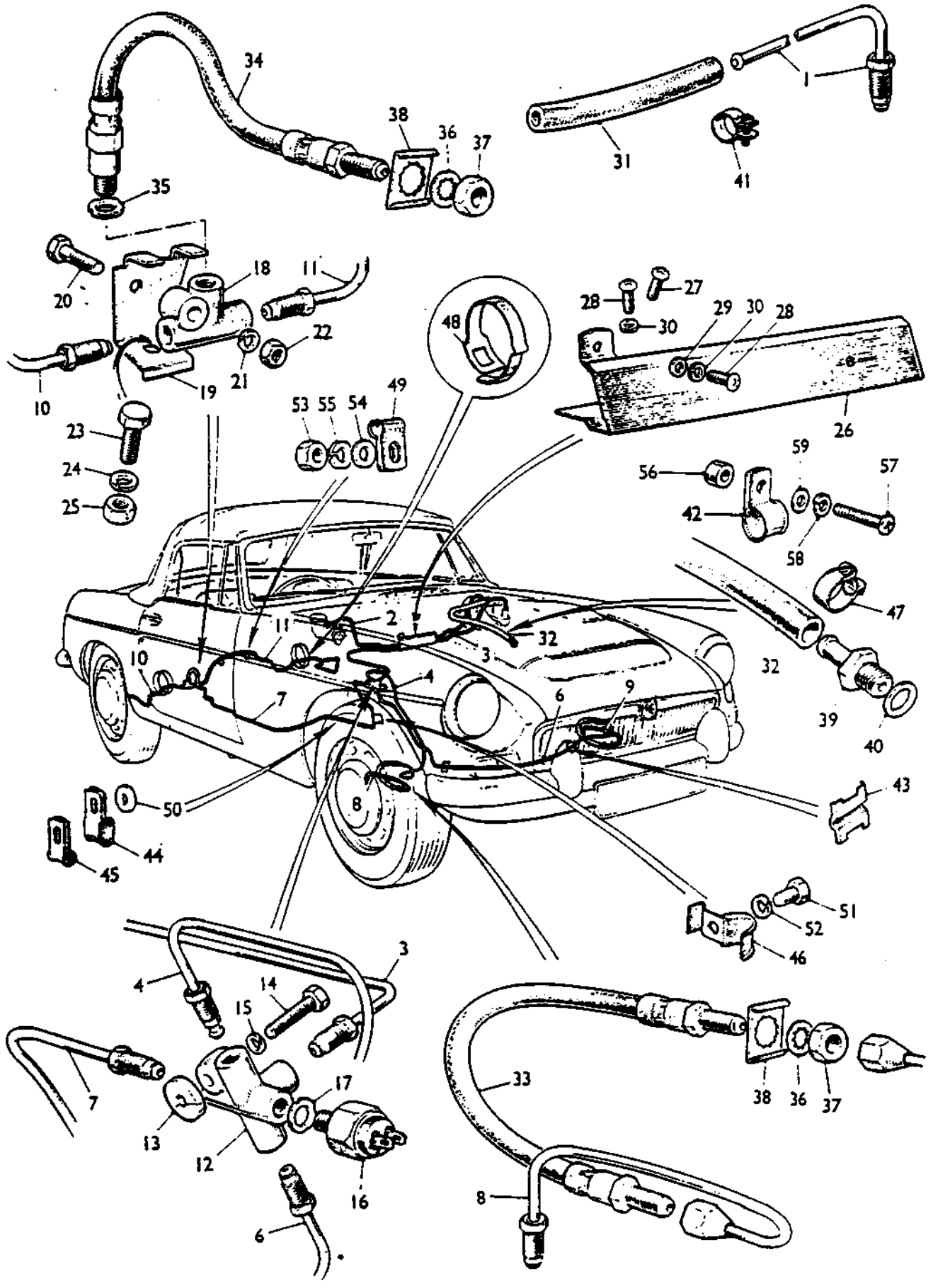


169

**BRAKE PIPES AND FITTINGS  
(Continued)**

16.	Switch-brake light.....	21B291....1			
17.	Gasket-switch to 5-way.....	3H2287....1	233220A		G-CD1 101-?
16.	Switch-brake light.....	13H1731....1	C16062A		G-CN1 101-1868 G-CD1 ?-1493 Canada. G-CD1 ? on not N.America. G-CN1 1869-3313 Canada. G-CN1 1869 on not N.America.
18.	Connection 3-way.....	BTB657....1			
19.	Bracket.....	AHC140....1	N.L.A		
20.	Bolt.....	HBZ409....1	BH604091		
21.	Washer-spring.....	LWZ204....1	GHF331		G-CD1 101-1493
22.	Nut.....	FNZ104....1	GHF200		Canada.
23.	Screw.....	HZS507....1	SH605071		101 on
24.	Washer-spring.....	LWZ205....1	GHF332		not N.America.
25.	Nut.....	FNZ105....1	GHF201		G-CN1 101-3313
26.	Shield-heat-brake pipe.....	AHC265....1	N.L.A		Canada
27.	Screw..NOT USED WHEN HEATER IS FITTED.....	PMZ308....3			101 on not N.America.
28.	Screw..USED WHEN HEATER IS.....	PMZ310....3			
29.	Washer-plain.....FITTED.....	PWZ103....1	GHF306		
30.	Washer-spring.....	LWZ203....3	WL700101		
31.	Hose-fluid tank..BENELUX AND FRANCE.....	41K5554....1	N.L.A		
32.	Hose-servo to manifold.....	AHC851....1	N.L.A		G-CD1 101-1493 Canada. 101 on not N.America. G-CN1 101-3313 Canada. 101 on not N.America.
33.	Hose-front brake.....	13H2358...2	GBH166		G-CD1 101-1493
34.	Hose-rear brake.....	BHA4603...1	GBH175		Canada. 101-4151 not N.America G-CN1 101-3313 Canada. 101-4151 not N.America.
33.	Hose-front brake.....	BHA4888...2	GBH166		G-CD1,G-CN1
34.	Hose-rear brake.....	BHA4887...1	GBH175		4152 on not N.America.

170







173

## BRAKE CONTROLS PIPES AND FITTINGS (N.AMERICA)

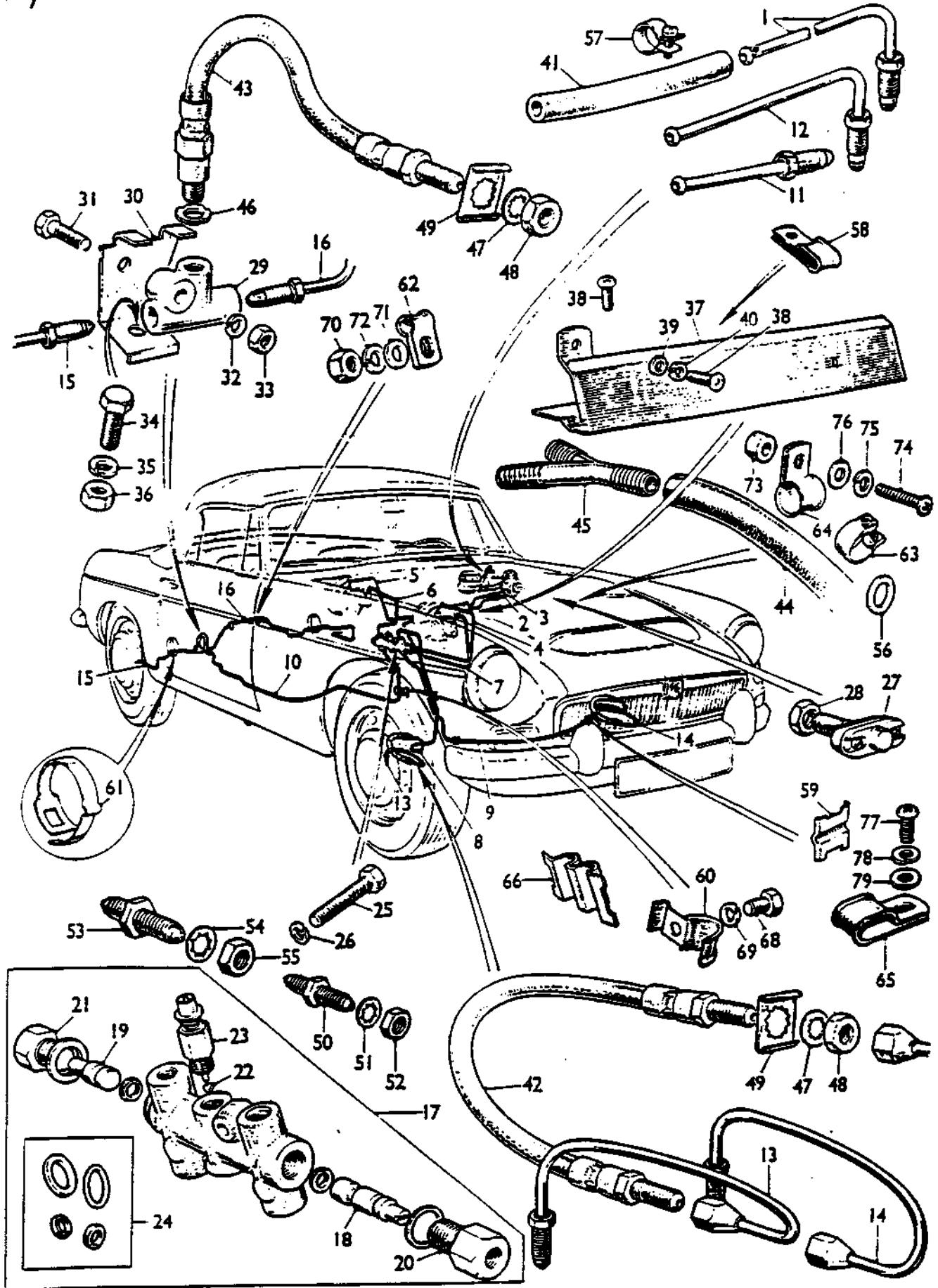
### BRAKE PIPE

1.	Tank hose to master cylinder 7" (17.78cm).....AHC717....1		
2.	Front outlet connection union 5.25" (13.3cm).....AHC694....1		
3.	Rear outlet connection union 5.25" (13.3cm).....AHC700....1		
4.	Front connection union to front servo-37.5" (94.1cm).....AHC707....1		
5.	Connection union to rear servo 37.5" (94.1cm).....AHC698....1		G-CD1 101 on U.S.A.
6.	Rear servo to pressure failure switch inlet-14" (35.6cm).....AHC699....1		1494 on Canada.
7.	Front servo to pressure failure switch inlt-22" (55.88cm).....AHC709....1		G-CN1 101 on U.S.A.
8.	Pressure failure switch to RH front brake hose-31" (78.74cm) .....AHC705....1		3314 on Canada.
9.	Pressure failure switch to LH front brake hose-49" (134.46cm) .....AHC703....1		
10.	Pressure failure switch to rear brake hose-96 1/2" (243.96cm) .....AHC696....1		
11.	Master cyl front inlet to tank outlet hose-3" (16.5cm).....AHC712....1		
12.	Master cyl rear inlet to tank outlet hose-6 1/2" (16.5cm) .....AHC728....1		USED WITH BHA4699
13.	RH front hose to caliper-10" (25.4cm).....AHC358....1		G-CD1-101 on U.S.A.
14.	LH front hose to caliper-10" (25.4cm).....AHC356....1		1494 on Canada.
15.	3-way to RH rear cyl-16" (40.64cm).....AHC344....1		G-AN1-101 on U.S.A.
16.	3-way to LH rear cyl-46" (116.84cm).....BHA4643...1		3314 on Canada.
17.	Switch-assy-pressure failure..BHA4829...1		G-CD1,G-CN1 101-5962.
23.	Switch.....37H4228...1	AAU1700A	G-CD1,G-CN1 101 on
18.	Piston-long.....37H2601...1	N.L.A	
19.	Piston-short.....37H2602...1	N.L.A	
20.	Adaptor-pipe.....37H2603...1	N.L.A	
21.	Plug.....37H2604...1	N.L.A	
22.	Ball switch operating.....BLS105...1	N.L.A	
24.	Kit-repair-switch.....18G8354...1		G-CD1,G-CN1 101-5962.

Correct brake  
lines/pipes are  
available each or in  
kits for all MGC  
specifications.



174

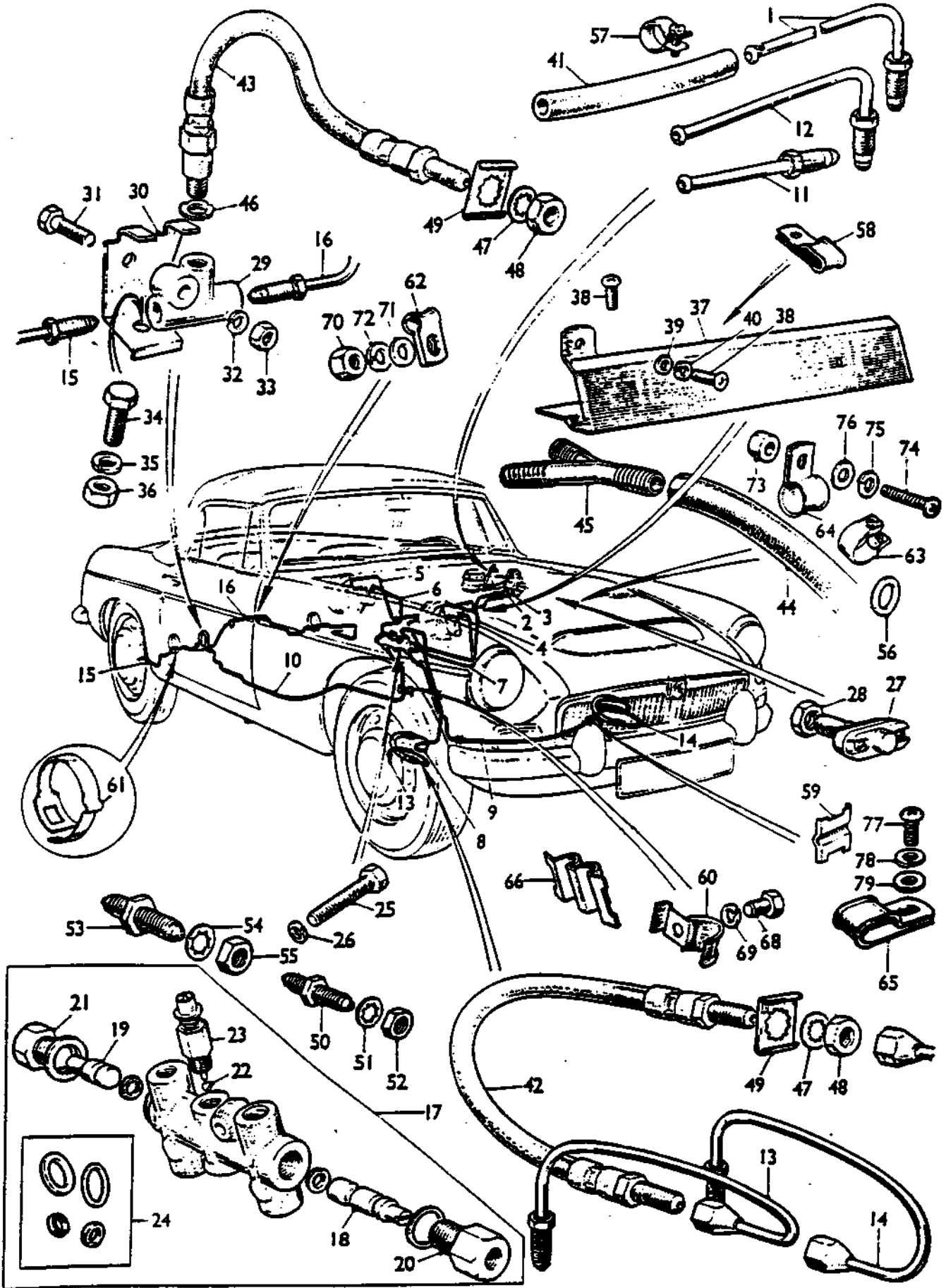


175

**BRAKE PIPES AND FITTINGS  
(NORTH AMERICA)Continued**

17.	Switch-assy-pressure failure..	BHA4934...1	N.L.A	G-CD1,G-CN1 5963 on.
20.	Adaptor.....	37H4606...1	N.L.A	
21.	Plug.....	37H4607...1	N.L.A	
23.	Switch.....	37H4228...1	AAU1700A	
24.	Kit-repair switch.....	18G8695...1	N.L.A	
25.	Screw.....	HZS0411...1	SH604111	
26.	Washer-spring.....	LWZ204...1	GHF331	
27.	Switch-stop light.....	BHA4675...1		
28.	Nut-lock.....	FNZ206...1	NT606041	
29.	Connection-3 way.....	BTB657...1		
30.	Bracket-3 way connection.....	AHC140...1	N.L.A	G-CD1-101 on U.S.A. 1494 on Canada. G-CN1-101 on U.S.A. 3314 on Canada.
31.	Bolt.....	HBZ409...1	BH604091	
32.	Washer-spring.....	LWZ204...1	GHF331	
33.	Nut.....	FNZ104...1	GHF200	
34.	Screw.....	HZS0507...1	SH605071	
35.	Washer-spring.....	LWZ205...1	GHF332	
36.	Nut.....	FNZ105...1	GHF201	
37.	Shield-heat-brake pipe.....	AHC265...1	N.L.A	
38.	Screw...NO HEATER FITTED.....	PMZ308...2		
38.	Screw.....USED WHEN.....	PMZ310...3		
39.	Washer-plain...HEATER IS.....	PWZ103...1	GHF306	
40.	Washer-spring.....FITTED.....	LWZ203...3	WL700101	
41.	Hose-fluid tank.....	41K5554...2	N.L.A	USED WITH BHA4699
42.	Hose-front brake.....	18G8438...2	GBH166	G-CD1 101-4151 U.S.A. 1494-4151 Canada. G-CN1 101-4151 U.S.A. 3314-4151 Canada.
43.	Hose-rear brake.....	18G8434...1	GBH133	
42.	Hose-front brake.....	BHA4888...2	GBH166	
43.	Hose-rear brake.....	BHA4887...1	GBH135	
44.	Hose-servo.....	AHC851...3	N.L.A	
45.	Y'Piece(plastic).....	BHA4733...1	BHA4733KA black half inch legs stocked	
46.	Gasket-rear brake hose.....	3H2287...1	233220A	
47.	Washer-lock-brake hose.....	LWZ406...5	GHF323	
48.	Nut-lock.....	FNZ206...5	NT606041	
49.	Plate-locking-brake hose.....	2F5281...5	N.L.A.	
50.	Union-connecting-small.....	BHA4750...1		
51.	Washer-lock.....	LWZ406...1	GHF323	G-CD1 101 on U.S.A. 1494 on Canada. G-CN1 101 on U.S.A. 3314 on Canada.
52.	Nut-lock.....	FNZ206...1	NT606041	
53.	Union-connecting-large.....	BHA4751...1		
54.	Washer-lock.....	LWZ407...1	N.L.A	
55.	Nut-lock.....	FNZ207...1	NT607041	
56.	Gasket-servo union.....	11K8309...1	267604A	



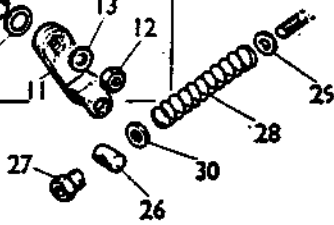
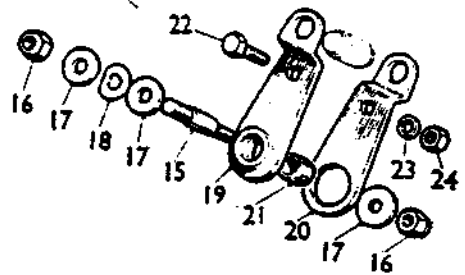
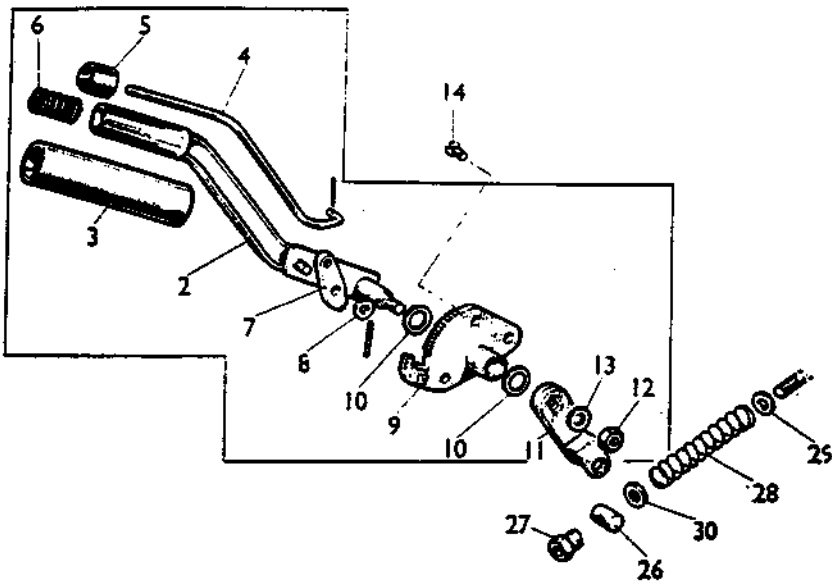
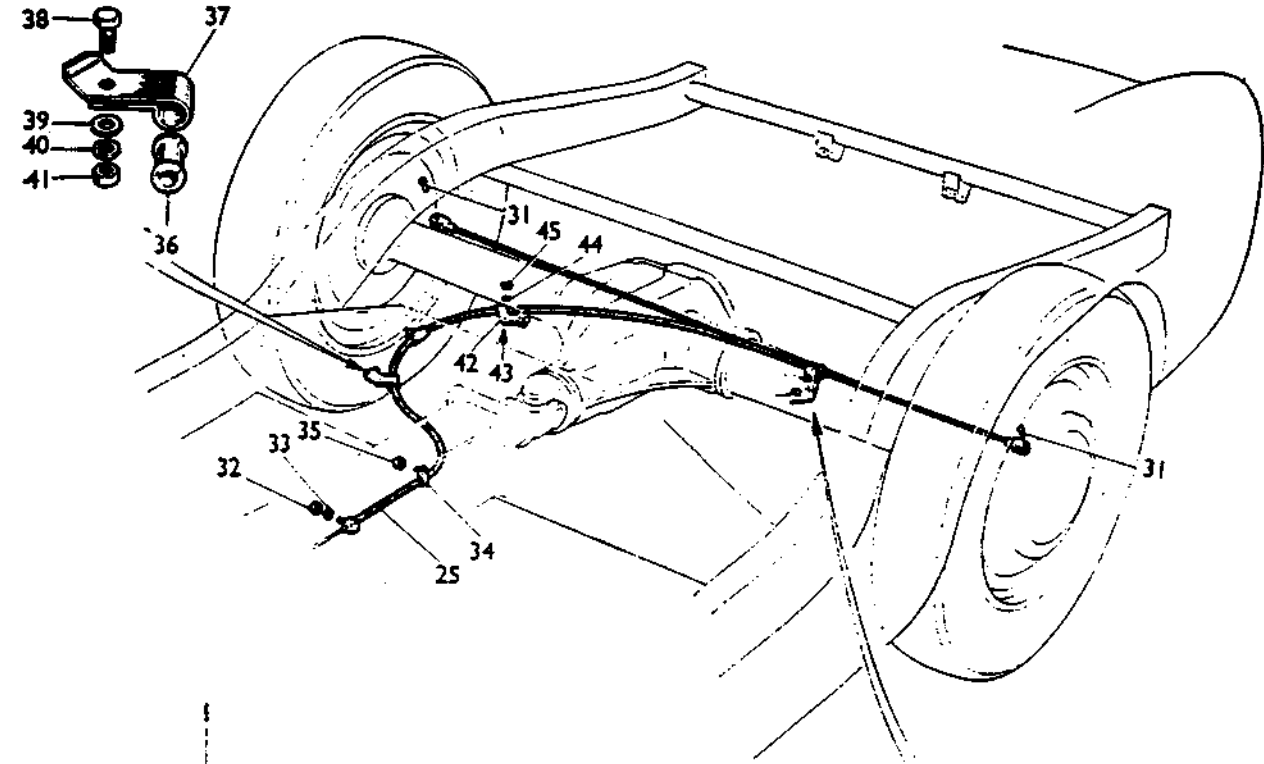


157

**BRAKE PIPES AND FITTINGS  
(NORTH AMERICA)Continued**

57.	Clip-fluid tank hose.....88G308....6 <b>USED WITH BHA4699</b>		
	Clip-fluid tank hose.....88G308....2 <b>USED WITH BHA4701 N.L.A</b>		
58.	Clip-pipe to dash.. <b>NOT AUTO</b> ...AHC718....2	N.L.A	
	Clip-pipe to dash.. <b>AUTOMATIC</b> ...PCR309....2		
59.	Clip-pipe to LH front sidemember.....AHC171....2		G-CD1 101 on U.S.A. 1494 on Canada.
	Clip-pipe to front side-member <b>AUTOMATIC</b> .....PCR0307...2		
60.	Clip-pipe to clutch hose bracket.....AHC310....3	N.L.A	G-CN1 101 on U.S.A. 3314 on Canada.
61.	Clip-pipe to rear axle.....ACH8650...2		
62.	Clip-LH rear brake pipe to differential case.....PCR311....2		
63.	Clip-servo hose.....AHC234....2	N.L.A	
64.	Clip-hose to heater.....PCR1007...1		
65.	Clip-pipe(dual)to heater.....AHA8683...1		
66.	Clip-pipe to RH front valance.AHH8735...1	N.L.A	
68.	Screw-clip to clutch hose bkt.HZS404...1	SH604041	
69.	Washer-spring.....LWZ204...1	GHF331	
70.	Nut-clip to differentail case.FNZ105...2	GHF201	
71.	Washer-plain.....FWZ105...2	GHF301	
72.	Washer-spring.....LWZ205...2	GHF332	
73.	Spacer-clip-servo hose.....AHC735...1	N.L.A.	
74.	Screw-clip-hose to heater....PMZ316...1		
75.	Washer-spring.....LWZ203...1	WL700101	
76.	Washer-plain.....PWZ103...1	GHF306	
77.	Screw-clip-pipe to heater....PMZ407...1	SE604041	
78.	Washer-spring.....LWZ204...1	GHF331	
79.	Washer-plain.....PWZ104...1	GHF300	

178

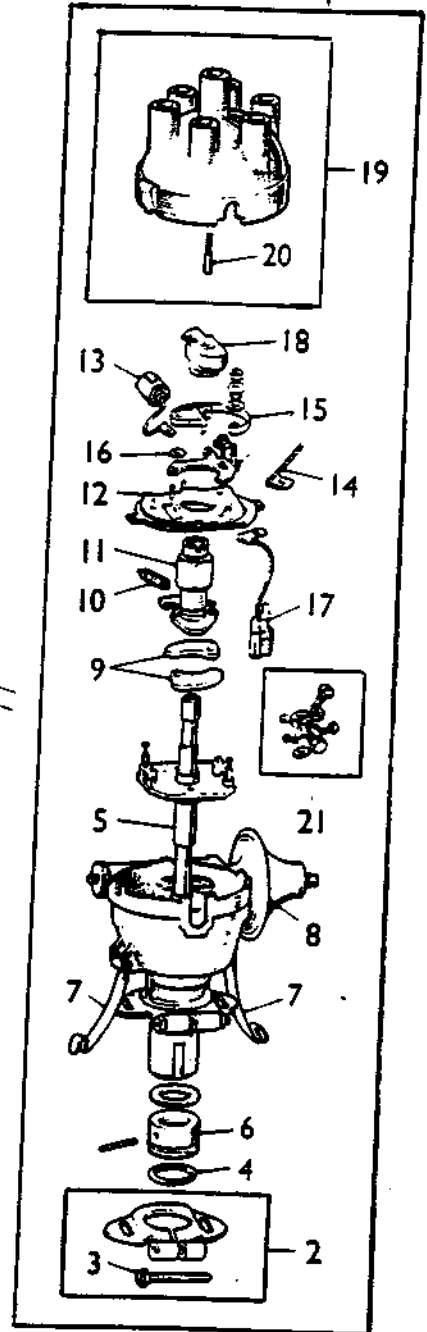
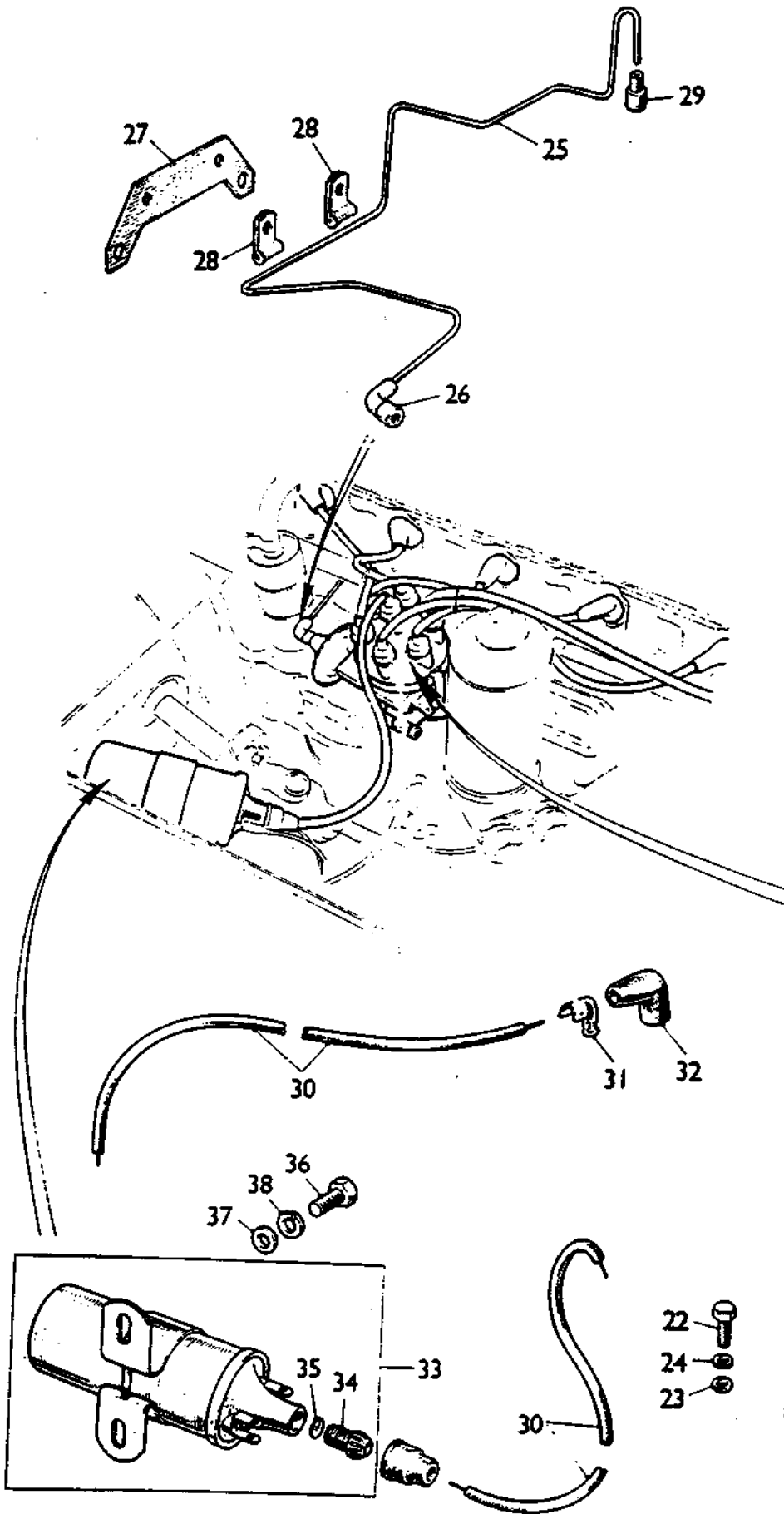


179

## HAND BRAKE MECHANISM

1.	Hand brake assembly.....	AHC546....1	N.L.A
2.	Handle.....	AHC547....2	N.L.A
3.	Grip-handle.....	AHH6228...1	N.L.A
4.	Rod-pawl.....	AHC548....1	N.L.A
5.	Knob-rod.....	AHH6231...1	N.L.A
6.	Spring-rod.....	AHC549....1	N.L.A
7.	Pawl.....	AHH6232...1	
8.	Washer-plain.....	AHH8154...1	N.L.A
9.	Plate-ratchet and stop.....	AHH6233...1	N.L.A
10.	Washer-plain.....	PWZ104....1	GHF300
11.	Lever-operating-handbrake.....	AHH6235...1	
12.	Locknut.....	53K1663...1	N.L.A
13.	Washer-plain.....	PWZ106....1	GHF302
14.	Screw-handbrake to gearbox cover.....	88G295....3	
15.	Fulcrum-handbrake compensator.....	AHH5025...1	
16.	Nut.....	LNZ106....1	
16.	Nut.....	LNZ105....1	
17.	Washer-plain.....	PWZ205....1	
17.	Washer-plain.....	PWZ107....2	WA600071
18.	Washer-anti-rattle.....	AHH8308...2	N.L.A
19.	Lever-compensating-inner.....	AHH5203...1	
20.	Lever-compensating-outer.....	ACH5101...1	
21.	Bush-lever.....	AHH5225...1	
22.	Screw.....	HZS405....1	SH604051
23.	Washer-spring.....	LWZ204....1	GHF331
24.	Nut.....	FNZ104....1	GHF200
25.	Cable-handbrake..DISC WHEELS..	AHC178....1	
25.	Cable-handbrake..WIRE WHEELS..	AHC179....1	
26.	Trunnion-cable.....	AHH5322...1	
27.	Nut-adjuster.....	ACH5104...1	
28.	Spring-cable.....	ACH8508...1	
29.	Washer-plain.....	PWZ104....1	GHF200
30.	Washer-plain.....	PWZ204....1	
31.	Pin-clevis.....	CLZ410....2	
32.	Nut-abutment.....	FNZ105....1	GHF201
33.	Washer-spring.....	LWZ205....1	GHF332
34.	Clamp-cable.....	AHH6236...1	N.L.A
35.	Nut-clamp.....	LNZ203....1	NY910041
36.	Ferrule-cable.....	ACH8529...1	
37.	Clip-cable.....	AHH6237...1	N.L.A
38.	Screw.....	HZS405....1	SH604051
39.	Washer-plain.....	PWZ104....1	GHF300
40.	Washer-spring.....	LWZ204....1	GHF331
41.	Nut.....	FNZ104....1	GHF200
42.	Clip-cable to 3-way connection.....	AHH5295...1	N.L.A
43.	Screw.....	FMZ306....1	
44.	Washer-spring.....	LWZ203....1	WL700101
45.	Nut.....	FNZ103....1	GHF206

180



181

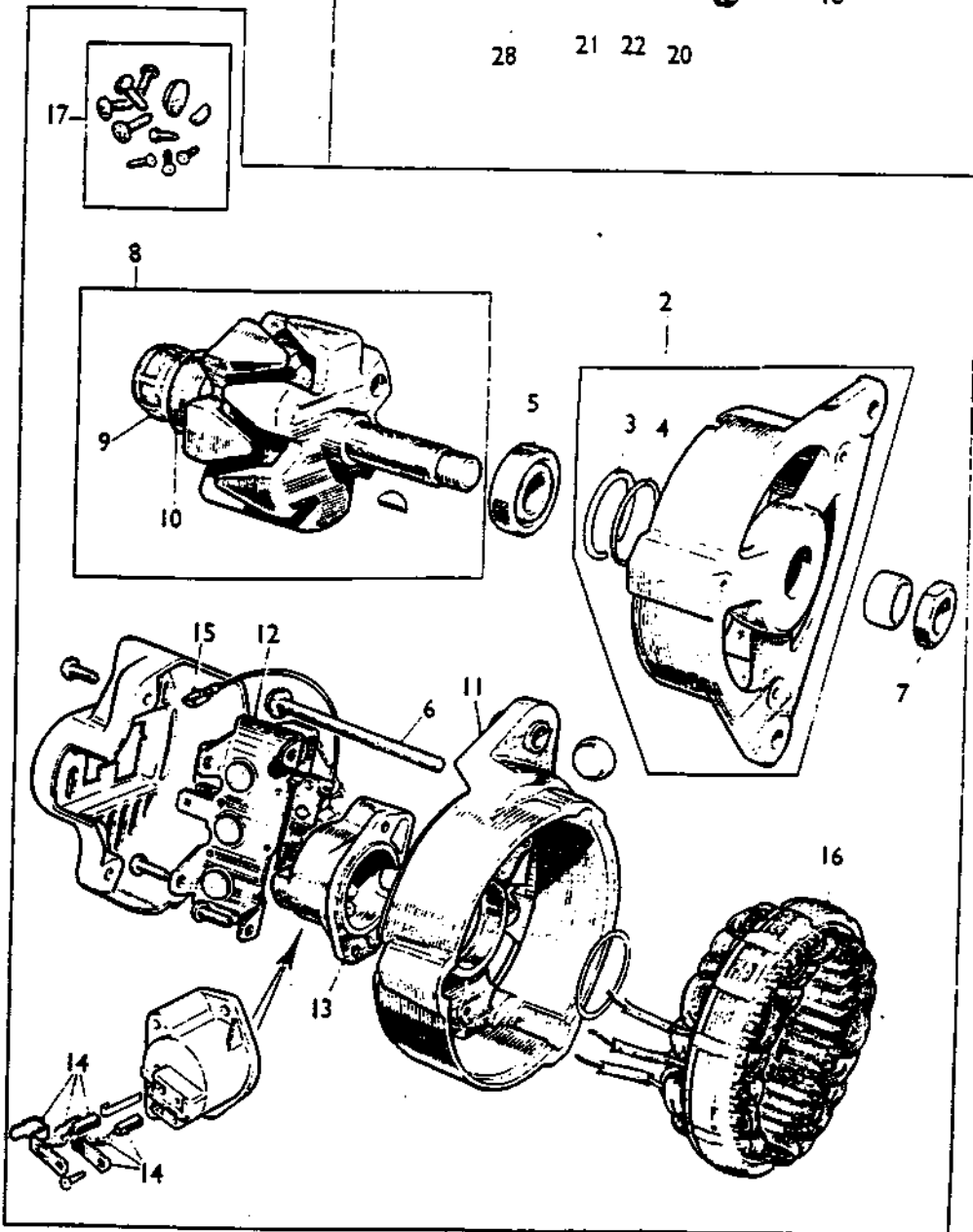
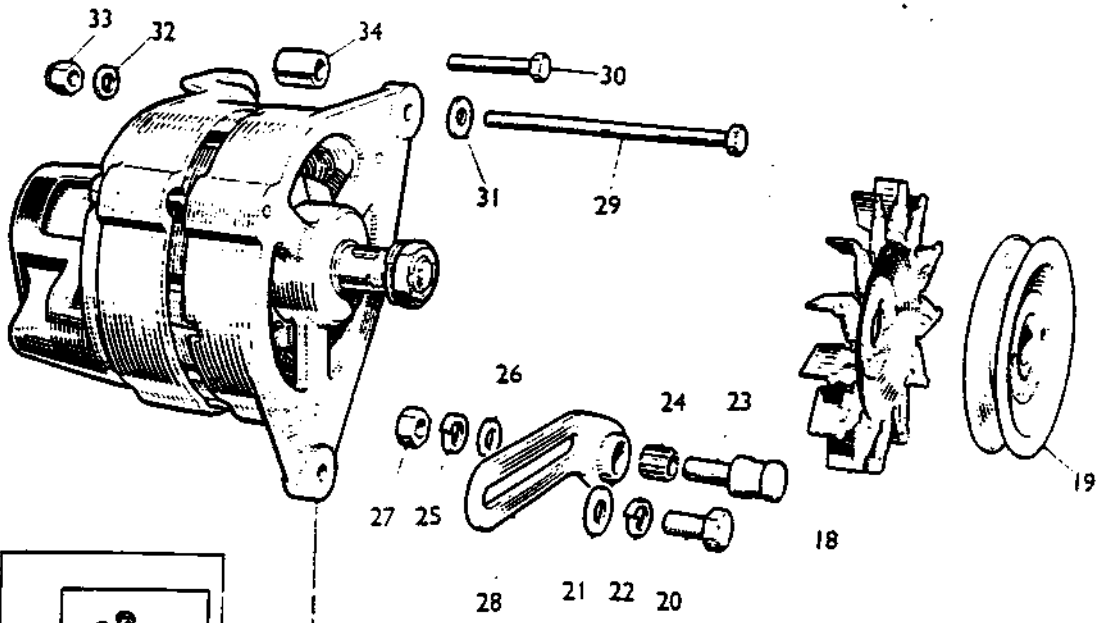
### ELECTRICAL EQUIPMENT DISTRIBUTOR

1.	Distributor assembly (NEW)....12B2510...1	DCS6022
	Distributor assy (EXCHANGE)...12B2510E..1	
2.	Plate assembly-clamping.....3H2138....1	
3.	Screw-clamping (with nut).....37H5065...1	N.L.A
4.	Seal-O'Ring oil.....27H6547...1	513682A
5.	Shaft-(with action plate).....17H9416...1	N.L.A
6.	Dog-driving.....47H5249...1	N.L.A
7.	Clip-cap retaining.....17H2392...2	N.L.A
8.	Vacuum unit.....37H2606...1	37H2980
9.	Weight.....57H5420...2	N.L.A
10.	Spring-automatic advance-set..37H2607...1	N.L.A
11.	Cam.....17H6970...1	N.L.A
12.	Plate-contact breaker base...17H5469...1	
13.	Condenser.....47H5250...1	GSC111
14.	Lead-earth.....17H5531...1	
15.	Contact set.....17H5423...1	GCS101
16.	Washer-insulating-terminal....7H6946...1	N.L.A
17.	Terminal (with bush and lead).57H5478...1	600329A
18.	Arm-rotor.....17H5110...1	GRA102
19.	Cap assembly.....27H9082...1	GDC115
20.	Brush-set (with spring).....17H5065...1	262703A
21.	Sundry parts-set.....17H5106...1	N.L.A
22.	Screw-distributor to housing..ZCS0405...2	SH504041
23.	Washer-plain.....PWZ204...2	
24.	Washer-spring.....LWZ204...2	GHF331
25.	Vacuum pipe.....12B2067...1	Exclusively available 2017
26.	Elbow-connector (rubber).....12B2062...1	
27.	Bracket.....12B1836...1	N.L.A
28.	Clip-pipe to rear plate.....11G2013...2	PCR309 Possibly 3 required
29.	Connector (rubber).....12B1837...1	ACH9041

### IGNITION COIL AND LEADS

30.	Ignition lead set.....TMG11072..1	
	Ignition cable (on roll).....AAA5981M.A/R	
	No.1 lead (37cm).....1	
	No.2 lead (31cm).....1	
	No.3 lead (23cm).....1	
	No.4 lead (13cm).....1	
	No.5 lead (11cm).....1	
	No.6 lead (22cm).....1	
	Coil lead (40cm).....1	
31.	Terminal-spark plug.....AEJ71...6	N.L.A
32.	Cover-terminal.....AEJ72...6	N.L.A
33.	Coil-ignition.....13H4553...1	GCL110
34.	Nut.....3H2695...1	105036
35.	Washer.....3H2696...1	214279A
36.	Screw-coil to wheelarch.....HZS0505...2	SH605051
37.	Washer-plain.....PWZ105...2	GHF301
38.	Washer-spring.....LWZ205...2	GHF332

SPARK PLUGS BP6ES<sup>2</sup>





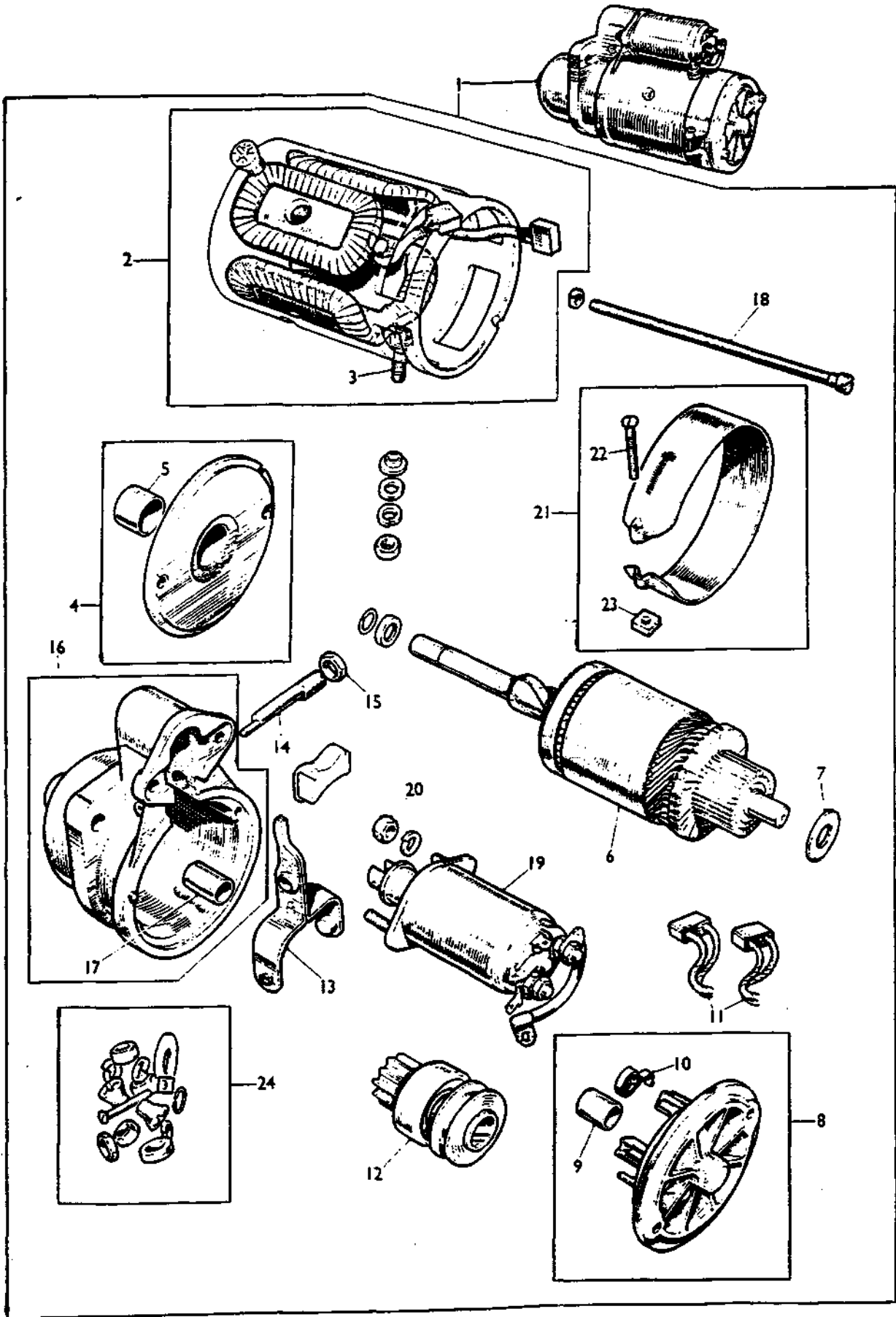
183

**ELECTRICAL EQUIPMENT  
ALTERNATOR  
(TYPE 16A - NEGATIVE EARTH)**

1.	Alernator assy-less fan.....	37H2245...1	GEU2201	EXCHANGE
2.	Bracket-drive end.....	37H2246...1		
3.	Circlip.....	27H3830...1	N.L.A	
4.	O'Ring-oil sealing.....	27H3832...1		
5.	Bearing.....	97H626...1	529221A	
6.	Bolt-through fixing.....	37H2247...3	N.L.A	
7.	Nut-shaft.....	37H2248...1	N.L.A	
8.	Rotor assembly.....	37H2249...1	N.L.A	
9.	Ring-slip.....	37H2250...1	N.L.A	
10.	Bearing.....	37H2251...1	N.L.A	
11.	Bracket-slip ring end.....	37H2252...1	N.L.A	
12.	Rectifier.....	37H2599...1	BAU5063	
13.	Box-brush.....	37H2254...1	N.L.A	
14.	Brush assembly.....	37H2255...1	GCB503	
15.	Connector-lucar-female.....	37H2256...1	N.L.A	
16.	Stator.....	37H2257...1	N.L.A	
17.	Sundry parts-set.....	37H2258...1	N.L.A	
18.	Fan.....	12H2515...1	C37222A	
19.	Pulley.....	12H1578...1	N.L.A	
20.	Screw.....	2H2092...1	N.L.A	
21.	Washer-plain.....	PWZ305...1		
22.	Washer-spring.....	LWZ305...1		
23.	Pillar-adjusting link.....	12B1415...1	N.L.A	
24.	Ring-tolerance-pillar.....	13H3298...1	N.L.A	
25.	Washer-spring.....	LWZ305...1		
26.	Washer-plain.....	PWZ205...1		
27.	Nut.....	FNZ105...1	GHF201	
28.	Link-adjusting.....	12B1451...1	N.L.A	
29.	Bolt-alternator front to side cover.....	HBZ0540...1	BH605401A	
30.	Bolt-alternator rear to side cover.....	HBZ0514...1	BH605141	
31.	Washer-plain (large).....	PWZ305...2		
32.	Washer-plain (small).....	PWZ105...2	GHF301	
33.	Nut-locking.....	LNZ205...2	GHF222	
34.	Bush-split-alternator bracket.....	12B1460...1	N.L.A	



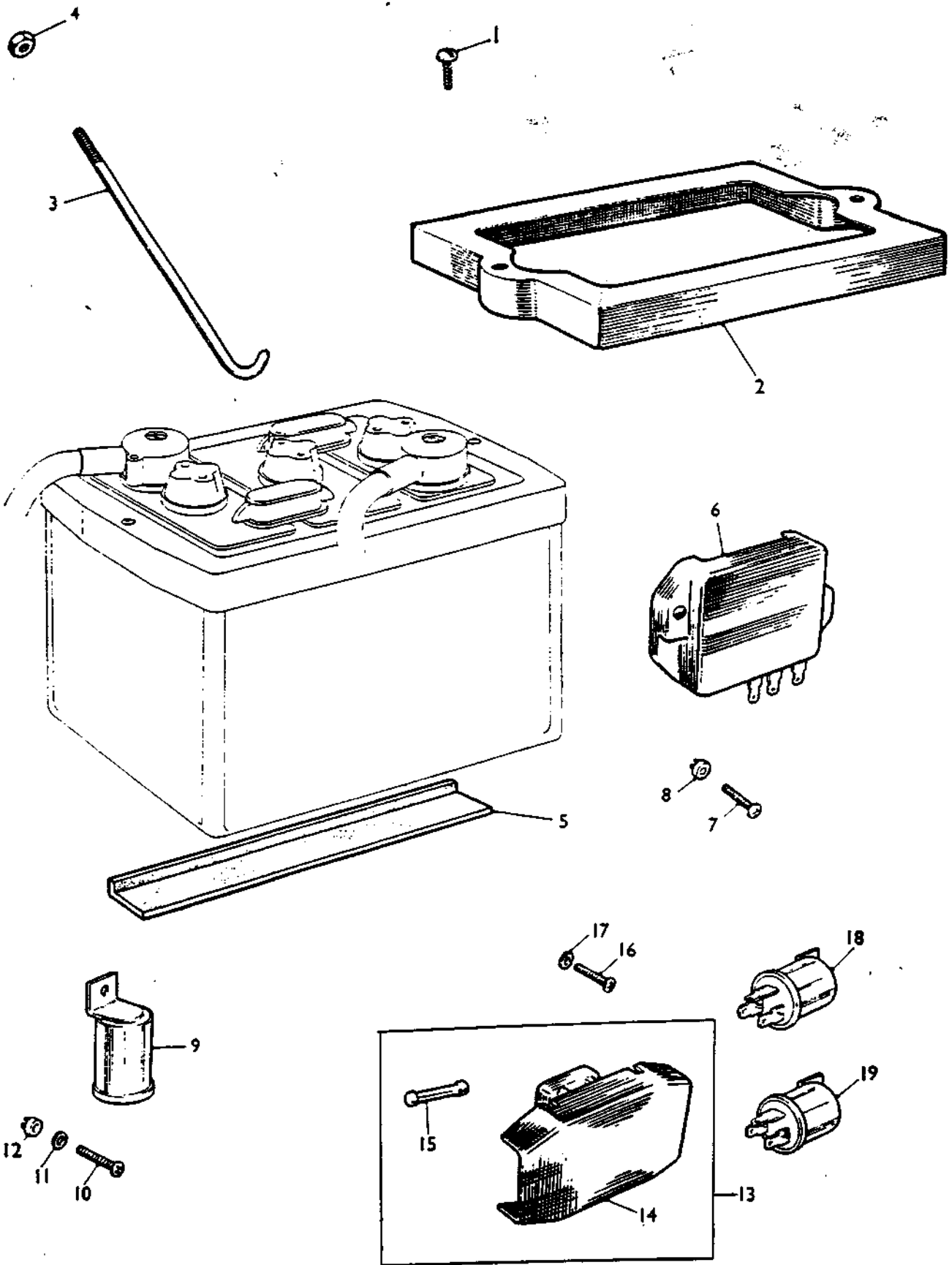
184



185

**ELECTRICAL EQUIPMENT  
STARTER**

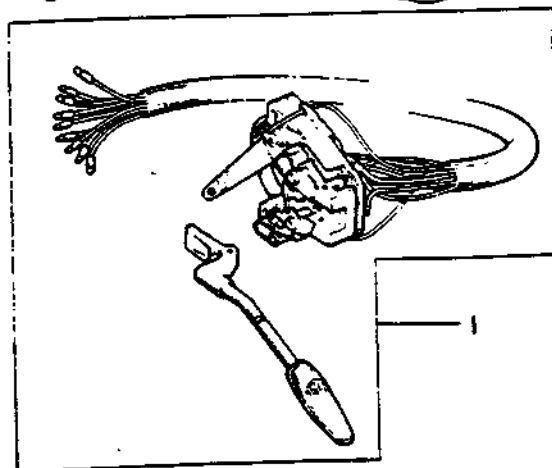
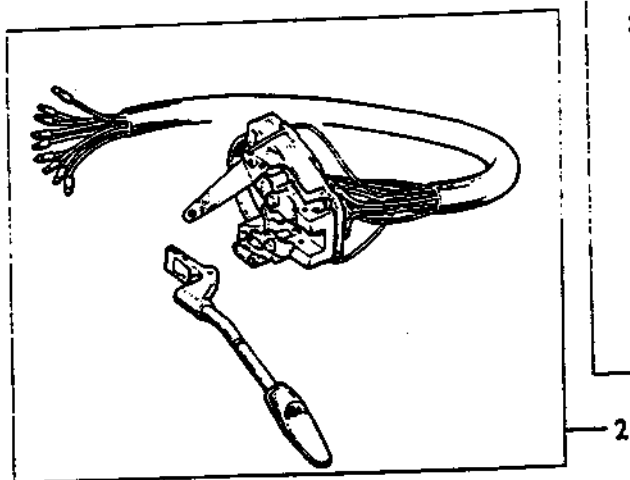
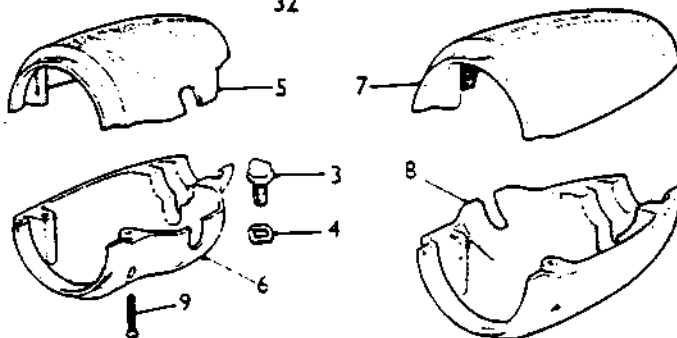
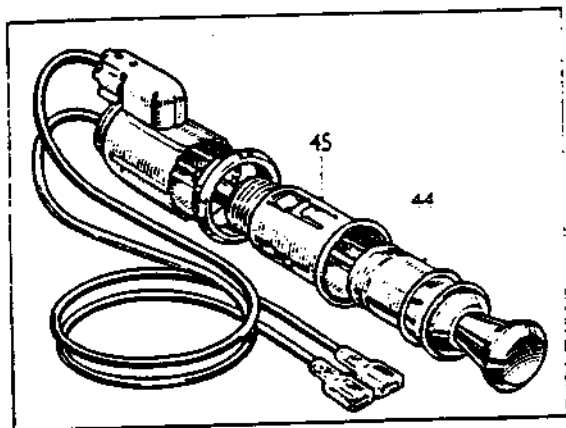
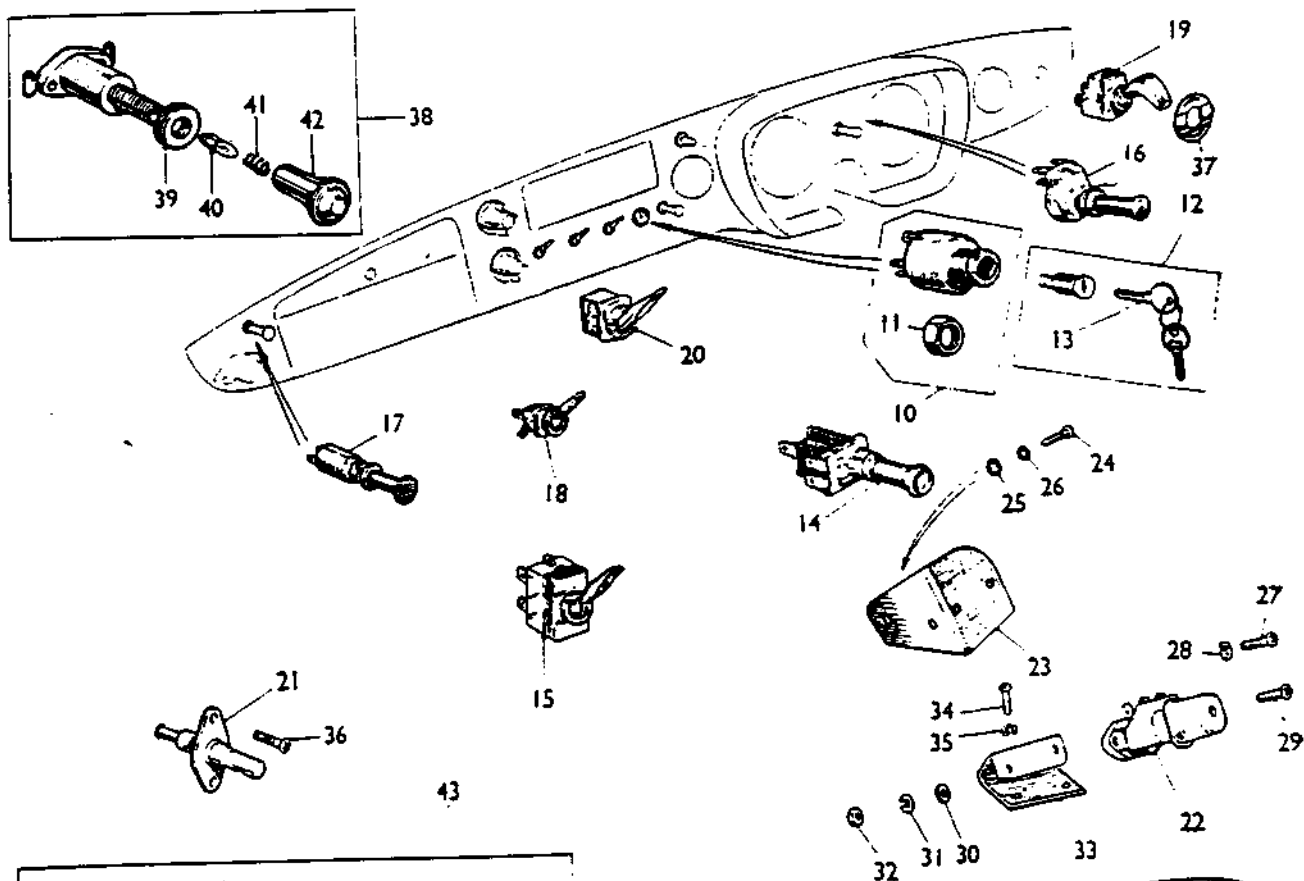
1.	Starter assembly.....	13H3300...1	13H3300E	EXCHANGE
2.	Coil assembly-field.....	7H5013...1		
3.	Terminal-field.....	27H8169...1	N.L.A	
4.	Bracket assy-intermediate.....	27H8170...1	N.L.A	
5.	Bushing.....	57H5375...1	N.L.A	
6.	Armature.....	27H8171...1	N.L.A	
7.	Washer-thrust-commutator end..	27H8172...1	N.L.A	
8.	Bracket assy-commutator end...	27H8173...1	N.L.A	
9.	Bushing-bearing.....	27H2290...1	N.L.A	
10.	Spring-brush tension-set.....	27H2291...1		
11.	Brush set.....	7H5002...1	GSB103	
12.	Drive.....	27H8174...1	N.L.A	
13.	Lever-pinion engaging.....	27H8175...1	N.L.A	
14.	Bolt-pivot.....	27H5884...1	N.L.A	
15.	Nut-pivot bolt.....	27H7874...1	N.L.A	
16.	Bracket assy-fixing.....	27H8176...1	N.L.A	
17.	Bushing-bearing.....	27H8177...1	N.L.A	
18.	Bolt-through fixing.....	27H5534...2	N.L.A	
19.	Solenoid.....	27H8178...1	AEV 1649	
20.	Nut-solenoid fixing.....	FNZ104...2	GHF200	
21.	Cover assembly-band.....	57H5369...1	N.L.A	
22.	Screw-fixing.....	AJD1252Z..1	N.L.A	
23.	Nut.....	AJD8612...1	N.L.A	
24.	Sundry parts-set.....	37H5028...1	N.L.A	



185

## ELECTRICAL EQUIPMENT

	Battery-6 volt.....	GBYA1.....	2	
1.	Screw-battery terminal.....	2K8645.....	4	
2.	Clamp-battery.....	AHH7109....	2	AHH6353
3.	Bolt-battery.....	88G294.....	4	
4.	Nut.....	LNZ204.....	4	GHF221
5.	Pad-battery (rubber).....	AHH6351....	4	
6.	Box-control.....	BHA4789....	1	
7.	Screw.....	PTZ805.....	2	AB608051
8.	Nut (nylon).....	13H2910....	2	GHF1030
9.	Control-warning light.....	BMK1092....	1	BMK1092A
10.	Screw.....	PTZ805.....	1	AB608051
11.	Washer-plain.....	PWZ203.....	1	
12.	Nut (nylon).....	13H226.....	1	GHF1030
12.	Nut (nylon).....	13H2910....	1	GHF1030
13.	Fusebox assembly.....	13H252.....	1	ALTERNATIVE
14.	Cover.....	47H5212....	1	606253A
15.	Fuse-35 amp.....	7H5067.....	4	505158A
16.	Screw.....	PMZ310.....	1	GFS35X
17.	Wsher-spring.....	LWZ203.....	1	WL700101
18.	Unit-flasher.....	BMK1736....	1	GFU2124
	Clip-flasher unit.....	BHA4780....	1	148621
	Screw.....	PTZ1004....	1	AB610041



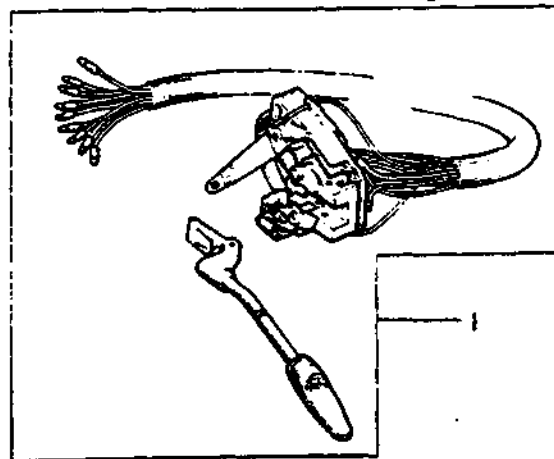
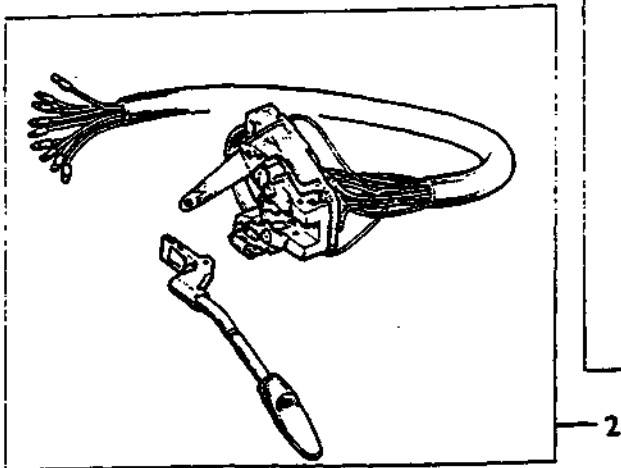
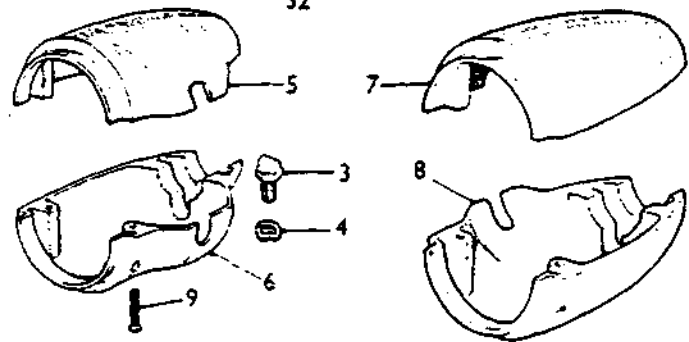
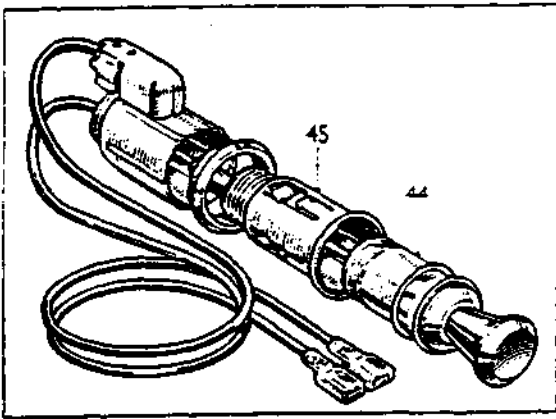
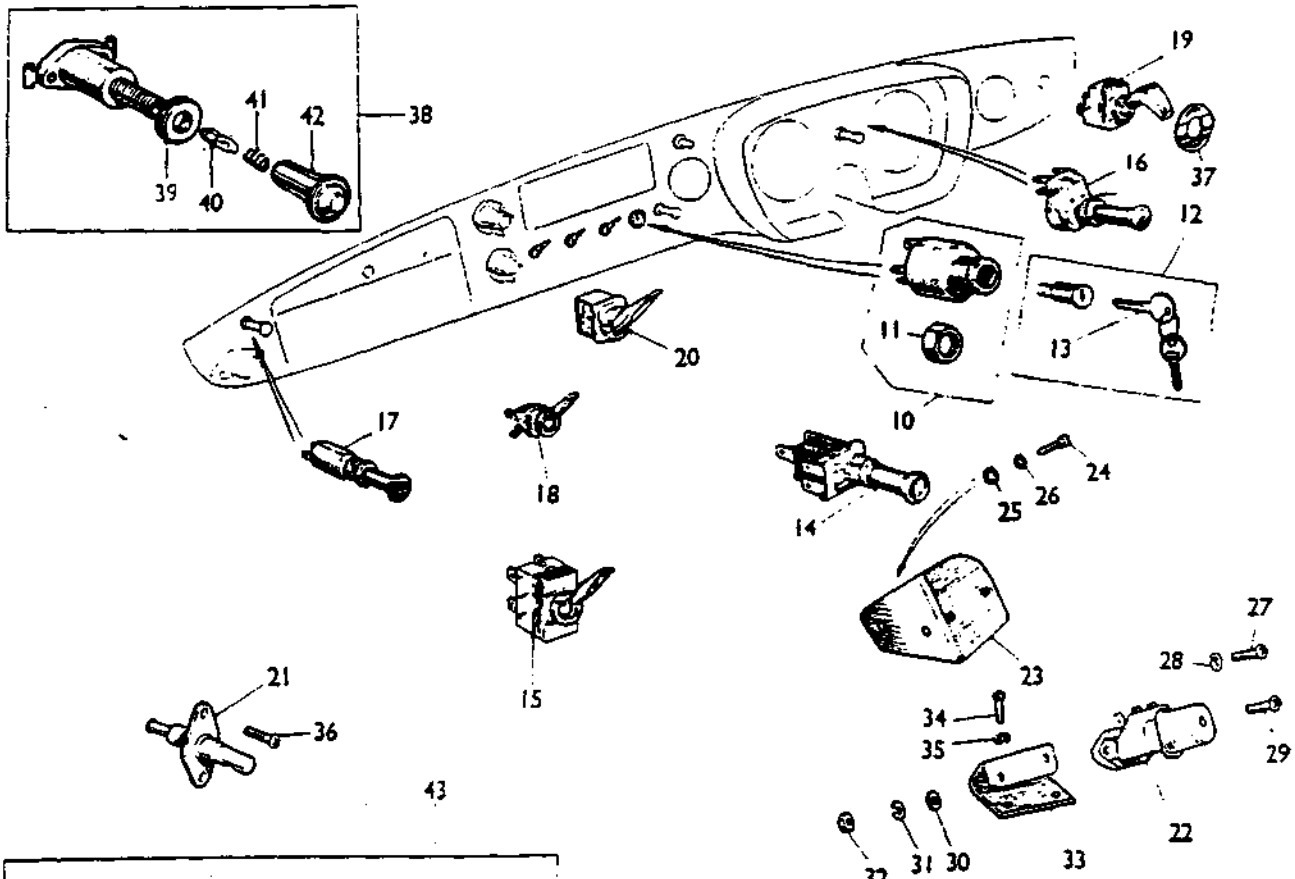
189

**SWITCHES  
(EXCEPT U.S.A)**

1.	Switch-direction indicator and headlamp flasher.....BHA4630...1	BHA4628	G-CD1,G-CN1 101-4679
	Switch-direction indicator and headlamp flasher.....BHA4898...1	BHA4628	G-CD1,G-CN1 4680 on
2.	Switch-direction indicator CANADA and JAPAN.....BHA4629...1	BHA4628	G-CD1 101-1493 Canada. 101-4679 Japan. G-CN1 101-3313 Canada. 101-4679 Japan.
	Switch-direction indicator JAPAN.....BHA4897...1	N.L.A	G-CD1,G-CN1 4680 on.
3.	Stud-trip-indicator switch....AHH7522...1	N.L.A	G-CD1 101-?
4.	Washer-crinkle.....BHA4540...1	N.L.A	G-CN1 101-2440
3.	Striker-indicator trip.....AHA8752...1	N.L.A	G-CD1 ?-1493 Canada. ?-on not N.America. G-CN1 2441-3313 Canada. 2441 on not N.America.
5.	Cowling-indicator switch top.....RHD...AHH6966...1}	18G8713	
6.	Cowling-indicator switch bottom.....AHH6967...1}		
7.	Cowling-indicator switch top.....LHD...AHH6968...1}	18G8714	
8.	Cowling-indicator switch bottom.....AHH6969...1}		
	Cowling set .....RHD...18G8387...1	18G8713	
9.	Screw.....RMP214...4	RMZ214	
10.	Switch-starter & ignition....EMK1199...1	127651	
11.	Nut-locking.....47H5481...1	N.L.A	
12.	Lock assy-ignition.....24G1345...1		G-CD1 101-1493
13.	Key (state number required)...ANK4646..A/R	N.L.A	Canada.
14.	Switch-lighting.....BHA4578...1	BCA4294	101 on
15.	Switch-windscreen wiper.....13H1909...1	149011A	not N.America.
16.	Switch-panel light.....BHA4278...1		G-CN1 101-3313
17.	Switch-map light.....BHA4280...1		Canada.
18.	Switch-heater.....BCA4312...1		101 on
19.	Switch-overdrive.....BHA4513...1		not N.America.

?:-CHANGE POINT UNKNOWN

190



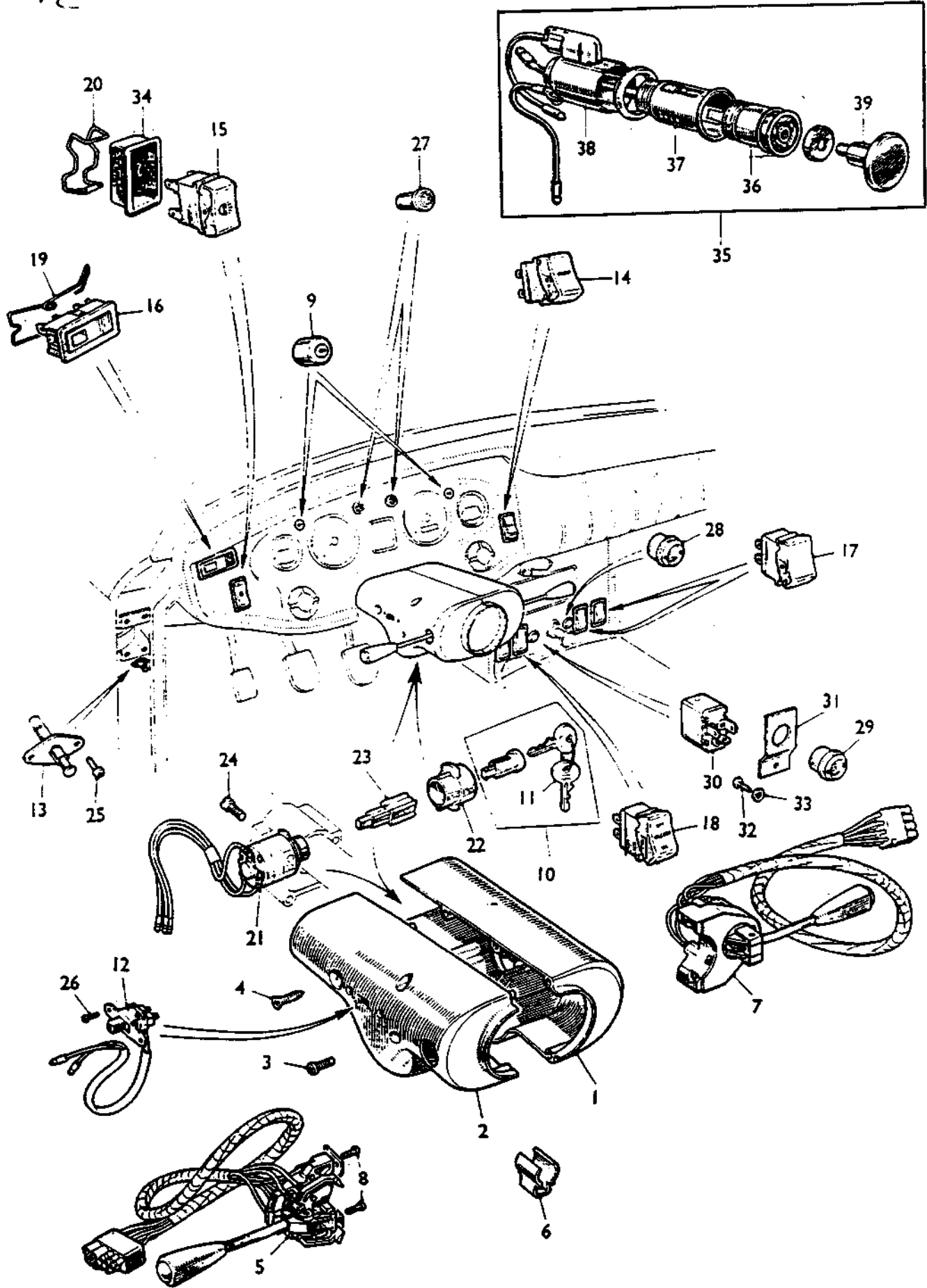
191

**SWITCHES**  
**(EXCEPT U.S.A)Continued**

20.	Switch-gear illumination lamp <b>AUTOMATIC</b> .....	BHA4482....1		
21.	Switch-courtesy light... <b>GT</b> ....	BHA4593...2	BHA4593B	
22.	Switch headlamp dipper.....	37H2099...1	RTC432A	
23.	Bracket-dipper switch.....	AHC97....1	N.L.A	
24.	Screw-bracket to body.....	PMZ308....2		
25.	Washer-plain..... <b>RHD</b> ..	PWZ203....2		
26.	Washer-spring.....	LWZ203....2	WL700101	
27.	Screw-switch to bracket....	PMZ310....2		
28.	Washer-spring.....	LWZ203....2	WL700101	
29.	Screw-switch to bracket....	PMZ310....2		
30.	Washer-plain.....	PWZ103....2	GHF306	
31.	Washer-spring..... <b>LHD</b> ..	LWZ203....2	WL700101	
32.	Nut.....	FNZ103....2	GHF206	G-CD1 101-1493
33.	Bracket-switch to toeboard. .	AHC239....1	N.L.A	Canada.
34.	Screw-bracket.....	PMZ312....2		101 on
35.	Washer-spring.....	LWZ203....2	WL700101	not N.America.
36.	Screw-courtesy light switch...PTP603....4		AB606033	G-CN1 101-3313
37.	Escutcheon-overdrive switch...AHH6277...1			Canada.
38.	Switch-heated back light... ..97H2792...1		GAE132	101 on
39.	Ring-locking..... <b>GT</b> ..	37H1453...1	N.L.A	not N.America.
40.	Bulb..... <b>OPTIONAL</b> ..	BFS281....1	GLB281	
41.	Spring..... <b>EXTRA</b> ..	37H1451...1	N.L.A	
42.	Knob.....	37H1452...1	N.L.A	
43.	Lighter assy-cigar.....	AHH7010...1	ZKC1152	
44.	Unit-heat..... <b>OPTIONAL</b> ..	27H9735...1	AJMI253	
45.	Receptacle..... <b>EXTRA</b> ..	27H8309...1	N.L.A	



192

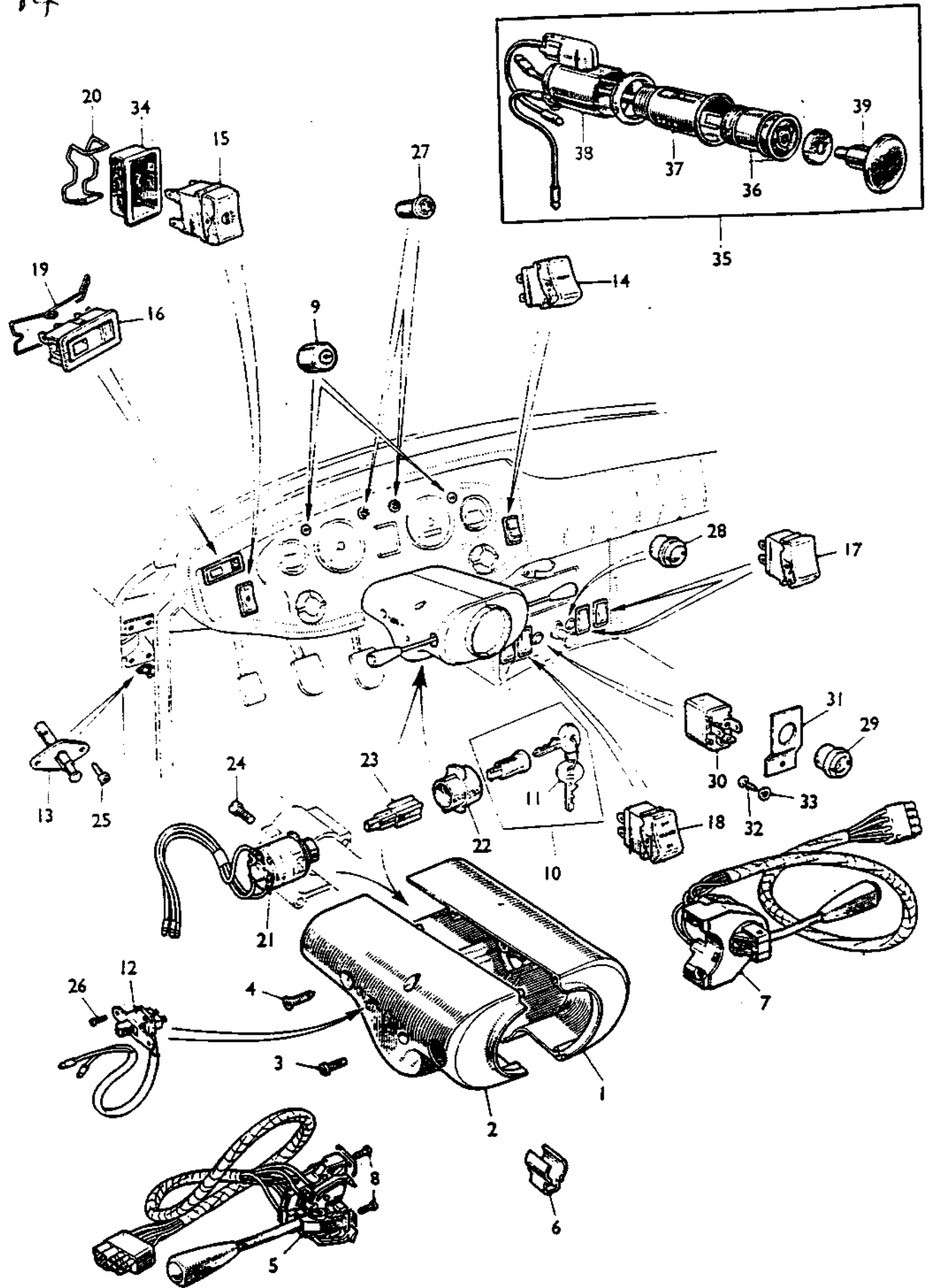


193

**SWITCHES  
(NORTH AMERICA)**

1.	Cowl-switch (pair).....	18G8547...1	N.L.A	
3.	Screw-cowl.....	FMZ316....2		
4.	Screw-cowl.....	ZPT1003...2	N.L.A	
5.	Switch-direction indicator horn and headlamp dipper.....	BHA4696...1	N.L.A	
6.	Striker-switch.....	AHH8722...1	BHH402	G-CD1 101 on U.S.A.
7.	Switch-windscreen wiper washer and overdrive.....	BHA4697...1	N.L.A	1494 on Canada.
8.	Screw.....	AHH8895...2	N.L.A	G-CN1 101 on
9.	Window-direction indicator....	BHA4791...2	N.L.A	U.S.A.
10.	Lock assembly-ignition.....	24G1345...1		3314 on Canada.
11.	Key (state number required)...	ANK4646...2	N.L.A	
12.	Switch-panel light.....	BHA4698...1		
13.	Switch-courtesy light...GT....	BHA4593...2	BHA4593B	
14.	Switch-heater.....	BHA4831...1	N.L.A	
15.	Switch-lighting.....	37H2675...1		
16.	Switch-brake check light.....	BHA4742...1	BHA4990	G-CD1 101-1493 U.S.A. 1494-4265 Canada. G-CN1 101-3313 U.S.A. 3314-4235 Canada. G-CD1 4266 on G-CN1 4236 on
	Switch-brake check light.....	BHA4933...1		
17.	Switch-map light.....	37H2778...1	N.L.A	
17.	Switch-heated back light.....	37H2779...1	BHA5237	
	plus retaining clip		BHH1085	
18.	Switch-hazard warning.....	37H2679...1		
19.	Clip-spring brake check light.	AHH8920...1	N.L.A	
20.	Clip-spring-switch.....	AHH8921...2	N.L.A	
21.	Switch-ignition.....	BHA4732...1	N.L.A	
22.	Housing-ignition switch.....	BHA4802...1	N.L.A	G-CD1 101 on
23.	Spindle-extension.....	BHA4803...1	N.L.A	U.S.A.
24.	Screw.....	AHH8781...2	N.L.A	1494 on Canada.
25.	Screw-courtesy light switch...	PTP603....4	N.L.A	G-CN1 101 on
26.	Screw-panel light switch.....	RMZ204....2	N.L.A	U.S.A.
27.	Body-warning light-ignition...	BHA4780...1	BCA4780A	3314 on Canada.
27.	Body-warning light-high-beam..	27H8052...1		
28.	Body-warning light-H.R.W..GT..	BHA4770...1		

194

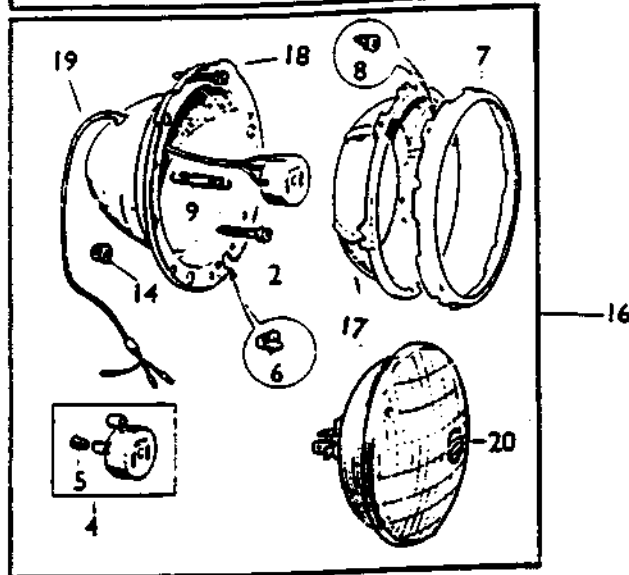
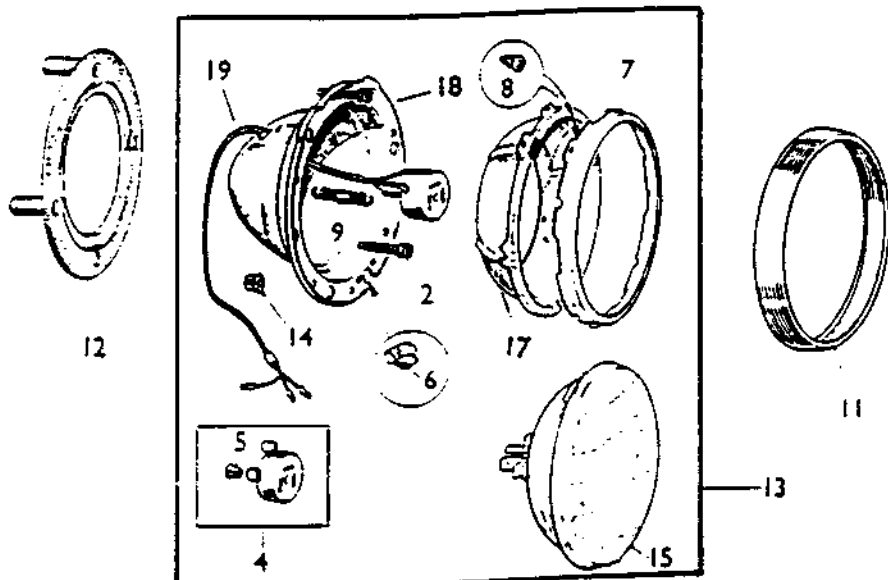
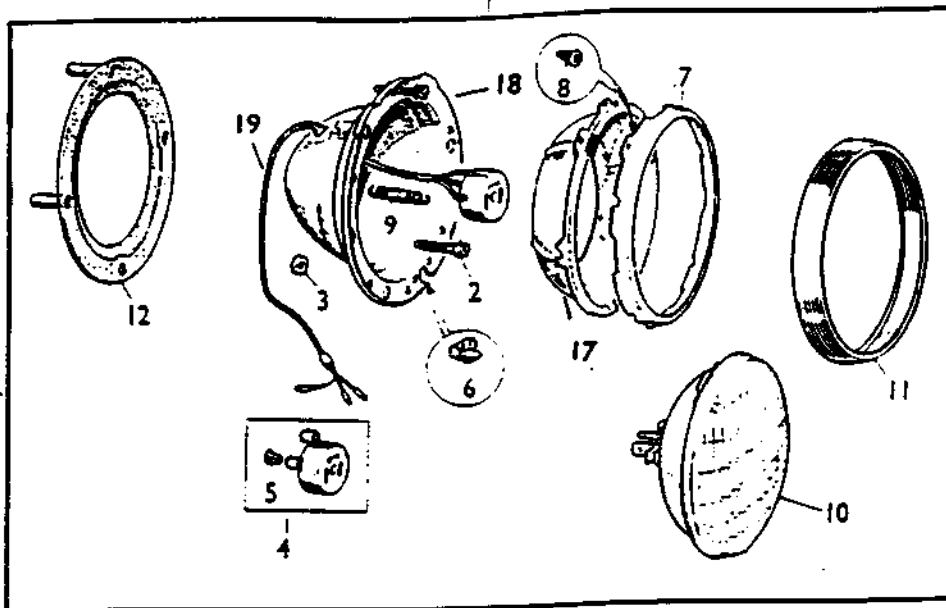


195

SWITCHES  
(NORTH AMERICA)Continued

29.	Lamp-hazard warning.....	BHA4804...1	N.L.A	] G-CD1 101 on U.S.A. 1494 on Canada. G-CN1 101 on U.S.A. 3314 on Canada.
30.	Unit-hazard warning.....	13H4666...1	C28520	
31.	Bracket-unit.....	AH8889...1	N.L.A	
32.	Screw.....	PTZ603...1	N.L.A	
33.	Washer-plain.....	PWZ102...1	N.L.A	
34.	Bezel-switch.....	BHA4832...4		
34.	Bezel-switch used with 37H2675.....	37H4495...1		
35.	Lighter assy-cigar.....	BHA4765...1	ZKC1152	
36.	Unit-heat.....	27H9735...1	AJM1253	
37.	Receptacle.....	OPTIONAL 27H8309...1	N.L.A	
38.	Clamp(shell).....	EXTRA 37H2505...1	N.L.A	
39.	Knob.....	37H2503...1		

196

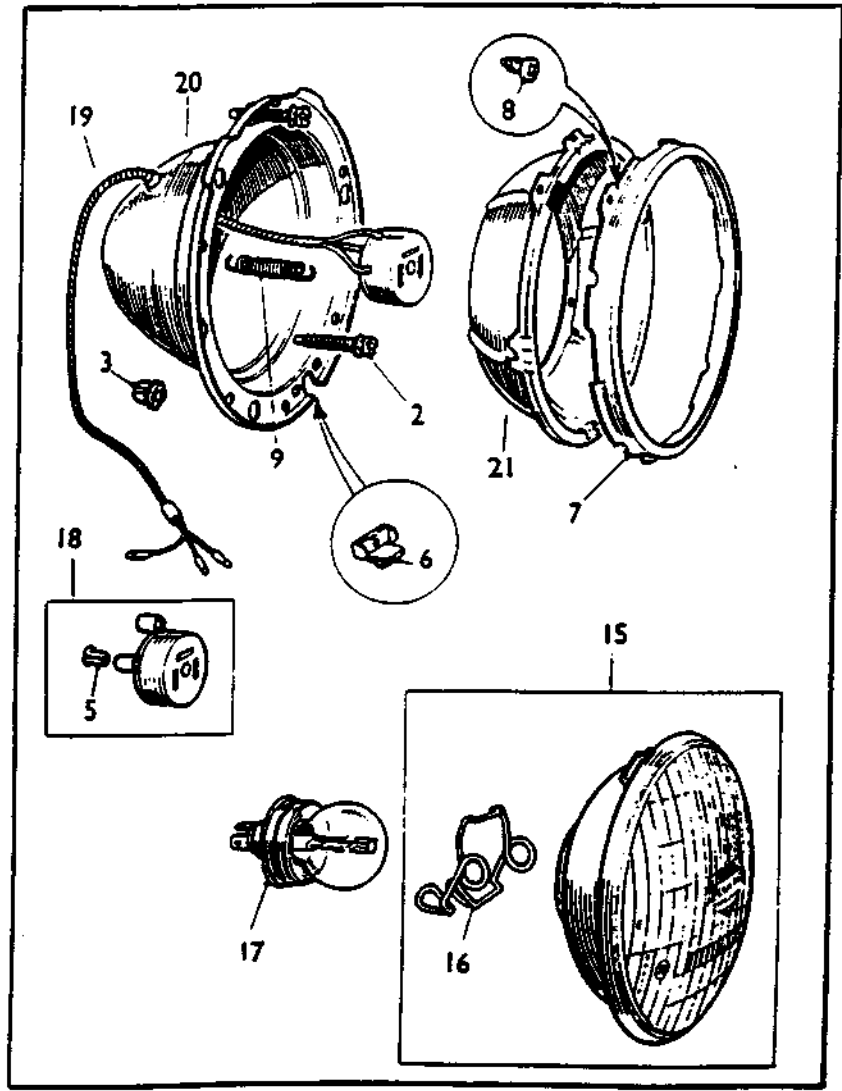
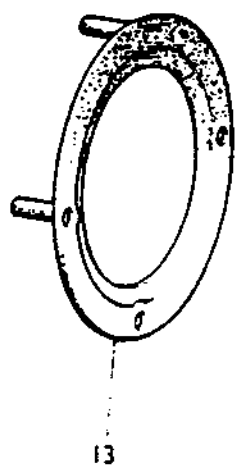
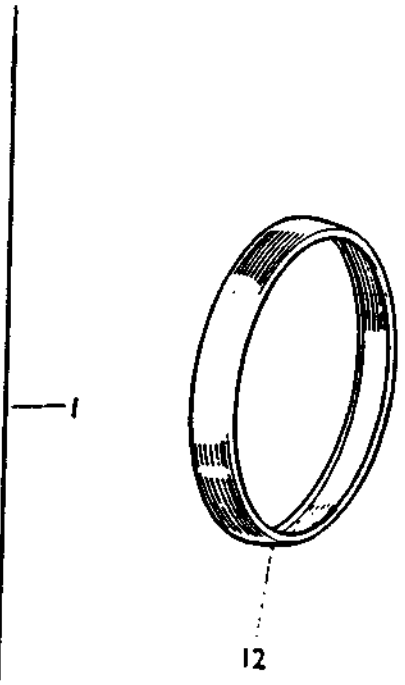
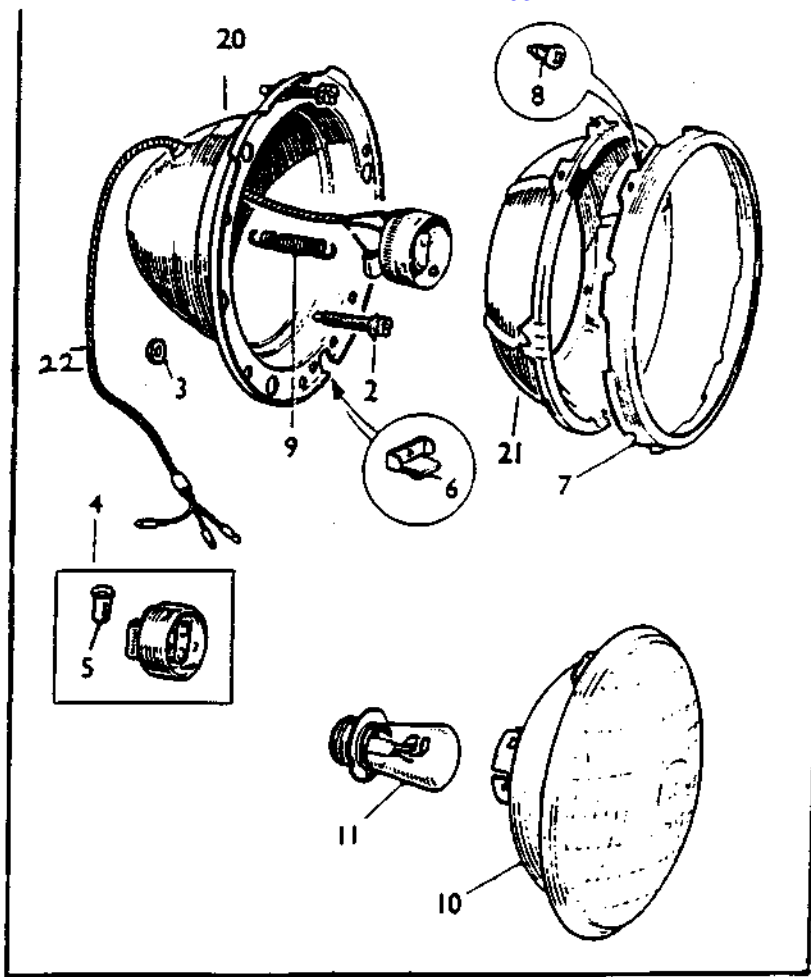


197

## LAMPS

1.	Headlamp complete.....	UK	BHA4583...2	
10.	Unit-light.....	ONLY	13H3975...2	XBC10103
2.	Screw-trimmer.....		67H5025...4	BHM7058
3.	Nut-trimmer screw.....		27H6482...4	BHM7058
4.	Adaptor assembly.....		47H5126...2	600226A
5.	Sleeve.....		27H6713...6	
6.	Clip-rim retaining.....		27H2362...2	BAU1460
6.	Clip-rim retaining.....		37H2930...2	BAU1460
7.	Ring-light unit retaining.....		27H3338...2	515218A
8.	Screw.....		PTZ602...6	AB606021
9.	Spring-unit seating rim.....		67H5026...2	BHM7058
11.	Bezel-headlamp.....		57H5296...2	
12.	Gasket (rubber).....		13H565...2	
14.	Retainer-trimmer screw.....		27H7824...4	BHM7058
17.	Inner bowl.....		SML4...2	
18.	Bucket-headlamp.....		SML3...2	
19.	Harness and adaptor assy.....		BAU2110...2	
13.	Headlamp complete.....	RHD	27H8263...2	
15.	Unit-light.....	EXCEPT UK	13H494...2	13H3471A
16.	Headlamp complete.....	NORTH	27H8266...2	
20.	Unit-light.....	AMERICA	GLU133...2	BMK2508

ALTERNATIVE



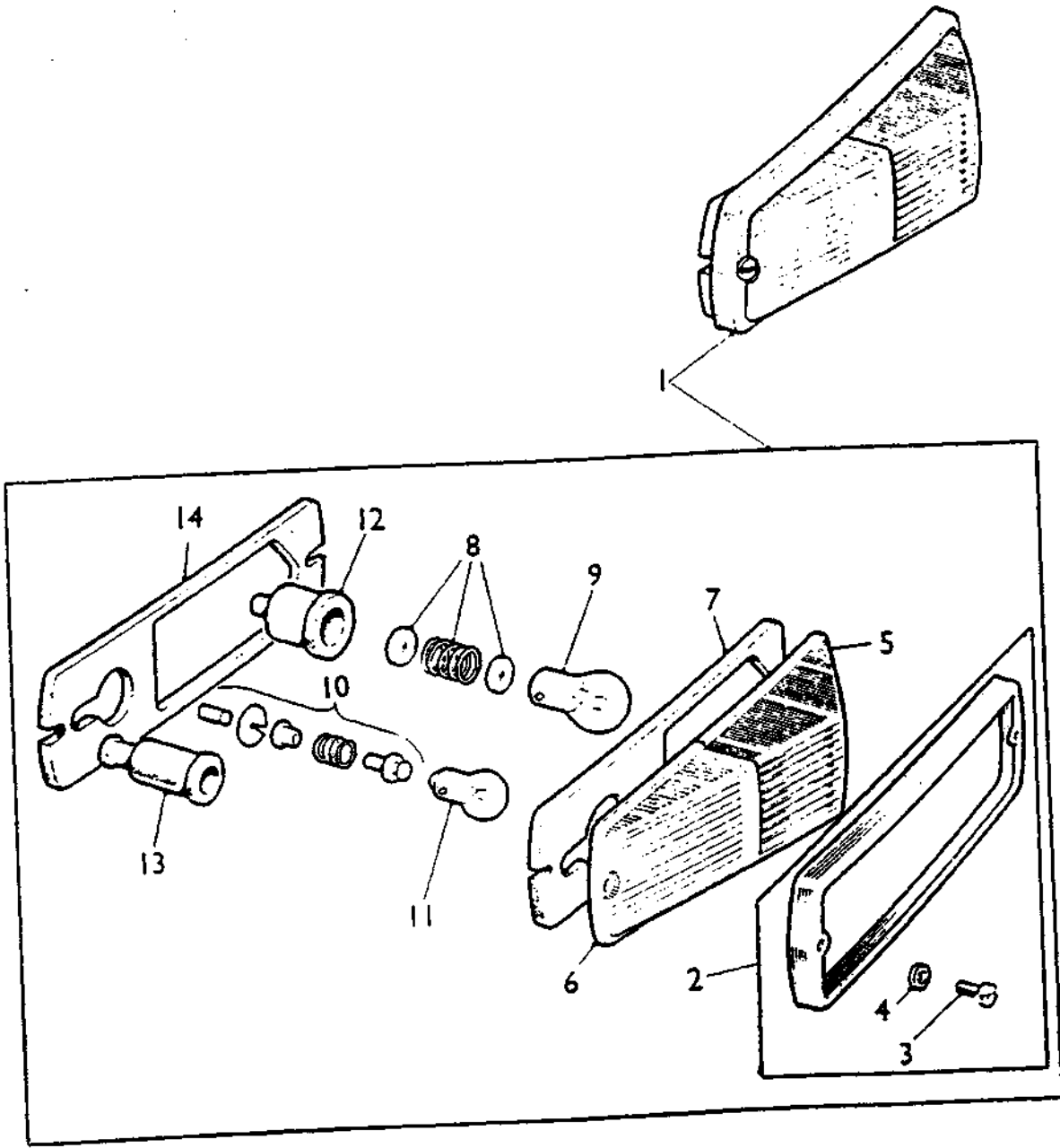
(199)

**LAMPS**  
**(Continued)**

1.	Headlamp complete			
	right dip-mk.X...LHD EXCEPT	..BHA4508...2	N.L.A	
4.	Adaptor assy..EUROPE, FRANCE	..17H5306...2	27H2333	
10.	Unit-light.....and	..17H5375...2	GLU717	
11.	Bulb.....NORTH AMERICA	..BFS415...2	GLB415	
3.	Nut-trimmer screw.....	27H6482...4	BHM7058	
3.	Retainer-trimmer screw.....	27H7824...4	BHM7058	ALTERNATIVE
5.	Sleeve-terminal.....	27H6713...6		
6.	Clip-rim retaining.....	27H2362...2	BAU1460	
6.	Clip-rim retaining.....	27H2930...2	BAU1460	ALTERNATIVE
7.	Ring-light unit retaining....	27H3338...2	515218A	
8.	Screw.....	PJZ602...2	AB606021	
9.	Spring-unit seating rim.....	67H5026...2	BHM7058	
12.	Bezel-headlamp.....	57H5296...2		
13.	Gasket (rubber).....	13H565...2		
14.	Headlamp complete			
	vertical dip-mk.X....EUROPE	..27H8264...2		
17.	Bulb.....EXCEPT FRANCE	..BFS410...2	GLB410	
14.	Headlamp complete			
	vertical dip-mk.X....FRANCE	..27H8265...2	N.L.A	
17.	Bulb.....ONLY	..BFS411...2	GLB411	
15.	Unit-light.....	27H4146...2	27H4146A	
16.	Spring-bulb retaining.....	47H5125...2	N.L.A	
18.	Adaptor assembly.....	47H5126...2	600226A	
19.	Harness and adaptor assy.....	BAU2110...2		
20.	Bucket-headlamp.....	SML3...2		
21.	Inner-bowl.....	SML4...2		
22.	B.P.F. LAMP HARNESS	27H2333	2	



200

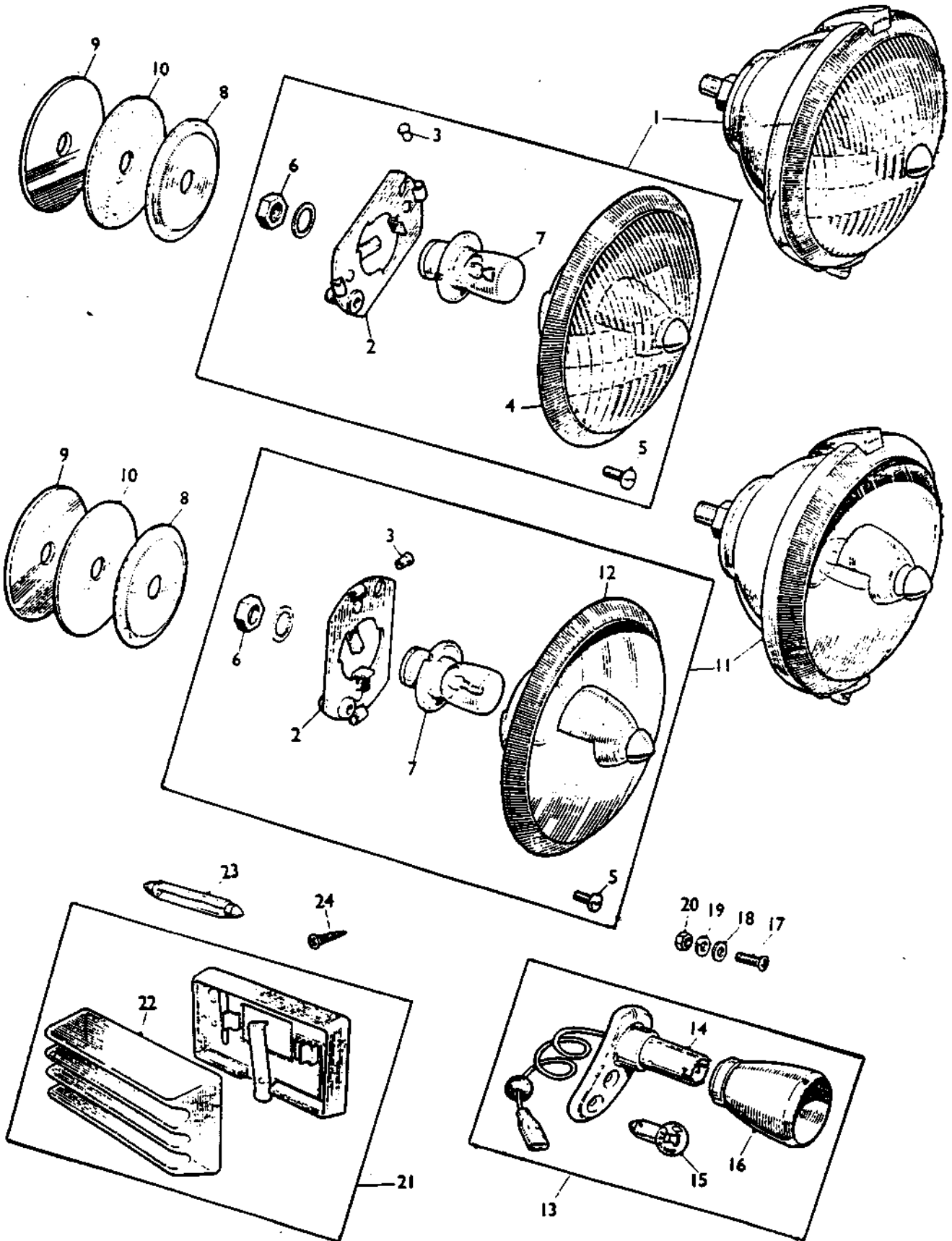


201

**LAMPS**  
**(Continued)**

1.	Lamp assy-side & flasher white/amber.....	BHA4238...2	BHA4966	
	Lamp assy-side & flasher white/white.....	<b>LHD</b> ...BHA4239...2	BHA4967	
	Lamp assy-side & flasher amber/amber..	<b>NORTH AMERICA</b> ...BHA4749...2	37H4719	G-CD1 101 on U.S.A. 1494 on Canada. G-CN1 101 on U.S.A. 3314 on Canada.
2.	Rim-chrome.....	57H5568...2	516304	
3.	Screw-rim retaining.....	AJD1205C..4	57H5569	
4.	Washer-screw retaining.....	21G9057...4		
5.	Lens-flasher-amber.....	17H3319...2	516306	
	Lens-flasher-white.....	17H3308...2	516307	
6.	Lens-sidelight-white.....	17H2966...2	516308	
	Lens-sidelight-amber.....	37H3829...2	520087	
7.	Gasket-lens seating.....	57H5572...2		
8.	Interior-bulb holder flasher lamp.....	37H5452...2		
9.	Bulb-flasher.....	BFS382...2	GLB382	
10.	Interior-bulb holder sidelight.....	7H5536...2	244700A	
11.	Bulb-sidelight.....	BFS989...2	GLB989	
12.	Grommet-cable-flasher.....	57H5465...2	17H5216	
13.	Grommet-cable-sidelight.....	37H5294...2		
12.	Grommet-cable-flasher.....	13H3700...2	17H5216	
13.	Grommet-cable- sidelight....	<b>NORTH AMERICA</b> ...37H1894...2	37H5294	
14.	Gasket-lamp seating.....	57H5572...2		
15.	Fastener-dotloc-lamp to body..	2A9156....4	HN2005	

202

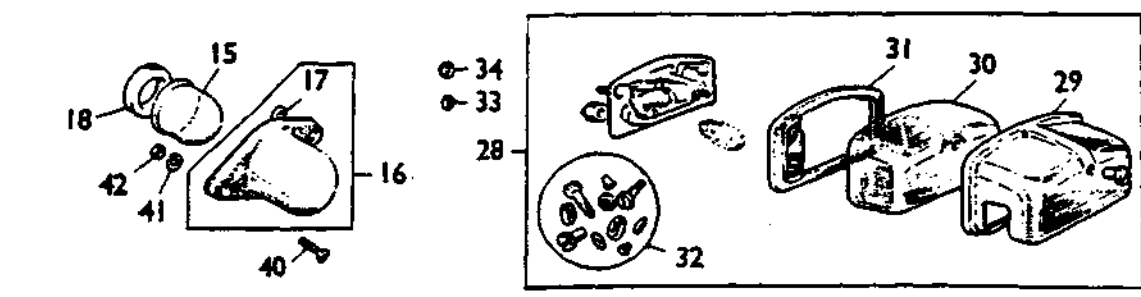
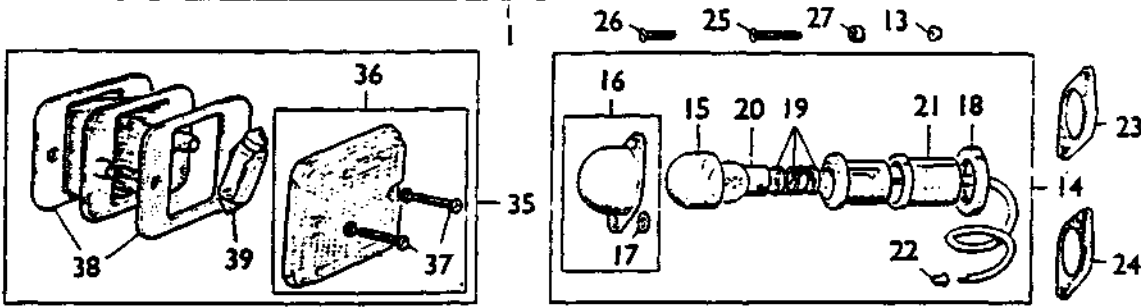
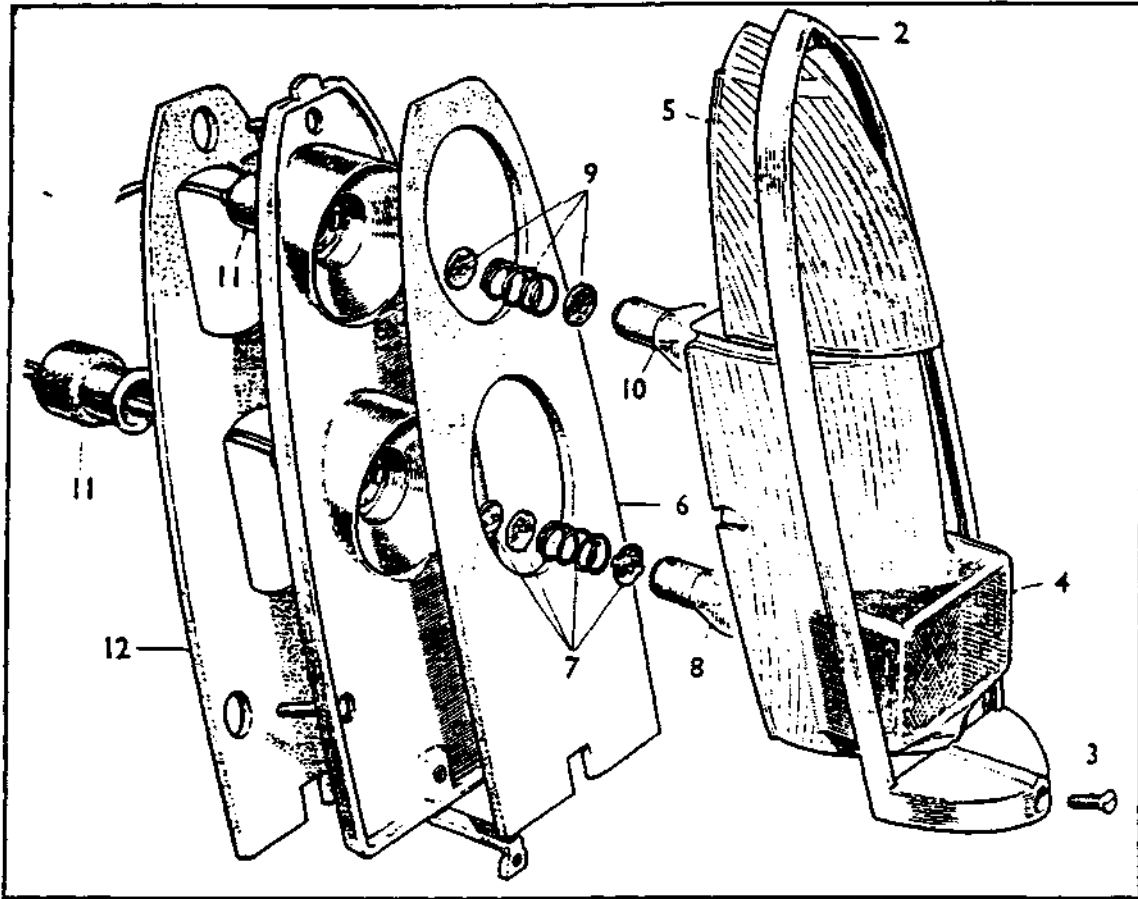
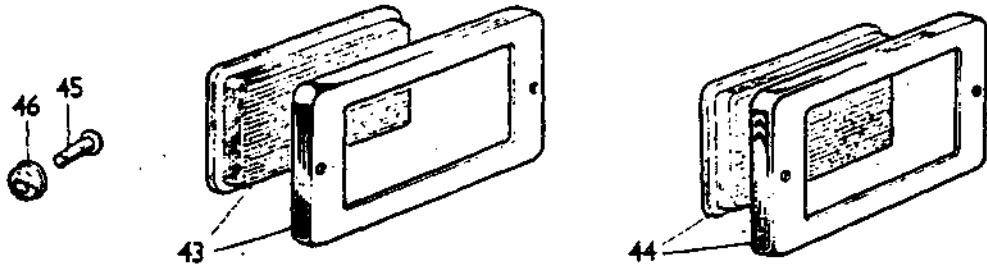


(203)

## LAMPS cont..

1.	Lamp assy-fog.....	BHA4399...1	N.L.A.	Optional extra
2.	Bulb holder.....	57H5336...1	N.L.A.	Optional extra
3.	Sleeve-terminal.....	27H6713...2		Optional extra
4.	Light unit.....	ACG5179...1	N.C.A.	Optional extra
5.	Screw-clamping.....	17H5400...1	57H5569	Optional extra
6.	Nut-fixing bolt.....	7H5356...1	N.L.A.	Optional extra
7.	Bulb.....	BFS323...1	GLB323	Optional extra
8.	Cup-lamp mounting.....	BHA4408...1	N.L.A.	Optional extra
9.	Plate-fixing.....	BHA4409...1	N.L.A.	Optional extra
10.	Pad (rubber).....	BHA4410...1	N.L.A.	Optional extra
11.	Lamp assy-long range driving..	BHA4400...1	N.L.A.	Optional extra
2.	Bulb holder.....	57H5336...1	N.L.A.	Optional extra
3.	Sleeve-terminal.....	27H6713...1	N.L.A.	Optional extra
12.	Light unit.....	57H5015...1		Optional extra
5.	Screw-clamping.....	17H5400...1	57H5569	Optional extra
6.	Nut-fixing bolt.....	7H5356...1	N.L.A.	Optional extra
7.	Bulb.....	BFS185...1	N.L.A.	Optional extra
8.	Cup-lamp mounting.....	BHA4408...1	N.L.A.	Optional extra
9.	Plate-fixing.....	BHA4409...1	N.L.A.	Optional extra
10.	Pad (rubber).....	BHA4410...1	N.L.A.	Optional extra
<u>Automatic except N.America.</u>				
13.	Lamp assy-gear illumination...	BHA4488...1	N.C.A.	G-CD1-101 to
14.	Bulb holder.....	37H5452...1		1493 Canada, 101
15.	Bulb.....	BFS989...1	GLB989	on except North
16.	Cowl.....	37H1549...1	N.L.A.	America.
17.	Screw-lamp to fascia.....	RMP0308...1	RMP308	G-CN1-101 to
18.	Washer-plain.....	PWZ103...1	GHF306	3313 Canada, 101
19.	Washer-spring.....	LWZ203...1	WL700101	on except North
20.	Nut.....	ANZ103...1	N.L.A.	America.
21.	Lamp assy-roof.....	GT.24G3388...1	EAM1650	
22.	Lens.....	GT.24G3389...1		
23.	Bulb.....	GT.BFS254...1		
24.	Screw.....	GT.PTZ806...2	GLB239	
			GHF424	

204

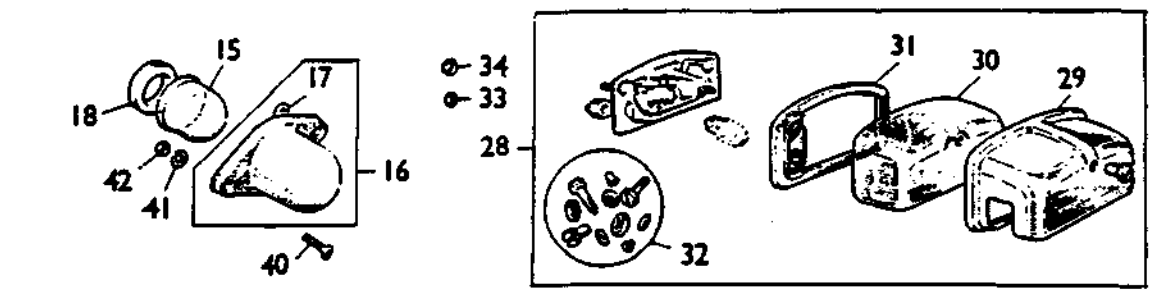
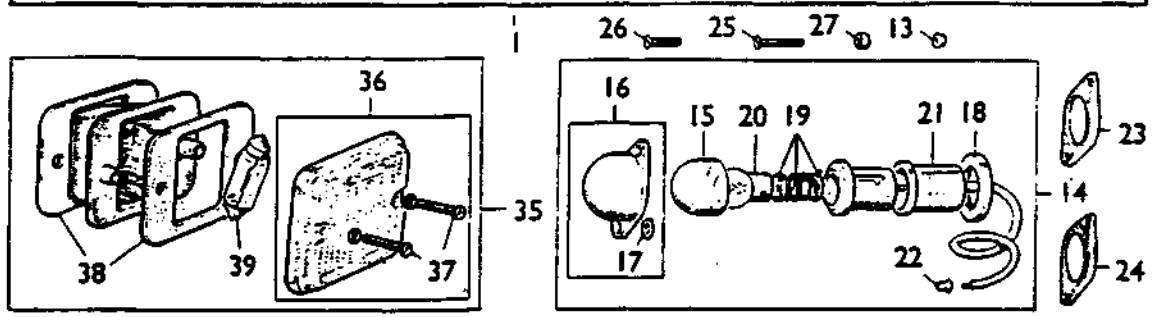
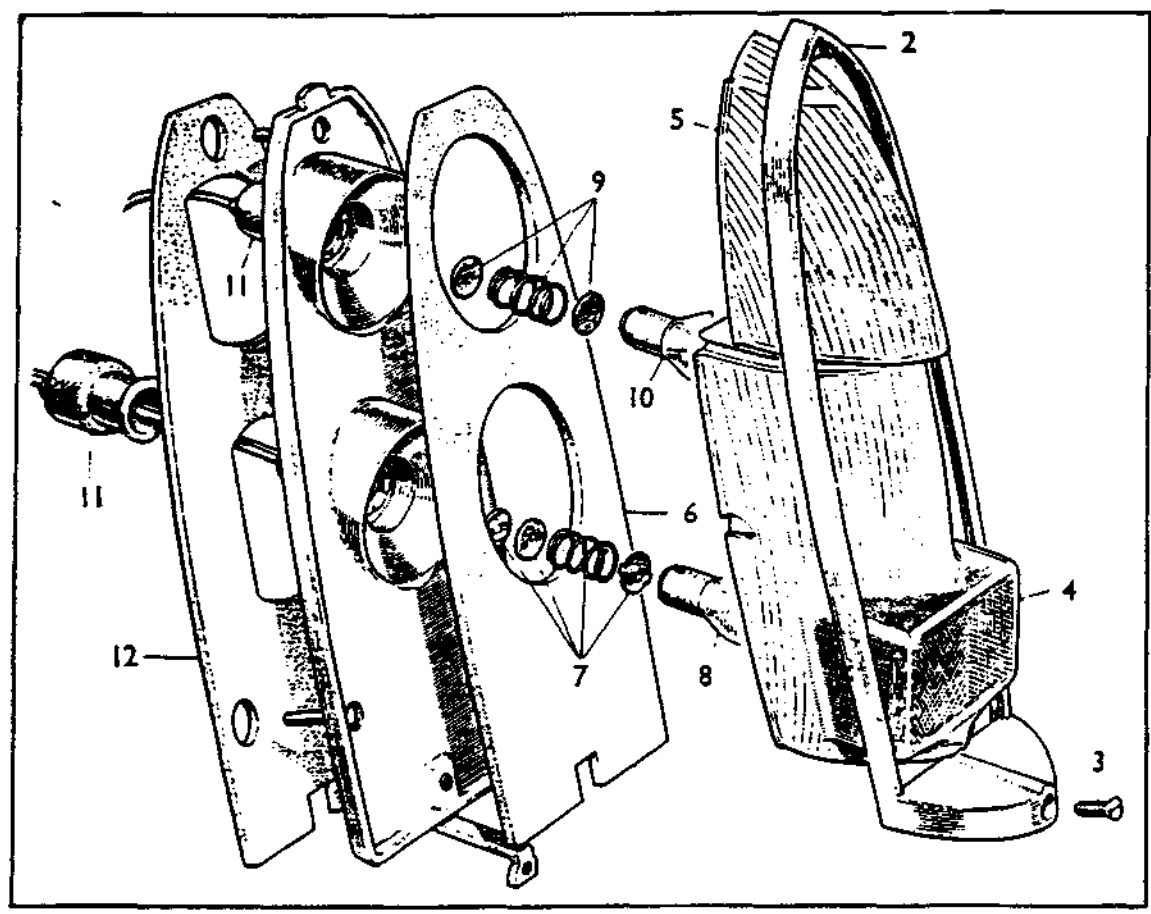
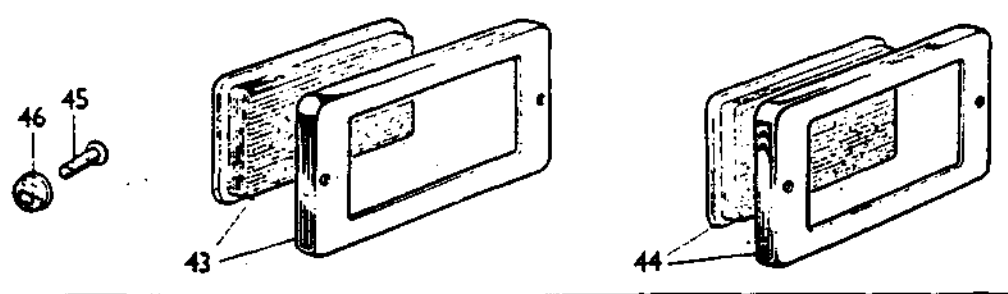


205

## LAMPS cont..

1.	Lamp assy-rear-amber flash....	BHA4175...2	
1.	Lamp assy-rear-red flash LHD..	BHA4176...2	
2.	Rim.....	57H5355...2	
3.	Screw.....	RMP0308...2	RMP308
	LENS		
4.	Stop/tail.....	57H5357...2	
5.	Flasher-amber.....	57H5354...2	
5.	Flasher-red.....	LHD..57H5359...2	
6.	Gasket-lens seating.....	57H5356...2	
7.	Int.-bulb holder-stop/tail....	37H5459...2	N.C.A.
8.	Bulb-stop/tail.....	BFS380...2	GLB380
9.	Int.-bulb holder-flasher.....	37H5452...2	
10.	Bulb-flasher.....	BFS382...2	GLB382
11.	Grommet-cable.....	37H5525...4	17H5216
12.	Gasket-lamp seating.....	57H5358...2	
13.	Fastener-Dotloc-lamp to body..	BHA4242...6	NH910011
	<u>WEST GERMANY.</u>		
1.	Lamp assy-rear-amber flasher..	BHA4488...2	N.L.A.
2.	Rim.....	57H5355...2	
3.	Screw.....	RMP0308...2	RMP308
4.	Lens-stop/tail.....	57H5357...2	
5.	Lens-flasher.....	57H5354...2	
6.	Gasket-lens seating.....	57H5356...2	
7.	Int.-bulb holder-stop/tail....	37H5459...2	N.C.A.
9.	Int.-bulb holder-flasher.....	37H5452...2	
	Bulb-flasher.....	N.L.S....2	
11.	Grommet-stop/tail lamp cable..	57H5496...2	17H5216
11.	Grommet-flasher lamp cable....	57H5465...2	N.L.A.
12.	Gasket-lamp seating.....	57H5358...2	
13.	Fastener-Dotloc-lamp to body..	BHA4242...6	NH910011

206



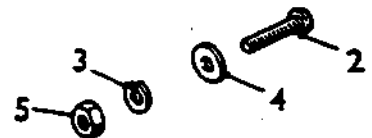
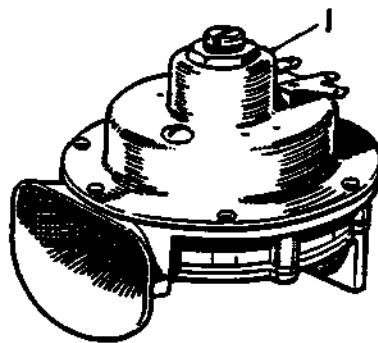
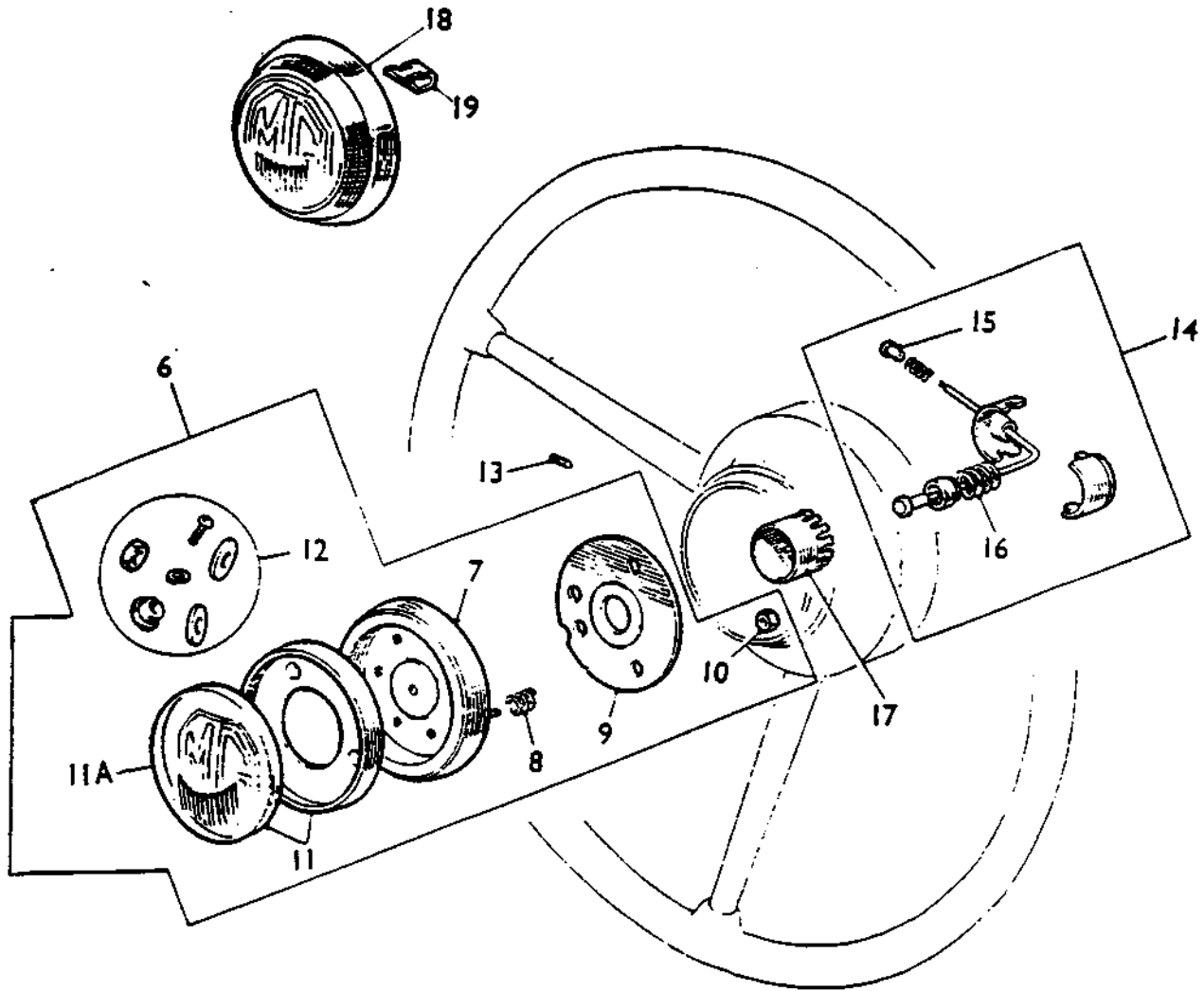


207

## ELECTRICAL EQUIPMENT

14.	Lamp Assy-number-plate.....	BHA4283..2	
15.	Glass.....	17H5301..2	606078A
16.	Cover Assembly.....	37H5426..2	
17.	Washer-screw retaining.....	21G9057..4	
18.	Gasket-lens seating.....	17H5302..2	
19.	Interior-bulb holder.....	37H5452..2	
20.	Bulb.....	BFS207...2	GLB207
21.	Grommet-cable.....	17H5216..2	
22.	Sleeve-terminal.....	27H6713..2	
23.	Plinth-number-plate lamp-RH...	AHH6398..1	
24.	Plinth-number-plate lamp-LH...	AHH6399..1	
25.	Screw.....	RMP0320..2	RMP320
26.	Screw.....	RMP0316..2	RMP316
27.	Nut.....	LNZ203...4	
16.	Cover assembly-map light.....	37H5426..1	GCD1-101 TO 1493 CANADA 101 ON EXCEPT N.AMERICA 101 USA ON, 1494 USA ON 101 USA ON, 3314 CANADA
17.	Washer-screw retaining.....	21G9057..2	
16.	Cover assembly-map light.....	AHH8886..1	
17.	Washer-screw retaining.....	21G9057..2	
15.	Glass-map light.....	17H5301..1	
18.	Gasket-seating.....	17H5302..1	
40.	Screw map light.....	RMP0310..2	RMP310
41.	Washer-spring.....	LWZ203...2	
42.	Nut.....	FNZ103...2	
28.	Lamp assembly-number plate....	BHA4494..2	W.GERMANY & JAPAN
29.	Cover.....	17H5158..2	
30.	Lens.....	7H5121...2	
30.	Lens.....	57H5128..2	
31.	Gasket-lens seating.....	57H5368..2	
	Bulb.....	NSP.....2	
32.	Sundry parts.....	7H5123...2	SETS
33.	Nut.....	AJD8052C.4	
34.	Nut-dome.....	6K9777...4	
35.	Lamp assembly-reverse.....	BHA4620..2	Correction 5620
36.	Lens assembly.....	37H1760..2	
37.	Screw.....	27H8811..4	
38.	Gasket-lens seating.....	37h1759..2	
39.	Bulb.....	BFS273...2	Part no change ;was 27H8814
35.	Lamp assembly-reverse.....	BHA4621..2	FRANCE
36.	Lens assembly.....	13H3400..2	
37.	Screw.....	27H8811..4	
38.	Gasket-lens seating.....	37H1759..2	
39.	Bulb.....	37H1547..2	FRANCE
43.	Reflector-reflex amber front bumper.....	13H4689..2	N AMERICA
44.	Reflector-reflex red rear bumper.....	BCA4568..2	
45.	Rivet.....	AHH8783..8	
46.	Push-on-flex.....	BHA4843..8	



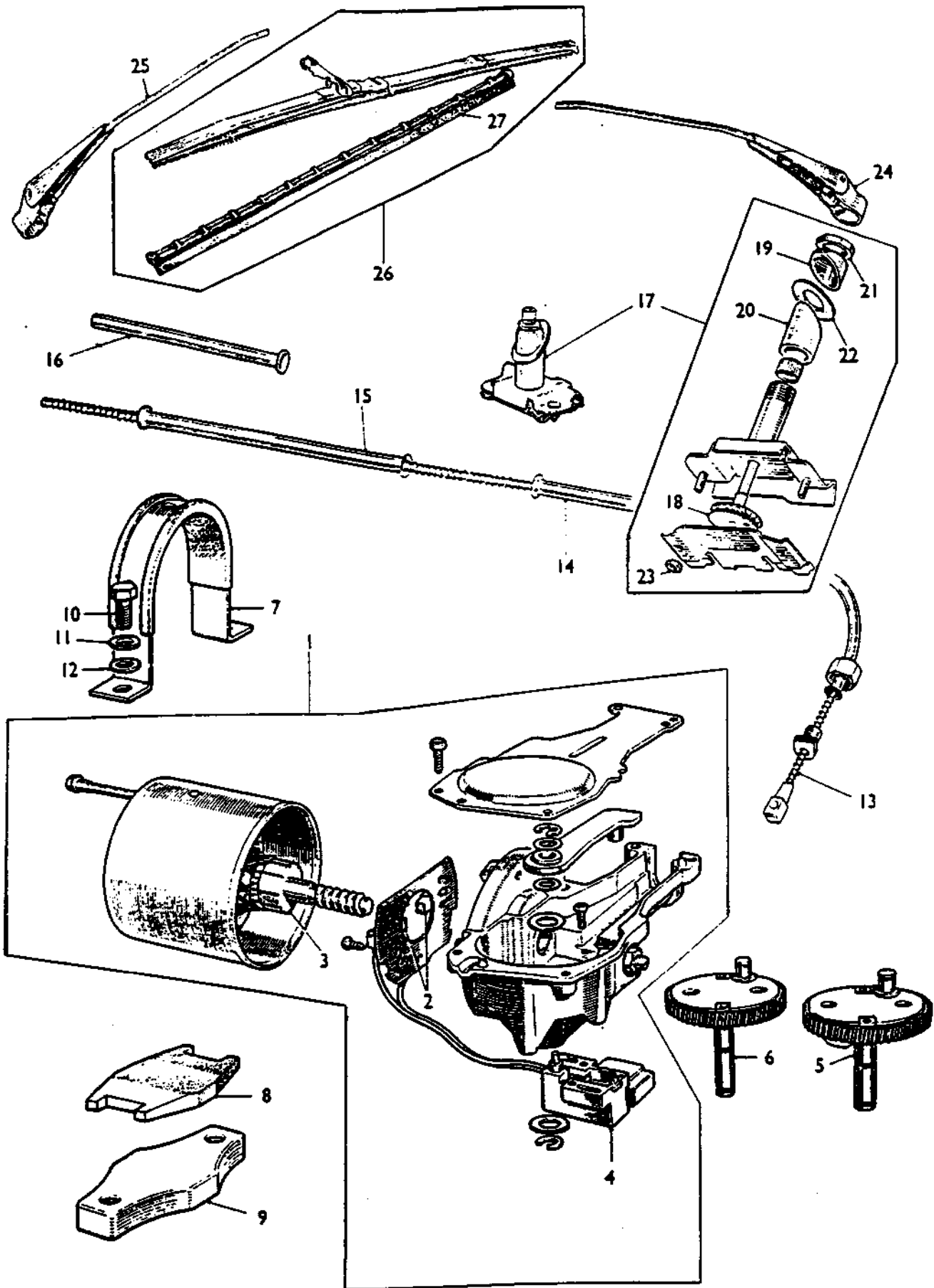


(209)

## ELECTRICAL EQPT CONT

## HORNS AND CONTROLS

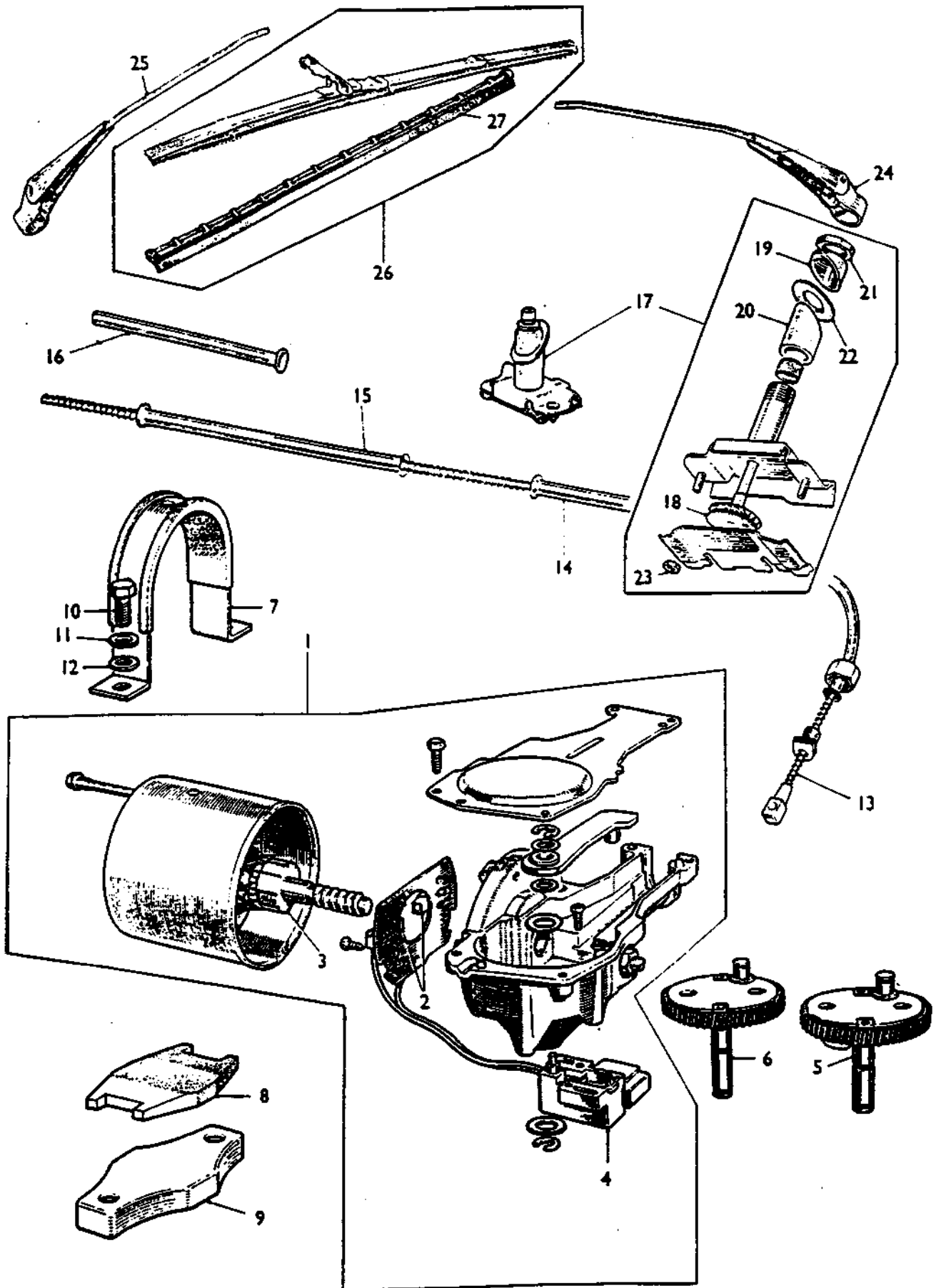
1.	Horns-high note.....	BHA4588..1	GGE103	
1.	Horn-low note.....	BHA4589..1	GGE104	
2.	Screw.....	HZS0405..4	SH604051	
3.	Washer-spring.....	LWZ204...4	GHF331	
4.	Washer-plain.....	PWZ204...4		
5.	Nut.....	FNZ104...4	GHF200	
6.	Horn-push assembly.....	AHH6319..1		
7.	Bezel[with upper contact.....	37H5579..1	N.L.A.	
	Spring.....	N.S.P....3		
	Plate-retaining & lower contact.....	N.S.P....1		
10.	Nut.....	27H5869..3	N.L.A.	GCD1-101 TO 1493 CANADA 101 ON EXCEPT N.AMERICA.
	Cover with motif.....	N.S.P....1		101 TO 3313 CANADA 101 ON EXCEPT N.AMERICA
12.	Sundry parts.....	37H5581..1	SET N.L.A.	
13.	Screw.....	53K2613..3	37H8572	
14.	Rotor assembly-horn contact [with cable].....	7H6903...1	N.C.A	OFFER 27H3387
15.	Contact.....	7H6904...1	N.L.A.	USE 7H6903 WITH 27H5401.
16.	Spring.....	7H6902...1	N.L.A.	
17.	Slip-ring.....	27H5401..1	N.C.A.	
18.	Motif-centre-steering wheel...	AHH8682..1		101 USA ON, 1494 CANADA ON.
19.	Clip-motif.....	57H5423..3	613766	



(211)

## WINDSCREEN WIPERS [TOURER]

1.	Motor-assembly-windscreen wiper[less gear].....	37H2732..1	GEU7708	
2.	Brush.....	37h2733..1	set 517644A	
3.	Armature.....	37H2735..1	37H8222	
4.	Switch-parking.....	37H2734..1	517645A	
5.	Gear-wiper motor.....	RHD.37H3045..1		
6.	Gear-wiper motor.....	LHD.37H3046..1	37H3045	
7.	Strap-wiper motor.....	BHA4790..1		
8.	Pad-wiper motor.....	13H4718..1	150844A	
9.	Pcking-wiper motor.....	AHH8766..1	N.C.A.	
10.	Screw.....	HZS0411..2	SH604111	
11.	Washer-spring.....	LWZ204..2	GHF331	
12.	Washer-plain.....	PWZ204..2		
13.	Cross-head & rack-84cm long...	37H5169..1	508182A	GCN1-101 TO 4265 U.S.A. 101 ON EXCEPT U.S.A. GCN1-4266 ON U.S.A.
13.	Cross-head & rack-94.08cm.....	37H5208..1		
14.	Motor to wheelbox.....	AHH8770..1	N.C.A.	
15.	Wheelbox to wheelbox.....	BHA4323..1	N.C.A.	GCN1-101 TO 4265 USA 101 ON EXCEPT USA
16.	Wheelbox extension.....	14G3722..1	N.C.A.	
17.	Wheelbox assembly.....	BHA4763..2/3	N.L.A.	
18.	Spindle & gear.....	27H2330..2/3		QUANTITY INCREASED FOR NORTH AMERICA
19.	Bush-front.....	BHA4312..2/3		
20.	Bush-rear.....	BHA4313..2/3	N.L.A.	
21.	Nut.....	FNZ103..2/3	GHF206	
22.	Washer [rubber].....	ADC560..2/3		
23.	Nut-cover.....	FNZ103..6	GHF206	
24.	Arm-wiper.....	RHD.BHA4814..2	37H4952	1-101 TO 6292
25.		LHD.BHA4816..2	BHA4396	1-101 TO 6292 101 TO 4265 EXCEPT U.S.A. GCN1-4266 TO 5151.
25.	LHD N.AMERICA.....	13H5460..3		
26.	Blade assembly-wiper.....	BHA4815..2/3	GWB219B	101 TO 6292,101 TO 5151 EXCEPT N.AMERICA
27.	Rubber.....	57H5311..2/3		
24.	Arm-wiper.....	RHD.BHA4914..2		GCN1 6293 ON
		LHD.BHA4915..2		..... ' ' .....
25.	LHD N.AMERICA.....	BHA4913..3	BHA4914	GCN1 5152 ON
26.	Blade assembly wiper.....	BHA4912..2/3	GWB141B	6293, 5152 ON
27.	Rubber.....	37H4444..2/3		

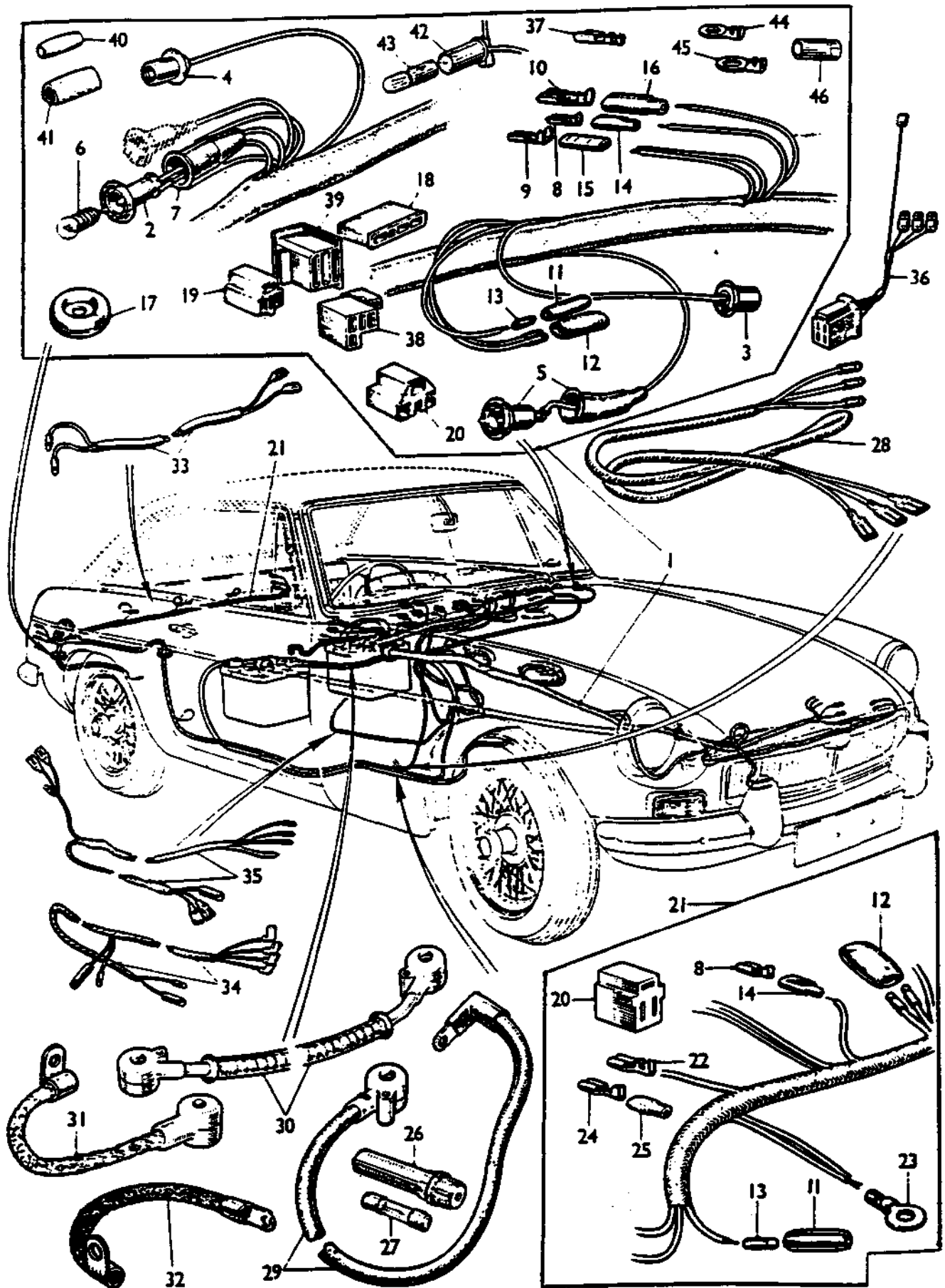


213

## WINDSCREEN WIPERS [GT]

1.	Motor assembly-windscreen wiper less gear.....	37H2732..1	GEU7708	
2.	Brush.....	27H2733..1SET	517644A	
3.	Armature.....	37H2735..1	37H8222	
4.	Switch-parking.....	37H2734..1	517645A	
	GEAR WIPER MOTOR			
5.		RHD..37H3047..1	37H3048	GCD101.4235
6.		LHD..37H3048..1		GCN101.4265
5.		RHD..37H4308..1	37H4309	GCD1-4236 ON
6.		LHD..37H4309..1		GCN1-4266 ON
7.	Strap-wiper motor.....	BHA4790..1		
8.	Pad-wiper motor.....	13H4718..1	150844A	
9.	Packing-wiper motor.....	AHH8766..1	N.C.A.	
10.	Screw.....	HZS0411..2	SH604111	
11.	Washer-spring.....	LWZ204..2	GHF331	
12.	Washer-plain.....	PWZ204..2		
13.	Cross-head rack.....	37H5169..1	508182A	
	CASING			
14.	Motor to wheelbox.....	AHH8771..1	N.C.A.	
15.	Wheelbox to wheelbox.....	AHH7471..1	N.C.A.	
16.	Wheelbox extension.....	14G3722..1	N.C.A.	
17.	WHEELBOX ASSEMBLY.....	BHA4529..2		AAU1073
18.	Spindle & gear.....	27H6425..2	N.L.A.	
19.	Bush-front.....	AHH7431..2		
20.	Bush-rear.....	AHH7432..2	N.L.A.	
21.	Nut.....	17H8769..2		
22.	Washer[rubber].....	27H6428..2		
23.	Nut-cover.....	FNZ103..4	GHF206	
	ARM-WIPER			
24.		RHD..BHA4817..2	BHA4546	GCD101 TO 4235
25.		LHD..BHA4819..2		GCN TO 4265
		RHD..BHA4881..2		GCD1-4236 ON.
		LHD..BHA4880..2		GCN1-4266 ON.
26.	Blade assembly-wiper.....	BHA4818..2	GWB142B	GCD101 TO 4235
27.	Rubber.....	17H2473..2	N.L.A.	GCN 4265
26.	Blade assembly-wiper.....	BHA4879..2	GWB144B	GCD1-4236 ON
27.	Rubber.....	37H4162..2	N.L.A.	GCN1-4266 ON

214

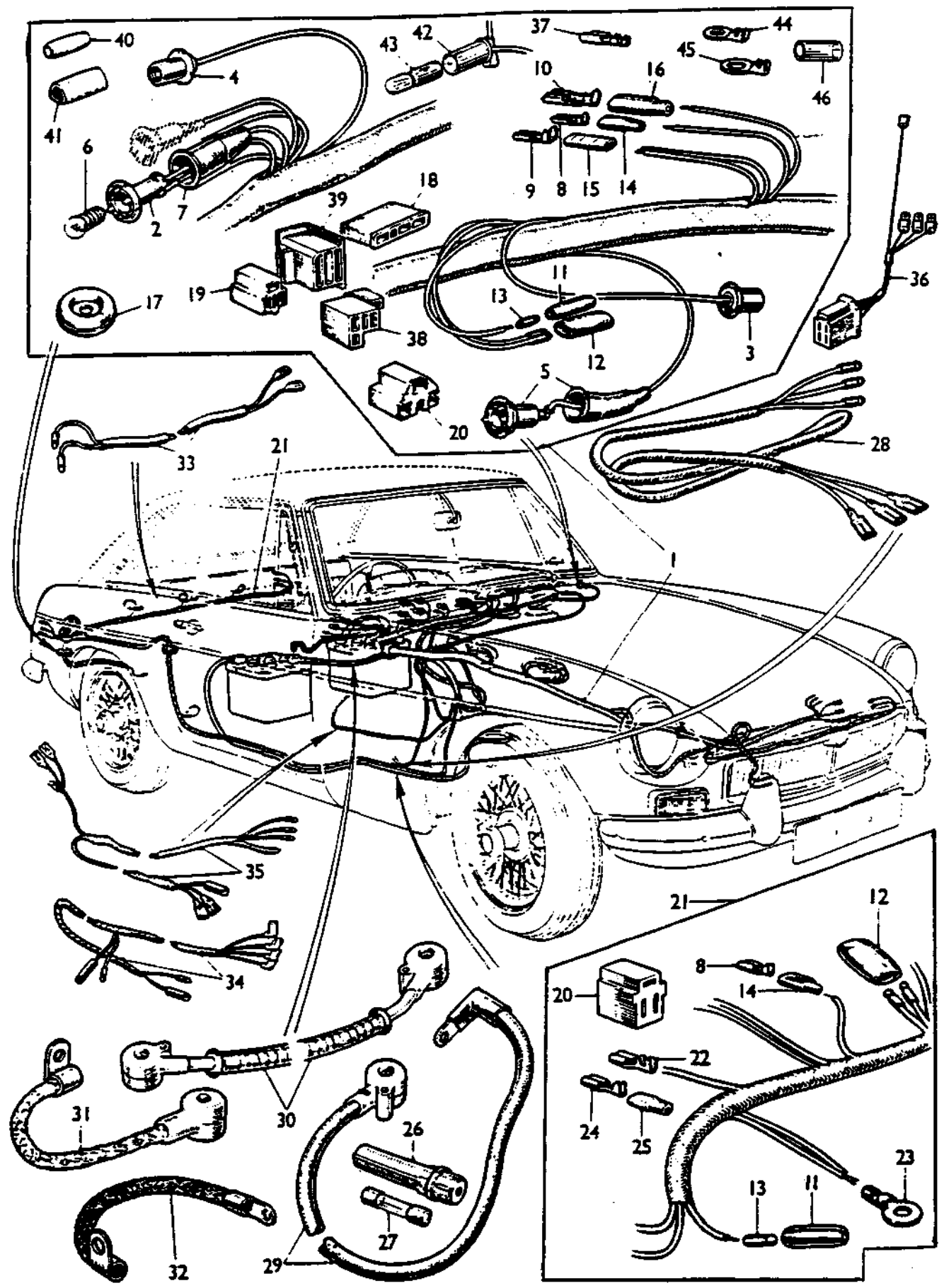








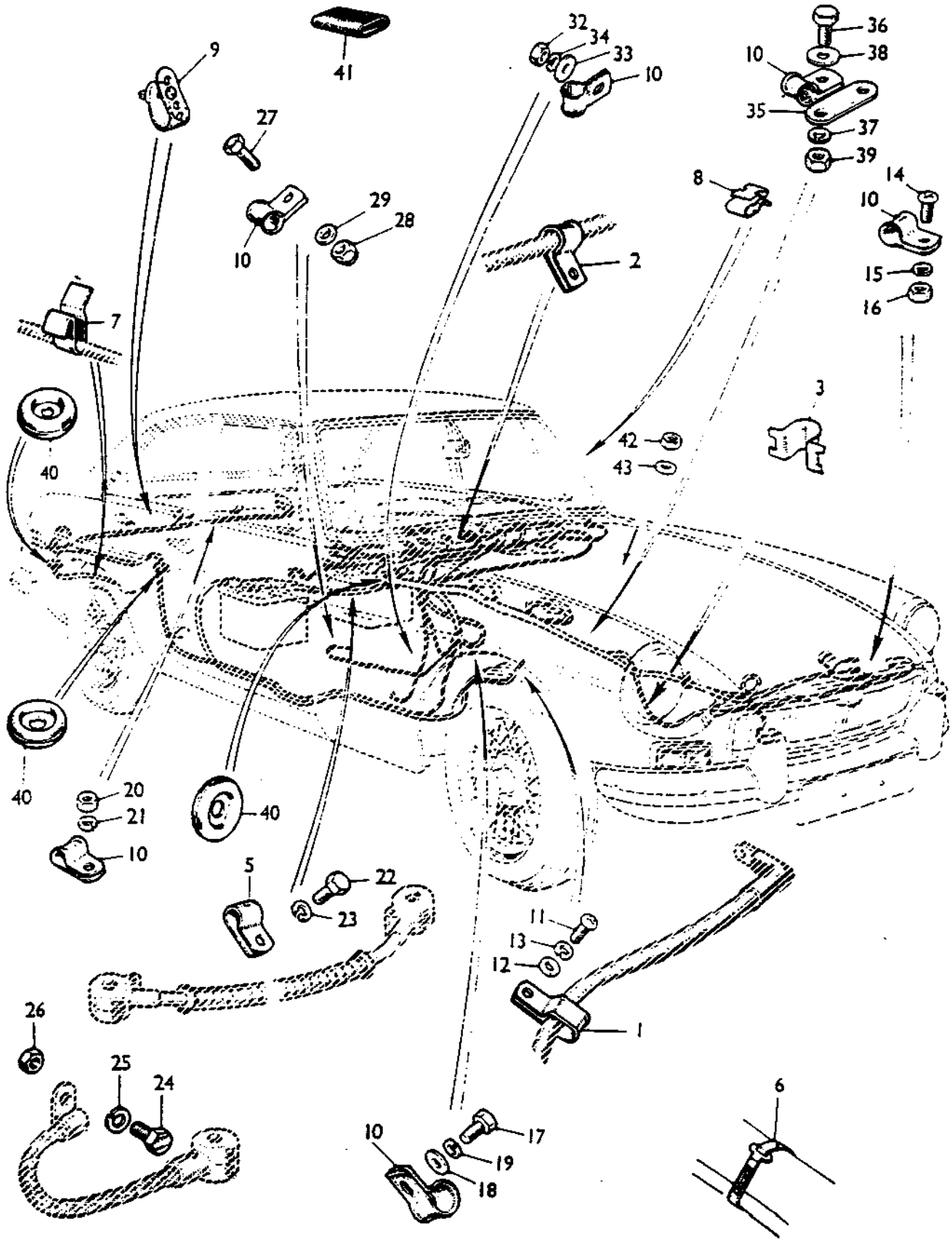
226



217

20.	Plug-3way-6amp.....	BHA4319..A/R	N.L.A.	
11.	Connector-snap-single.....	2H3406...A/R		
12.	Connector-snap-double.....	2H2617...A/R	RTC603A	
13.	Nipple.....	2H2704...A/R	003632	
23.	Eyelet-1/4[6.35mm].....	2H466...A/R	N.L.A.	
24.	Connector-lucar-6amp.....	37H2256..A/R	N.L.A.	
25.	Sleeve-connector.....	37H3684..A.R	N.L.A.	
26.	Holder-fuse-in line side & and tail lights.....	27H3588..2		
27.	Fuse 10 amp.....	NORTH.....27H5903..2	GFS3010	GOD1-101 USA ON 1494 CANADA ON
28.	Connector snap....	AMERICA.....2H3406...2		GCN1-101 USA ON
13.	Nipple cable.....	2H2704...4	003632	3314 CANADA ON
26.	Holder-fuse-in line heated rear window.....	27H3588..1		
27.	Fuse 25amp.....	GT..2H4755...1	GFS3025	
8.	Connector-socket-single.....	47H5496..1	RTC220A	
14.	Sleeve-connector.....	5L286...1	511269	
28.	Cable-dip switch harness.....	AHC141...1		Available LHD NA & EU spec
29.	Cable-battery positive to solenoid.....	AHC749...1	N.L.A.	
30.	Cable-battery link.....	BHA4348..1	N.L.A.	
31.	Cable-battery negative to earth.....	AHH8793..1	5L924	
32.	Cable-engine to earth.....	AHC448...1	Available	
33.	Cable-reverse switch.....	AHC257...1	Available	
34.	Cable-reverse and ignition inhibitor switch....	AUTOMATIC.AHC259...1	Available	
35.	Cable- overdrive harness-engine.....	AHC258...1		
36.	Cable-wiper motor harness..	GT.AHH7936..1	N.L.A.	

218

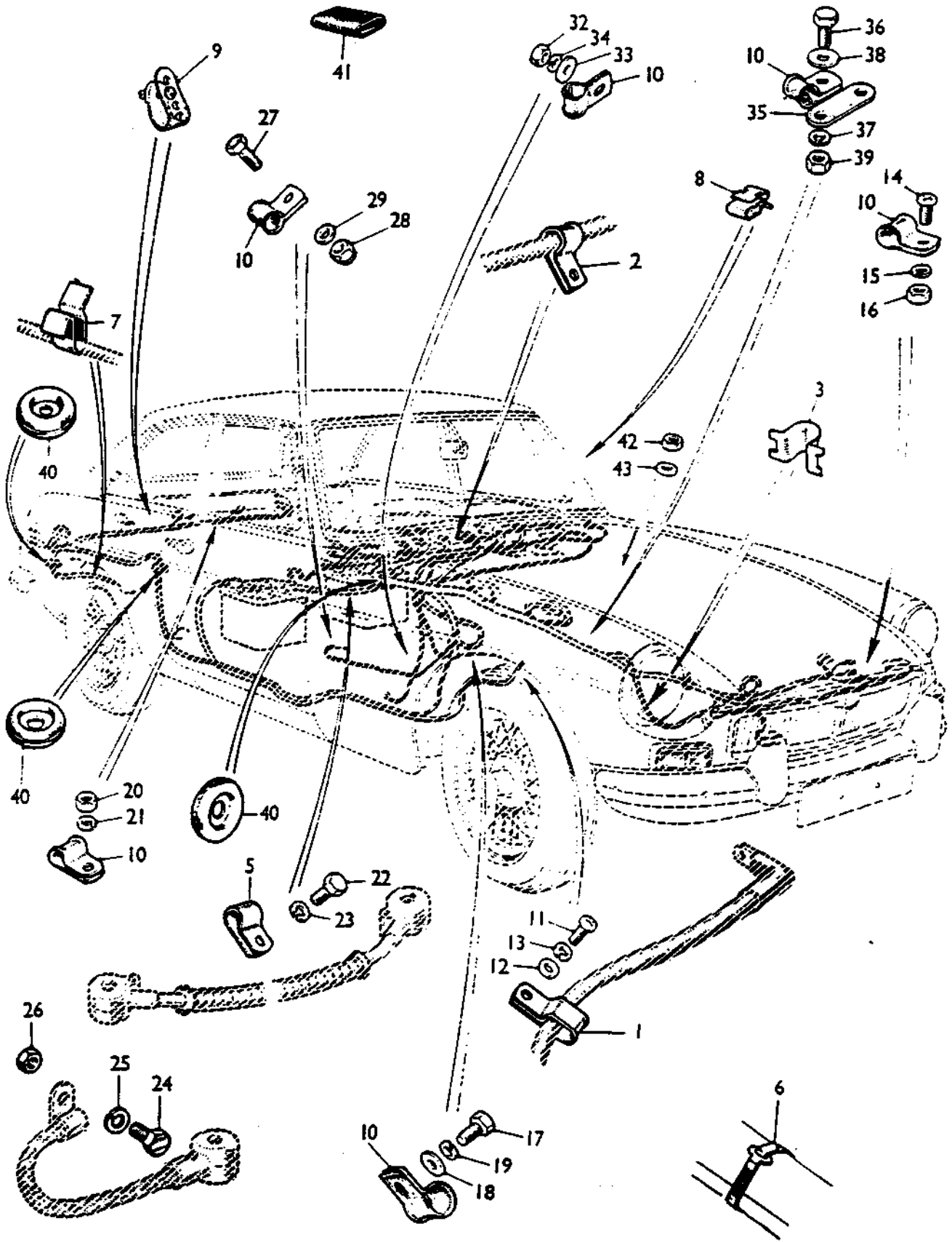


(219)

## WIRING CABLES, CONNECTIONS, AND BULB HOLDERS- continued

1.	Clip-starter cable.....AHC156...2	N.L.A	
2.	Clip-main harness to dash.RHD.AHH8155..1	N.L.A	
3.	Clip-harness to wheel arch....AHC174..A/R	N.L.A	
5.	Clip-battery link cable.....AHH6354..1	N.L.A	
6.	Clip-indicator switch lead....AHH7108..1	N.L.A	
6.	Clip-main harness.....AHH6728.A/R	2K6640	
7.	Clip-tank unit lead to tank...BHA4130..3	BMK385	
8.	Clip-roof lamp harness...GT...BHA4594..2	BMK385	
9.	Clip-number plate lamp cable..BHA4225..2	N.L.A	JAPAN & GERMANY
10.	Clip-stoplamp switch lead to brake pipe...N.AMERICA.....BHA4130..2	BMK385	G-CD1-101 USA 1494 CANADA ON G-QN1-101 USA 3314 CANADA ON
10.	P.Clip-cable 3/16"x7/32".....PCR307..A/R		
	P.Clip-cable 1/4"x9/32".....PCR409..A/R		
	P.Clip-cable 1/4"x11/32".....PCR411..A/R		
	P.Clip-cable 5/16"x9/32".....PCR509..A/R		
	P.Clip-cable 3/8"x7/32".....PCR607..A/R		
	P.Clip-cable 3/8"x9/32".....PCR609..A/R		
	P.Clip-cable 7/16"x11/32".....PCR711..A/R		
	P.Clip-cable 1/2"x7/32".....PCR807..A/R		
	P.Clip-cable 1/2"x9/32".....PCR809..A/R		
	P.Clip-cable 5/8"x7/32".....PCR1007.A/R		
	P.Clip-cable 5/8"x9/32".....PCR1009.A/R		
	P.Clip-cable 3/4"x5/16".....PCR1207.A/R		
	P.Clip-cable 3/4"x9/32".....PCR1209.A/R		
	P.Clip-cable 7/8"x7/32".....PCR1407.A/R		
	P.Clip-cable 7/8"x9/32".....PCR1409.A/R		
11.	Screw-starter cable to RH wheel arch.....PMZ308...1		
12.	Washer-plain.....PWZ203...1		
13.	Washer-spring.....LWZ203...1	WL700101	
14.	Screw-clip to bonnet lock panel.....PMZ307...2		
15.	Washer-spring.....LWZ203...2	WL700101	
16.	Nut.....FNZ103...2	GHF206	
17.	Screw-harness clip to w/arch..HZA0404..1	SH604041	
18.	Washer-plain.....PWZ204...1		
19.	Washer-spring.....LWZ204...1	GHF331	
20.	Nut-clip-tail lamp cable.....FNZ103...2	GHF206	
21.	Washer-spring.....LWZ203...2	WL700101	
22.	Screw-battery link clip.....HZA0404..1	SH604041	
23.	Washer-spring.....LWZ204...1	GHF331	
24.	Screw-battery cable to earth..HZA0504..1	SH605041	
25.	Washer-spring.....LWZ205...1	GHF332	
26.	Nut.....FNZ105...1	GHF201	
27.	Screw-clip to rear bearing housing bracket..HZA0406..1	SH604061	
28.	Nut-lock.....LNZ204...1	GHF221	
29.	Washer-plain.....PWZ104...1	GHF300	
32.	Nut-clip to bracket on bell housing.....ANZ103...1	N.L.A	
33.	Washer-plain.....PWZ203...1		
34.	Washer-spring.....LWZ203...1	WL700101	

220

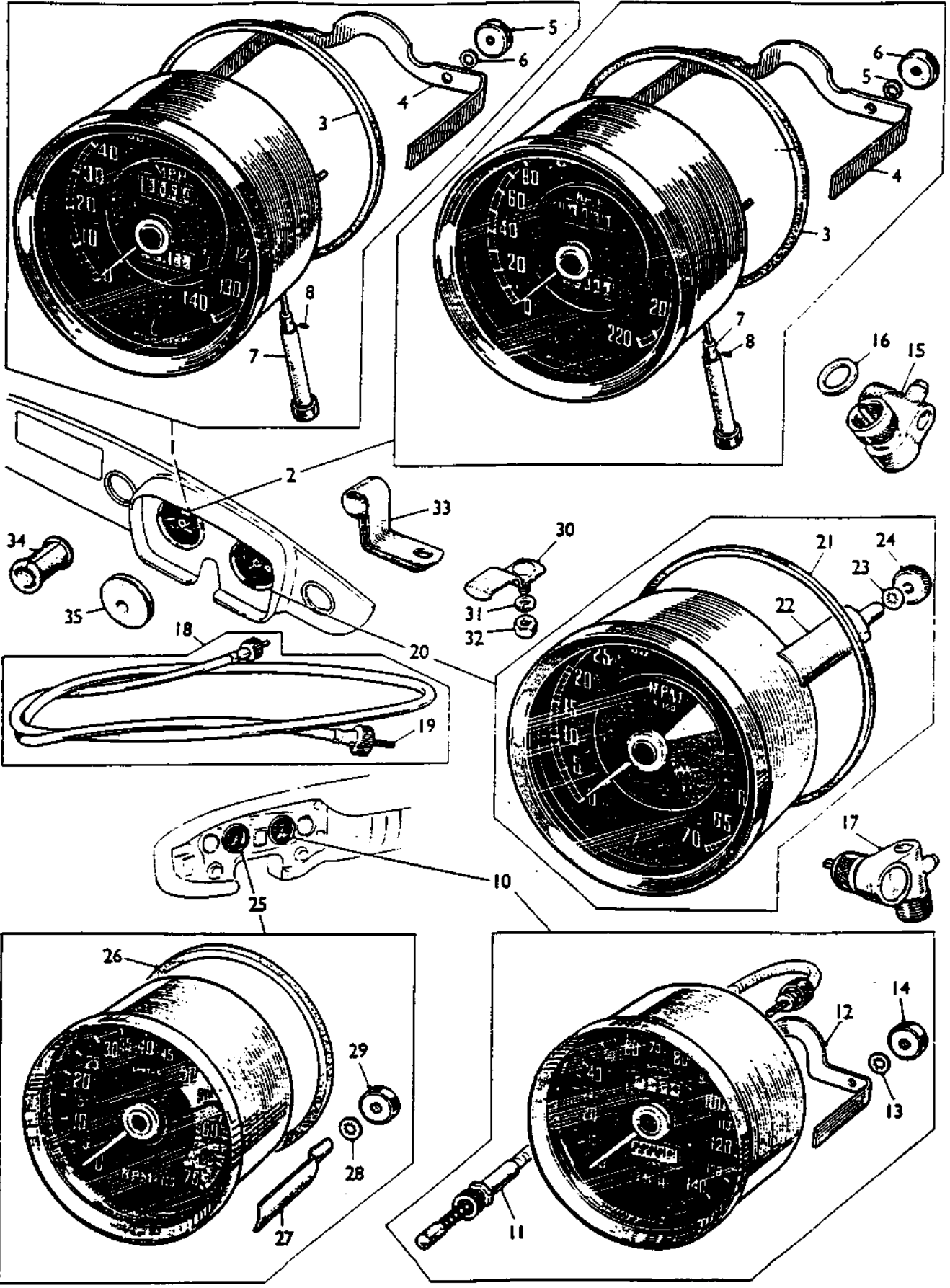


(221)

35.	Retainer-clip to starter solenoid.....	AHH5802...1	N.L.A	
36.	Screw.....	HZS0404...1	SH604041	
37.	Washer-spring.....	LWZ204...1	GHF331	
38.	Washer-plain.....	PWZ204...1		
39.	Nut.....	FNZ104...1	GHF200	
40.	Grommet.....	RFN306..A/R	N.L.A	
	Grommet.....	RFN303..A/R		
	Grommet.....	RFN503..A/R	RFR503	
41.	Sleeve-cable clip (palstic)...	5L64.....6	N.L.A	
42.	Nut-clip to steering column mounting bracket.....	USA....ANZ103...1	N.L.A	G-CD1-101 to 4235 USA 1494 to 4235 CANADA G-CNI-101 to 4265 USA 3314 to 4265 CANADA
43.	Washer -spring.....	LWZ203...1	WL700101	
	Screw-harness to reinforcement- gearbox cover to dash.NORTH...	FMZ306...1		G-CD1-101 USA, 1494 CANADA on.
	Washer-spring.....	AMERICA.LWZ203...1	WL700101	
	Nut.....	FNZ103...1	GHF206	G-CNI-101 USA, 3314 CANADA on.



222



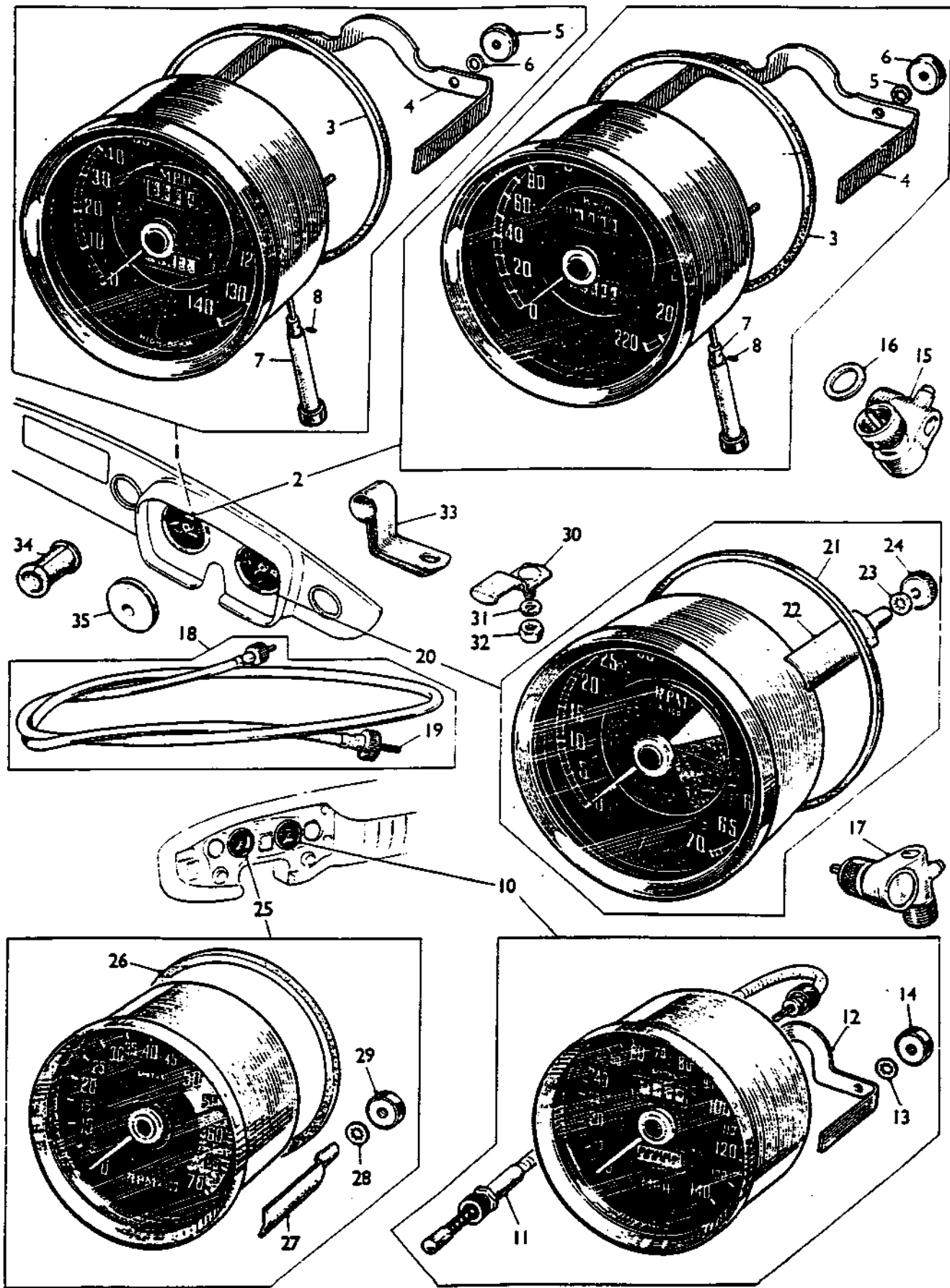
223

## INSTRUMENTS

1.	Speedometer assembly MPH (SN6144/10) EXCEPT USA....BHA4598..1 KPH (SN6144/11) & GERMANY.....BHA4599..1	BHA4598E BHA4599E	G-CD1-101 to 1493 CANADA, 101 to 4235 OVER- DRIVE, 101 on STANDARD & AUTO G-CN1-101 to 3313 CANADA, 101 to 4265 OVER- DRIVE, 101 on STANDARD & AUTO
2.	Speedometer assembly KPH (SN6144/12)....GERMANY....BHA4600..1	BHA4600E	G-CD1-101 to 4235 OVERDRIVE, 101 on STANDARD & AUTOMATIC. G-CN1-101 to 4265 OVERDRIVE, 101 on STANDARD & AUTOMATIC.
1.	Speedometer assembly MPH (SN6144/31).....BHA4864..1	BHA4864E	OVERDRIVE
2.	Speedometer assembly KPH (SN6144/32).NOT N.AMERICA.BHA4865..1 KPH (SN5227/19).NORTH AMERICA.37H4181..1	BHA4865E 37H4181E	G-CD1-4236 on G-CN1-4266 on
3.	Ring rubber sealing.....AJH5178..1		
4.	Strap-fixxing.....AJH5176..1	N.L.A	
5.	Washer-shakeproof.....2K1369...2	N.L.A	
6.	Nut-thumb.....17H1304..2	N.L.A	
7.	Stem-trip.....37H640...1	N.L.A	
8.	Dowel.....17H3745..1	N.L.A	
10.	Speedometer assembly MPH (SN5226/00).NORTH AMERICA.BHA4693..1 MPH (SN5226/02) NORTH AMERICA FOR GERMANY...BHA4694..1	BHA4693E BHA4694E	G-CD1-101 to 4235 USA, 1494 to 4235 CANADA G-CN1-101 to 4265 USA, 3314 to 4265 CANADA
	MPH (SN5227/02).NORTH AMERICA.37H3764..1	37H3764E	G-CD1-4236 on G-CN1-4266 on
11.	Control-remote.....BHA4772..1		
12.	Clamp-fixxing.....17H3744..2	N.L.A	
13.	Washer-shakeproof.....2K1369...2	N.L.A	
14.	Nut-thumb.....17H1304..2	N.L.A	
15.	Box-angle drive-gearbox.....1H3131...1	120694	
16.	Washer-angle drive-gearbox....3H550....1		OVERDRIVE
15.	Box-angle drive-gearbox.....13H2567..1	120694	
17.	Box-angle drive-gearbox NORTH AMERICA.....BHA4794..1	N.L.A	G-CD1-101 USA, 1494 CANADA on G-CN1-101 USA, 3314 CANADA on
18.	Speedometer cable assembly (3'3"long).....BHA4595..1	GSD249	STANDARD RHD
19.	Cable inner.....27H5926..1	GSD249	
18.	Speedometer cable assembly (4'8"long).....2A9039...1	GSD115	OVERDRIVE RHD
19.	Cable inner.....17H689...1	GSD115	

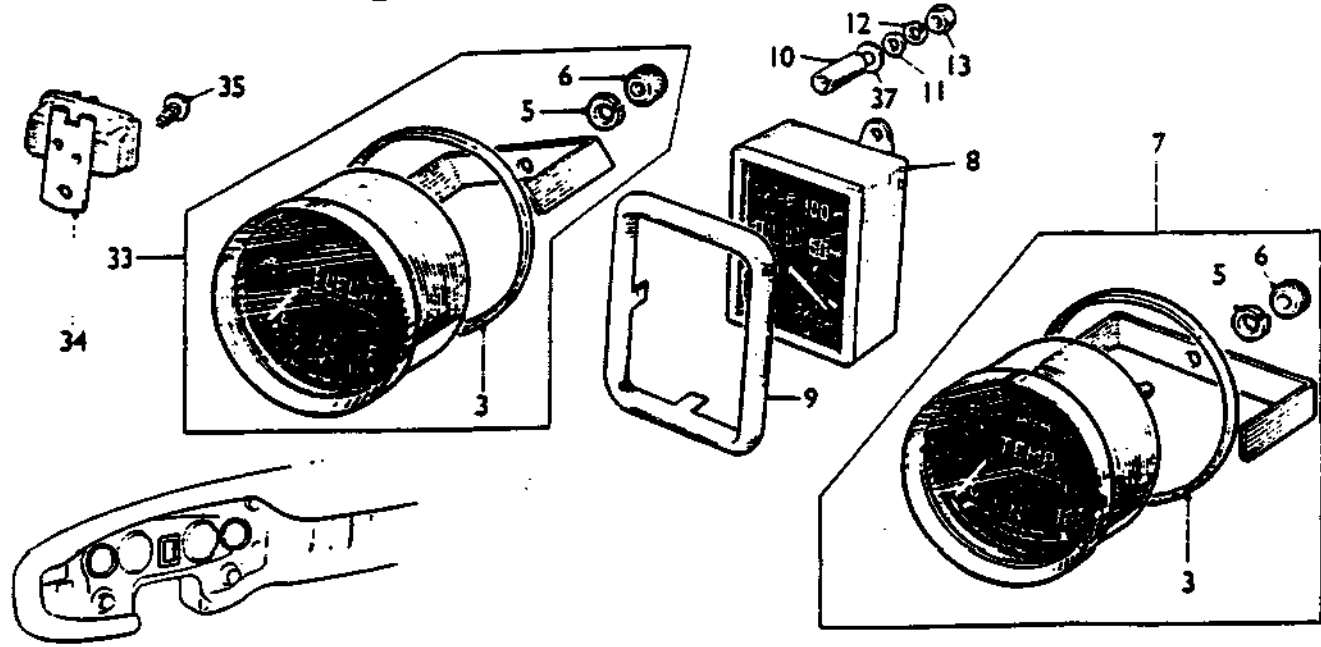
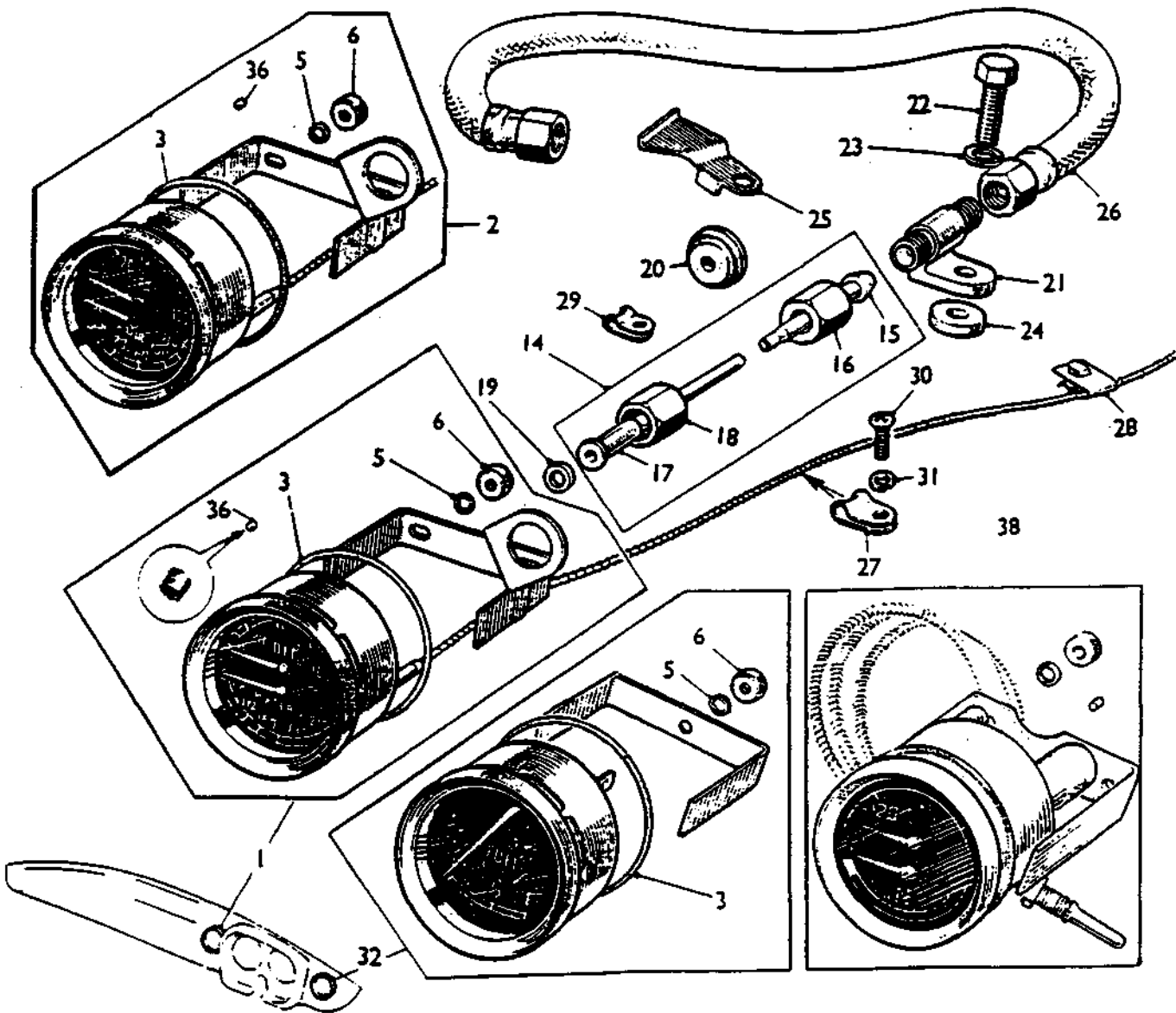


224



225

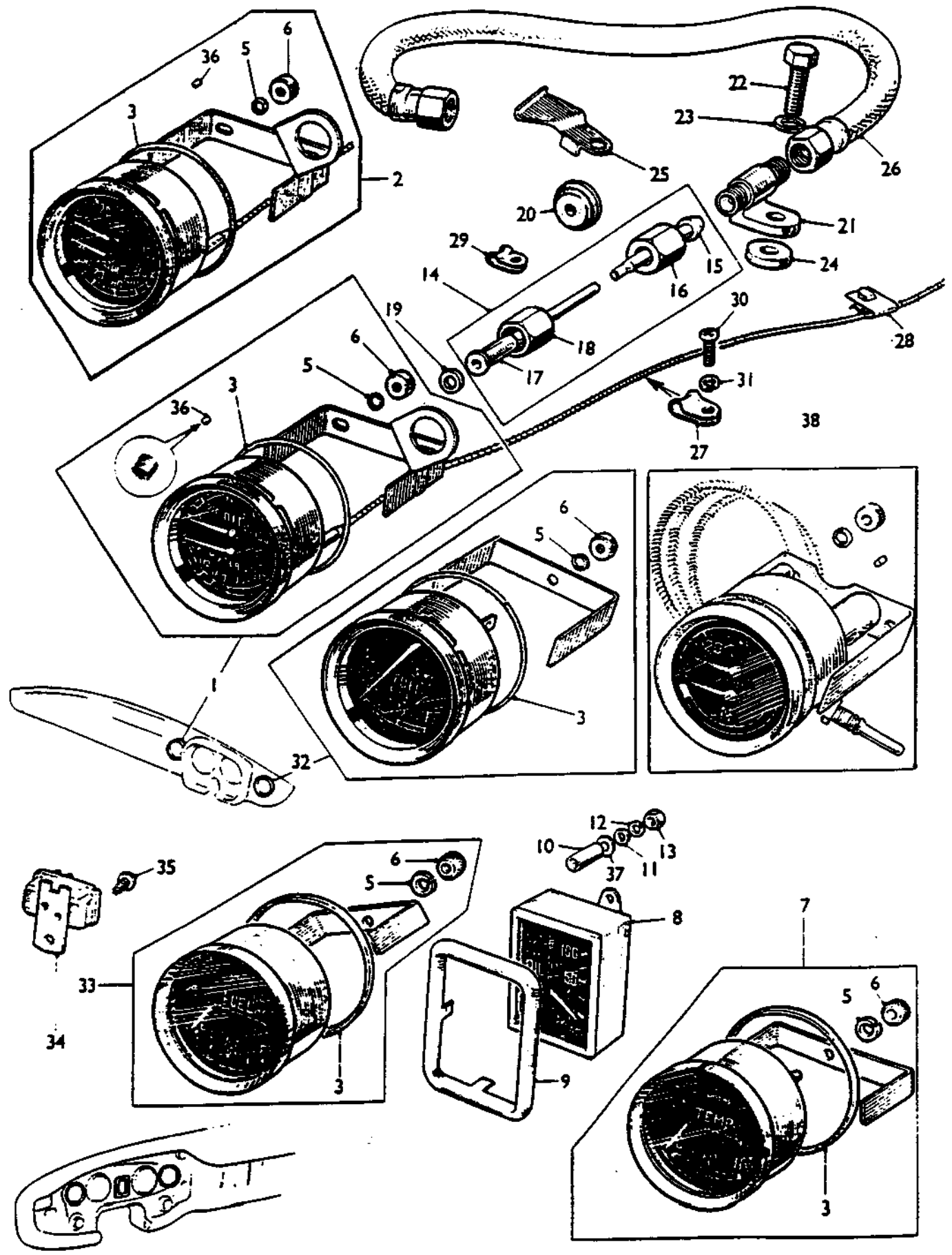
18.	Speedometer cable assembly (3'9"long).....	1H9072....1	GSD103	AUTOMATIC RHD
19.	Cable inner.....	17H961....1	GSD103	
18.	Speedometer cable assembly (4'2"long).NOT USA...BHA4596...1		GSD113	STANDARD LHD
19.	Cable inner.....	27H8273...1	GSD113	
18.	Speedometer cable assembly (5'6"long).NOT USA...1B9138....1		GSD114	OVERDRIVE LHD
19.	Cable inner.....	17H756....1	GSD114	
18.	Speedometer cable assembly (4'8"long).NOT USA...2A9039....1		GSD115	AUTOMATIC LHD
19.	Cable inner.....	17H689....1		
				G-CD1-101 to 1493 CANADA. 101 on EXCEPT NORTH AMERICA. G-CN1-101 to 3313 CANADA. 101 on EXCEPT NORTH AMERICA.
18.	Speedometer cable assembly (4'6"long).N.AMERICA.1H9047....1		GSD104	STANDARD LHD
19.	Cable inner.....	17H843....1	GSD104	
18.	Speedometer cable assembly (6'0"long).N.AMERICA.1B9119....1		GSD151	OVERDRIVE LHD
19.	Cable inner.....	17H810....1	GSD151	
18.	Speedometer cable assembly (5'0"long).N.AMERICA.1H9048....1		GSD117	AUTOMATIC LHD
19.	Cable inner.....	17H697....1	GSD117	
				G-CD1-101 USA 1494 CANADA or G-CN1-101 USA 3314 CANADA or
20.	Tachometer assembly (RV1612/00).....	37H4322...1	BHA4713E	G-CD1-101 to 1493 CANADA, 101 on EXCEPT NORTH AMERICA. G-CN1-101 to 3313 CANADA, 101 on EXCEPT NORTH AMERICA.
21.	Ring-rubber sealing.....	AJH5178...1		
22.	Strap-fixing.....	17H3744...2	N.L.A	
23.	Washer-shakeproof.....	LWZ402...2	N.L.A	
24.	Nut-thumb.....	17H1304...2	N.L.A	
25.	Tachometer assembly (RV1612/00).....	37H4319...1	BHA4695E	G-CD1-101 USA, 1494 CANADA or G-CN1-101 USA, 3314 CANADA or
26.	Ring rubber sealing.....	17H2105...1		
27.	Strap-fixing.....USA...17H1339...2		N.L.A	
28.	Washer-shakeproof.....	2K1369...2	N.L.A	
29.	Nut-thumb.....	17H1304...2		
30.	Clip-speedo cable to heatshield.....	AHC316....1	N.L.A	
31.	Waher-spring.....	LWZ203....1	WL700101	
32.	Nut.....	ANZ103....1	N.L.A	
33.	Clip-speedo cable.....	AHC580....1	N.L.A	WHEN OVERDRIVE FITTED.
34.	Ferrule-speedo cable cup.....	ACH8529...1	N.L.A	
35.	Grommet-speedo cable.....	RFN405....1	RFR405	



227

## INSTRUMENTS-continued

1.	Gauge assembly-oil pressure and temperature-fahrenheit....	BHA4737...1	TUDOR	G-CD1-101 to 1493 CANADA.
	Exchange reconditioned.....	BHA4737E..1		101 to 4125
2.	Gauge assembly-oil pressure and temperature-centigrade....	BHA4764...1	N.L.A	NOT N.AMERICA.
	Exchange reconditioned.....	BHA4764E..1		G-CN1-101 TO
36.	Restrictor.....	27H7877...1	N.L.A	3133 CANADA.
3.	Ring-rubber-sealing.EXCEPT....	AJH5184...1	17H1642	101 to 4125
4.	Strap-fixing.....	NORTH.....N.S.P.....1		NOT N.AMERICA.
5.	Washer-spring.....	AMERICA...LWZ302....2	N.L.A	
6.	Nut-thumb.....	17H932....2	N.L.A	
	Gauge assembly -oil pressure and temperature C.N.H.....	BHA4900...1	TUDOR	G-CD1-,GON1-
	Exchange reconditioned.....	BHA4900E..1		4126 on.
7.	Gauge assembly- temperature (electrical).....	BHA4686...1	BHA4686E	G-CD1-101 USA,
3.	Ring-rubber-sealing.....	AJH5184...1	17H1642	1494 CANADA on.
5.	Washer-spring.....	LWZ302....1	N.L.A	G-CN1-101 USA,
6.	Nut-thumb.....	17H932....1	N.L.A	3314 CANADA on.
8.	Gauge-oil pressure..	NORTH....BHA4687...1	BHA4687E	
9.	Bezel-oil gauge.....	AMERICA...AHH8922...1	N.L.A	
10.	Tube-distance-oil gauge.....	AHH8772...2	N.L.A	
11.	Washer-plain.....	PWZ102....2	N.L.A	
37.	Washer-plain.....	PWZ202....4		
12.	Washer-spring.....	LWZ202....2	WL700061	
13.	Nut.....	CNZ102....2	NH806011	
14.	Pipe assembly-gauge to flexible pipe.....	AHH6678...1		
15.	Nipple.....	ACA5422...1		
16.	Nut.....	ACA5421...1		
17.	Union.....	51K2824...1	N.L.A	
18.	Nut.....	11B2037...1	N.L.A	
19.	Washer-pipe to gauge-leather..	2K4936...1		
20.	Ferrule-ring.....	AAA643...1	N.L.A	G-CD1,G-CN1 to 2590 EXCEPT USA 101 on USA.
20.	Ferrule-ring.....	AHC805...1		3314 on CANADA. G-CD1,G-CN1 2591 to 3313 CANADA,2591 on NOT N.AMERICA.
21.	Connector-pipe.....	AAA628...1		
22.	Screw.....	HZS408...1	GHF101	
23.	Washer-spring.....	LWZ204...1	GHF331	
24.	Spacer-screw.....	AHH6247...1	N.L.A	
25.	Bracket-retaining-pipe.....	AHH6938...1	N.L.A	
26.	Pipe-flexible.....	AHH6554...1		
27.	P.Clip-tube to bulkhead.....	PCR309...1		
27.	P.Clip-tube to bulkhead.....	PCR307...1		
28.	P.Clip-tube to rocker cover...	11G2013...1	1G9529	
29.	P.Clip-oil pipe to bulkhead...	PCR207...1	PCR307	
30.	Screw-pipe to bulkhead.....	FMZ307...1		
31.	Washer-spring.....	LWZ203...1	WL700101	

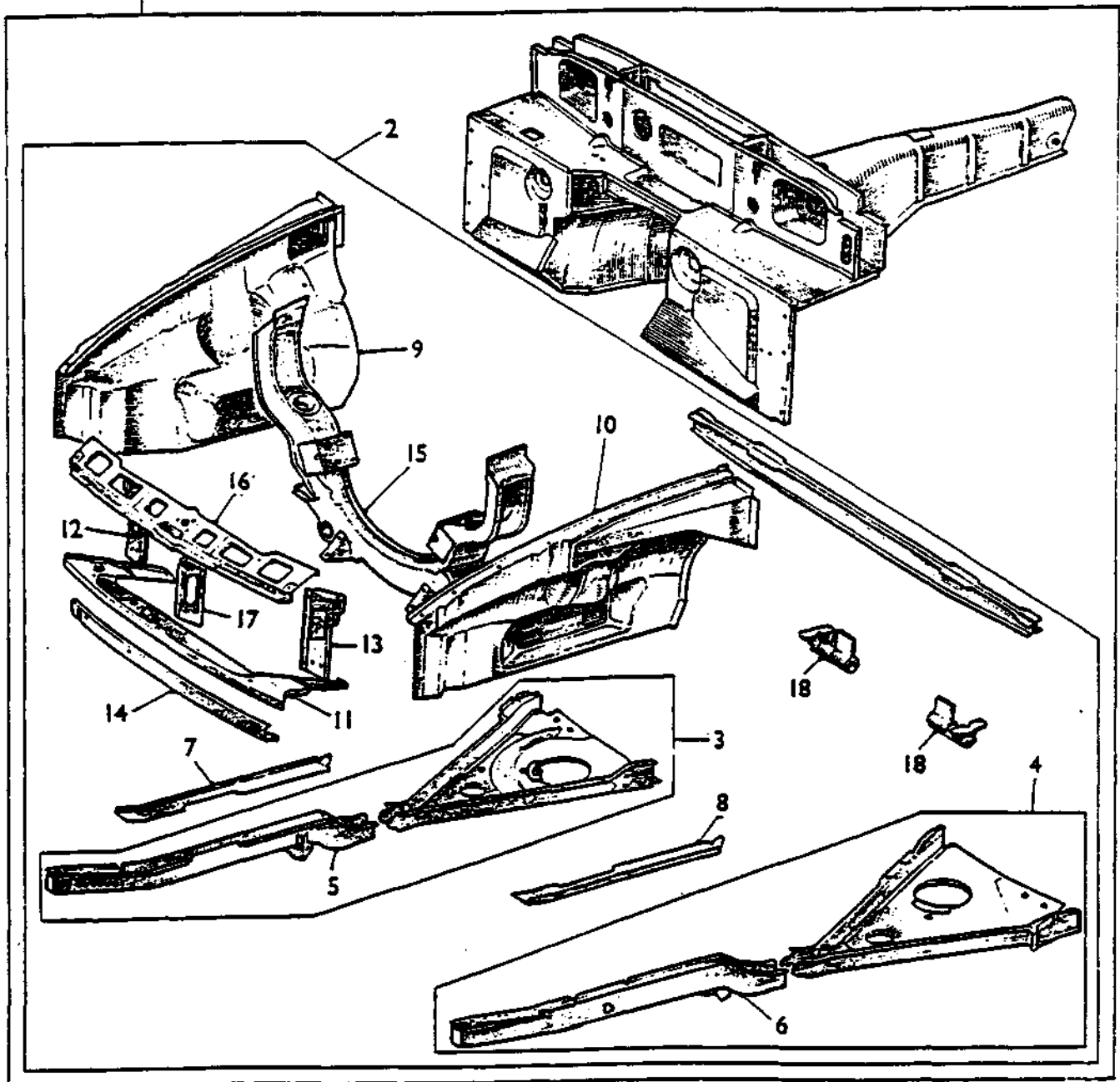
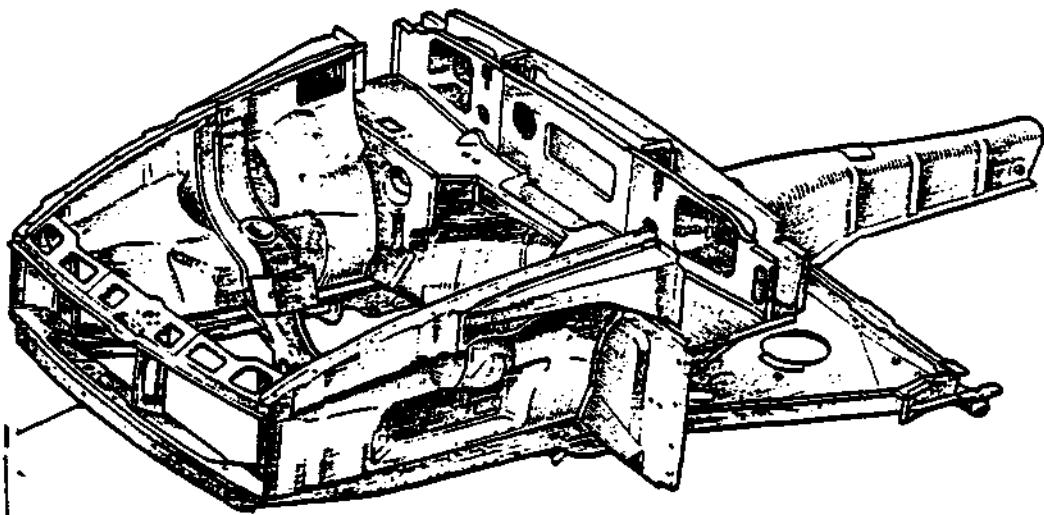


(229)

32.	Gauge-assembly fuel.....	BHA4736...1	BHA4736	G-CD1-101 TO
			BHA4736E	1493 CANADA, 101
				ON EXCEPT N
				AMERICA. G-CN1-
				101 TO 3313
				CANADA, 101 ON
				EXCEPT N. AMER
33.	Gauge assembly-fuel N AMERICA.	BHA4685...1	BHA4736	G-CD1-101 ON
			BHA4736E	USA, 1494 ON
				CANADA.
				G-CN1-101 ON
				USA, 3314 ON
				CANADA
3.	Ring-rubber.....	AJH5184...1	17H1764	
	Strap-fixing.....	N.S.P.		
5.	Washer-spring.....	LWZ302...1	N.C.A.	
6.	Nut-thumb.....	17H932...1	N.C.A.	
34.	Stabilizer-voltage.....	BHA4602...1		
35.	Screw.....	PTZ104...1	AB610041	



230



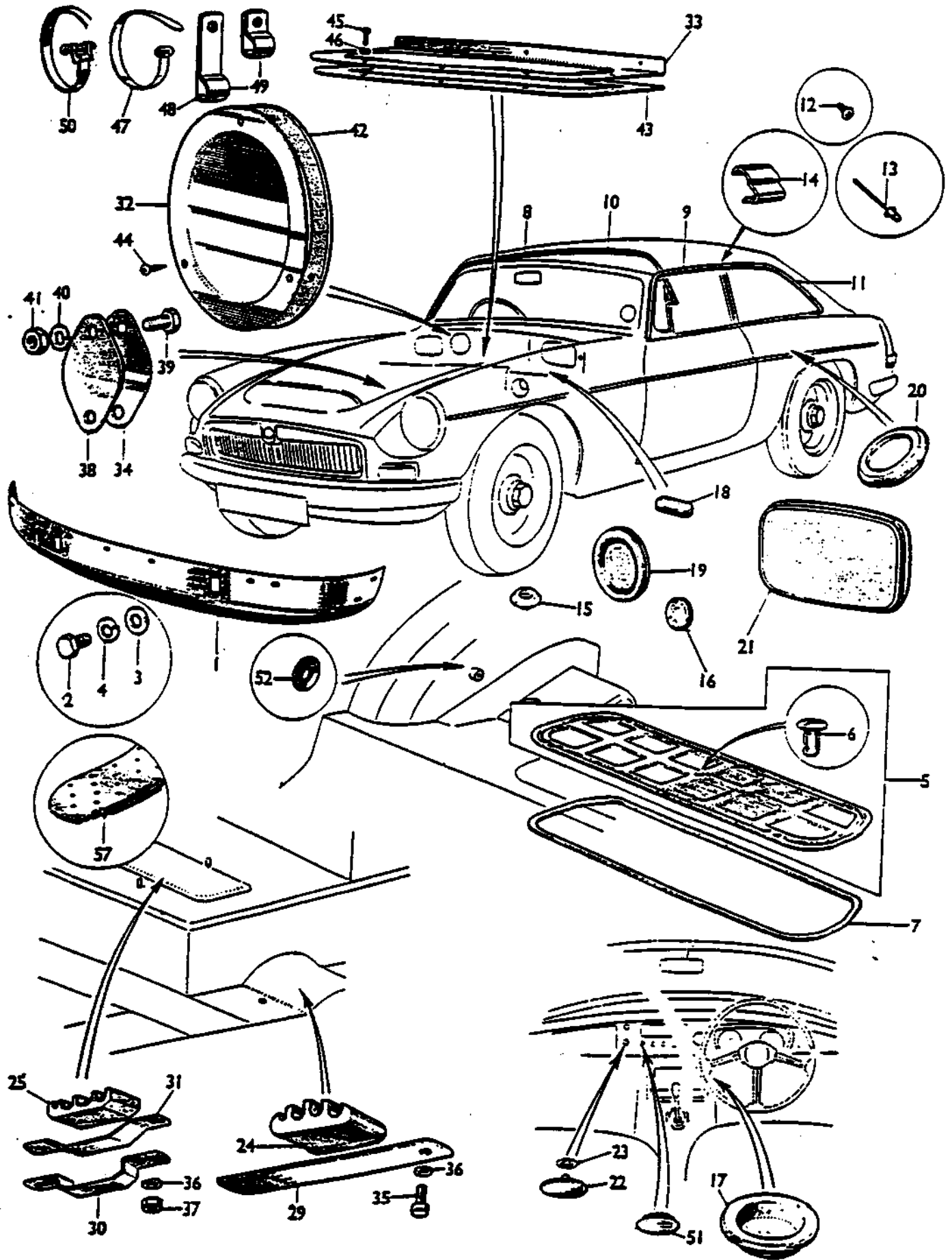
(231)

## BODY SHELL

1.	End assembly-front[with dash].HZA1312...1	N.L.A.	[C]G-CN1-101 ON EXCEPT CANADA G-CN1-101 TO 3313 CANADA
1.	End assembly-front[with dash] North America..HZA3362...1	N.L.A.	G-CN1-101 ON USA, 3314 ON CANADA
2.	End assembly-front[less dash].HZA589....1	N.L.A.	
3.	Side member assembly-RH.....HZA1406...1	N.L.A.	
4.	Side member assembly-LH.....HZA1407...1	N.L.A.	
5.	Side member-front-RH.....HZA1306...1	N.L.A.	
6.	Side member-front-LH.....HZA1307...1	N.L.A.	
7.	Side member-upper-RH.....HZA1100...1	N.L.A.	
8.	Side member-upper-LH.....HZA1101...1	N.L.A.	
	<b>WHEEL ARCH</b>		
9.	Right hand.....HZA1392...1	HZA3304 N.L.A.	G-CN1-101 NO EXCEPT CANADA G-CN1-101 TO 3313 CANADA.
9.	Right-hand.....North America..HZA3304...1	N.L.A.	G-CN1-101 ON USA, 3314 ON CANADA
10.	Left hand.....HZA1393...1	N.L.A.	
	<b>PANEL</b>		
11.	Radiator duct.....HZA1411...1	N.L.A.	
12.	Radiator diaphragm-RH.....HZA1434...1	N.L.A.	
13.	Radiator diaphragm-LH.....HZA1435...1	N.L.A.	
14.	Cross member-front rad duct...HZA1405...1	N.L.A.	
15.	Cross member-front suspension.....HZA1418...1	N.L.A.	
16.	Platform-bonnet-locking.....HZA1413...1	N.L.A.	
17.	Reinforcement-locking platform.....HZA1115...1	N.L.A.	
18.	Bracket-jacking.....HZA1424...1	BRP36	



232

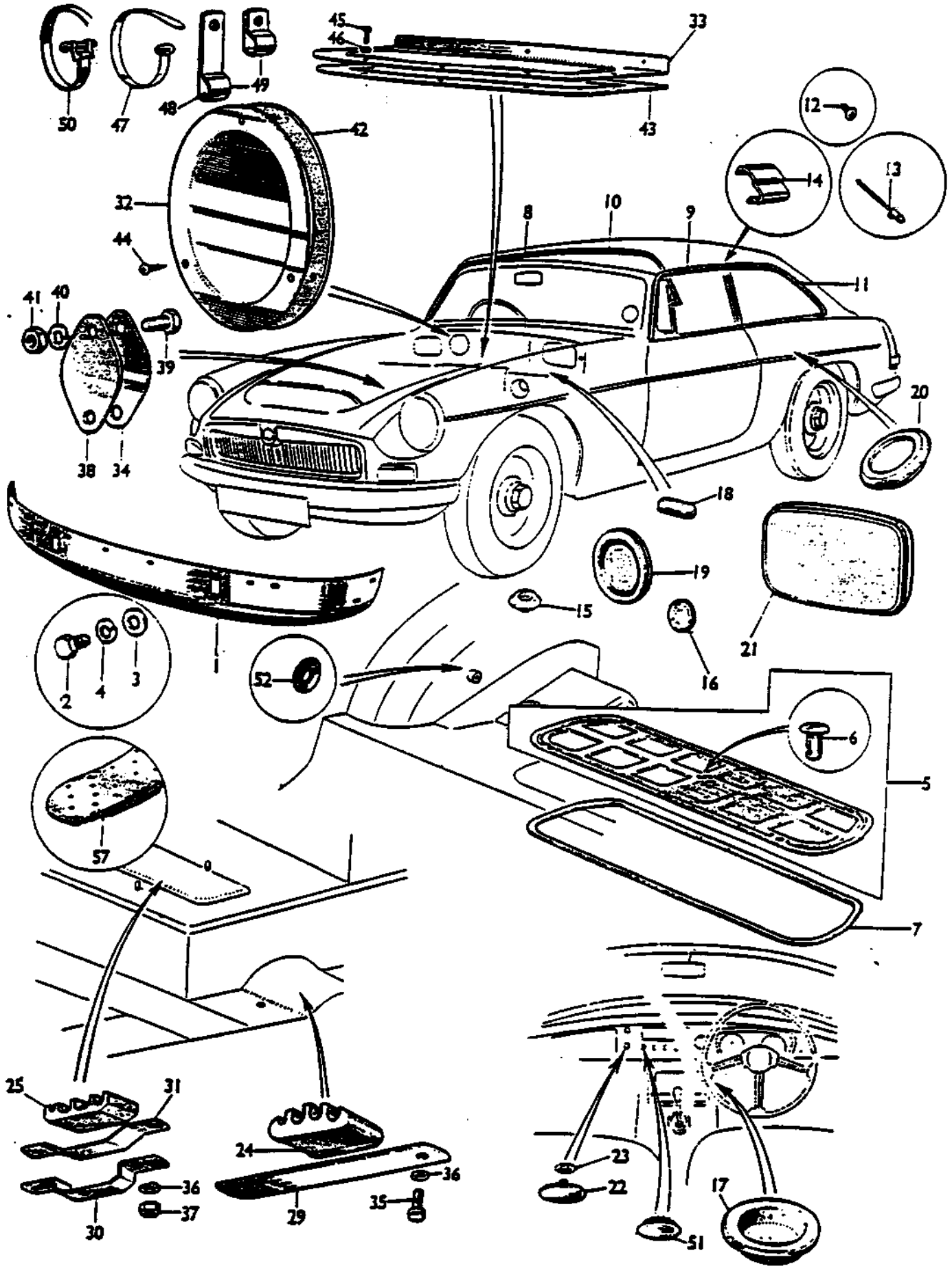


(233)

## BODY SHELL [TOURER AND GT]

1.	Panel-front fairing.....	HZA592....1		
2.	Screw.....	HZA0404...12	SH604041	
3.	Washer-plain.....	PWZ204....12		
4.	Washer-spring.....	LWZ204....12	GHF331	
5.	<b>Panel assembly-battery access</b>	AHH6716...1		
6.	Fastener-Dzus.....	AHH7210...5		
7.	Rubber-sealing-battery access panel.....	AHH6352...1		
	<b>Finisher-drip moulding</b>			
8.	Front RH.....	AHH7407...1		
9.	Front LH.....	AHH7408...1		
10.	Rear RH.....	AHH7409...1		
11.	Rear LH.....	AHH7410...1		
12.	Screw finisher to roof.....	MTP402....8	AB604023	
13.	Rivet-finisher.....	DMP0721...36	RA607096	
14.	Clip-finisher.....	AHH7422...2		
	<b>Plug-blanking</b>			
15.	Diameter of hole			
	3/8 [9.52mm].....	CFP375....A/R		
	5/8 [15.87mm].....	CFP625....A/R		
	3/4 [19.05mm].....	CFP750....A/R		
	1 [25.4mm].....	CFP1000...A/R		
16.	1/4 [6.35mm].....	RFN204....A/R		
	3/16 [7.93mm].....	RFN205....A/R	N.L.A.	
	7/16 [11.11mm].....	RFN207....A/R		
	5/8 [15.81mm].....	RFN210....A/R		
	1 1/2 [38.1mm].....	RFN224....A/R	N.C.A.	
	1 5/8 [41.27mm].....	4G9763....A/R	N.C.A.	
17.	Gearbox cover.....	AHH6507...1		
18.	LHD Steering column mounting bolt holes.....	RHD.....AHH6478...2		
19.	Steering column hole[not n....	AHC152....1	N.L.A.	
19.	Steering column hole[America..	AHC814....1	N.L.A.	
20.	Rear floor.....	BHA4536...2		
21.	Master cylinder access hole RHD.....	14B630....2		
22.	Heater control holes in facia LHD.....	BDH1750...2	N.C.A.	
23.	Push on fix-heater control hole blanking plug.....	PFR108....2		
24.	Services[large].....	AHC61....2	N.L.A.	
25.	Services[small].....	AHH6286...4		
29.	Retaining-services grommet....	AHC59....2	N.L.A.	
30.	Retaining-services grommet....	AHC60....1	N.L.A.	
31.	Retaining-services grommet....	AHH6287...2	N.C.A.	
32.	Cover-air box.....	AHH6294...1	N.L.A.	
33.	Cover-heater aperture.....	AHH6260...1	N.L.A.	REQUIRED WHEN HEATER NOT FITTED
34.	Blanking-clutch pedal hole auto.....	14G8731...1	N.L.A.	
35.	Screw-retaining plate.....	HZS0405...6	SH604051	
36.	Washer-spring.....	LWZ204....10	GHF331	
37.	Nut.....	FNZ104....4	GHF200	
38.	Seal-clutch pedal hole blanking plate.....	AHC127....1	N.C.A.	AUTOMATIC
39.	Screw-plate.....	HZS0506...2	SH605061	---
40.	Washer-spring.....	LWZ205....2	GHF322	---
41.	Nut.....	FNZ104....2	GHF200	---

234



235

42.	Seal-air box cover plate.....	AHH6295...1	N.C.A.
43.	Seal-heater aperture cover plate.....	AHH6290...1	AHH6290K
44.	Screw-cover plate.....	PTZ1003...6	AB610031 N.L.A.
45.	Screw-heater aperture cover plate.....	PMZ0308...5	PMZ308
46.	Washer-spring.....	LWZ203...5	WL700101
	<b>CLIP</b>		
47.	Pipes and wiring to floor.....	AHH6728...1	2K6640
48.	Services[long].....	AHC332...9	N.L.A.
49.	Services[short].....	AHC331...1	N.L.A.
50.	Pipes and wiring to side member.....	21K8341...2	
51.	Button-blanking-starter and ignition switch hole.....	ACH9873...1	
52.	Washer-seat belt anchorage....	AHH8319...2	N.L.A.
57.	Pad-insulation.....	27H6841...1	CHM228



BONNET AND CONTROL DETAILS

1.	Lid-bonnet.....	HZA1318...1	MGS71007	FIBREGLASS
2.	Hinge-bonnet.....	HZA364...2		
3.	Screw.....	HZS0406...4	GHF117	
4.	Washer-plain.....	PWZ204...4		
5.	Washer-spring.....	LWZ204...4	GHF331	
6.	Nut.....	FNZ104...4	GHF200	
7.	Screw.....	HZS0405...4	SH604051	
8.	Washer-plain.....	PWZ204...6		
9.	Washer-spring.....	LWZ204...6	GHF331	
10.	Nut.....	FNZ104...2	GHF200	
11.	Cup-lock locating.....	AHA5543...1		
12.	Plate-catch.....	4G3035...1	N. Y. A.	
13.	Screw.....	HZS0404...3	SH604041	
14.	Washer-spring.....	LWZ204...3	GHF331	
15.	Pin-bonnet lock.....	14G2444...1		
16.	Thimble-bonnet lock.....	4G3676...1		
17.	Spring-bonnet lock.....	HZA563...1	4G1588	
18.	Spring-catch plate return.....	4G2494...1		
19.	Catch-saferty.....	HZA332...1		
20.	Screw.....	PMZ0308...3	PMZ308	
21.	Nut-anchor.....	BHA4338...3		
22.	Bracket-safety catch.....	AHA5617...1		
23.	Screw.....	PMZ0308...2	PMZ308	
24.	Washer-plain.....	PWZ203...2		
25.	Washer-spring.....	LWZ203...2	WL700101	
26.	Rod-bonnet prop.....	HZA1453...1	N. L. A.	
27.	Washer-DC spring.....	AJD7732...1	AJD7731	
28.	Washer-plain.....	PWZ105...2	GHF301	
29.	Stop-rod[rubber].....	2H9215...1		
30.	Bracket-stop.....	AHH7091...1	N. L. A.	
31.	Screw.....	PTZ1004...2	AB610041	
32.	Cable-bonnet pull control.....	AHC19...1		
33.	Trunnion-cable.....	24G1052...1		
34.	Screw.....	53K1016...1		
35.	Clip.....	PCR0311...3	PCR311	
36.	Nut.....	FNZ105...2	NT605041	
37.	Moulding-bonnet.....	AHC12...1		
38.	Plate-stud-moulding.....	AHA5817...6	AHA9447	
39.	Washer-plain.....	PWZ103...6	GHF306	
40.	Washer-spring.....	LWZ203...6	WL700101	
41.	Nut.....	FNZ103...6	GHF206	
42.	Plate-sealing-bonnet front.....	AHC400...1		
43.	Screw-plate to mounting bracket.....	HZS0505...2	SH605051	
44.	Washer-plain.....	PWZ105...2	GHF301	
45.	Washer-spring.....	LWZ205...2	GHF332	
46.	Nut.....	FNZ105...2	GHF201	
47.	Screw-plate to fan cowl.....	PMZ307...1		
48.	Washer-plain.....	PWZ103...1	GHF306	
49.	Washer-spring.....	LWZ203...1	WL700101	

Beware, several vendors supply an MGB cable which is too short for MGC application. OEM round pull is superceded to T style





CONT

SEAL

50.	Bonnet front.....	AHC404....	1	
51.	Bonnet rear.....	AHH7120...	1	BHH2270
61.	Bonnet rear.....	AHH8934...	1	BHH209
52.	Radiator top.....	AHC405....	1	AHC405 is correct
63.	Rivet-bonnet seal-rear.....	KXR0416...	4	N.C.A.
62.	Washer-cup.....	FWP906....	4	
53.	Grille-air intake.....	AHH6102...	1	
54.	Push on fix-grille.....	BHA4082...	6	GHF1531
	Fix-blind.....	13H217....	6	GHF1531
55.	Buffer-bonnet[rubber].....	AHH6523...A/R		
56.	Screw.....	PMZ0306...A/R		PMZ306
57.	Washer-spring.....	LWZ203...A/R		WL700101
58.	Nut.....	FNZ103...A/R		GHF206
59.	Pad-insulating-bonnet lid F...	AHH6761...	1	BHH925
60.	Pad-insulating-bonnet lid R...	AHH436....	1	BHH926
	Pad-insulating-bonnet lid	BHH925/6	2 piece kit	
	Pad insulating bonnet one piece kit	AHC436K	1	KA stock 2014
*68	Letter set "MGC GT".....	AHC7836/9	1	
69	Fix blind.....	GHF1531...	5	
70	Push on fix.....	BHA4558...	5	
64.	Letter M.....	ADH2475...	1	
65.	Letter G.....	ADH2476...	1	
66.	MG-Octagon set-3 piece.....	AHH5261C..	1	
67.	Motif MGC.....	AHC76.....	1	

Most suppliers offer 2x the extruded top seal for the lower position atop the radiator. The consequence is too high a profile possibly damaging the alloy bonnet. KA has invested time and resource to create a pliable alternative for the lower position

\*68 M... AHH7888.. 1  
G... AHH7836.. 2  
C... AHC303... 1  
T... AHH7837.. 1



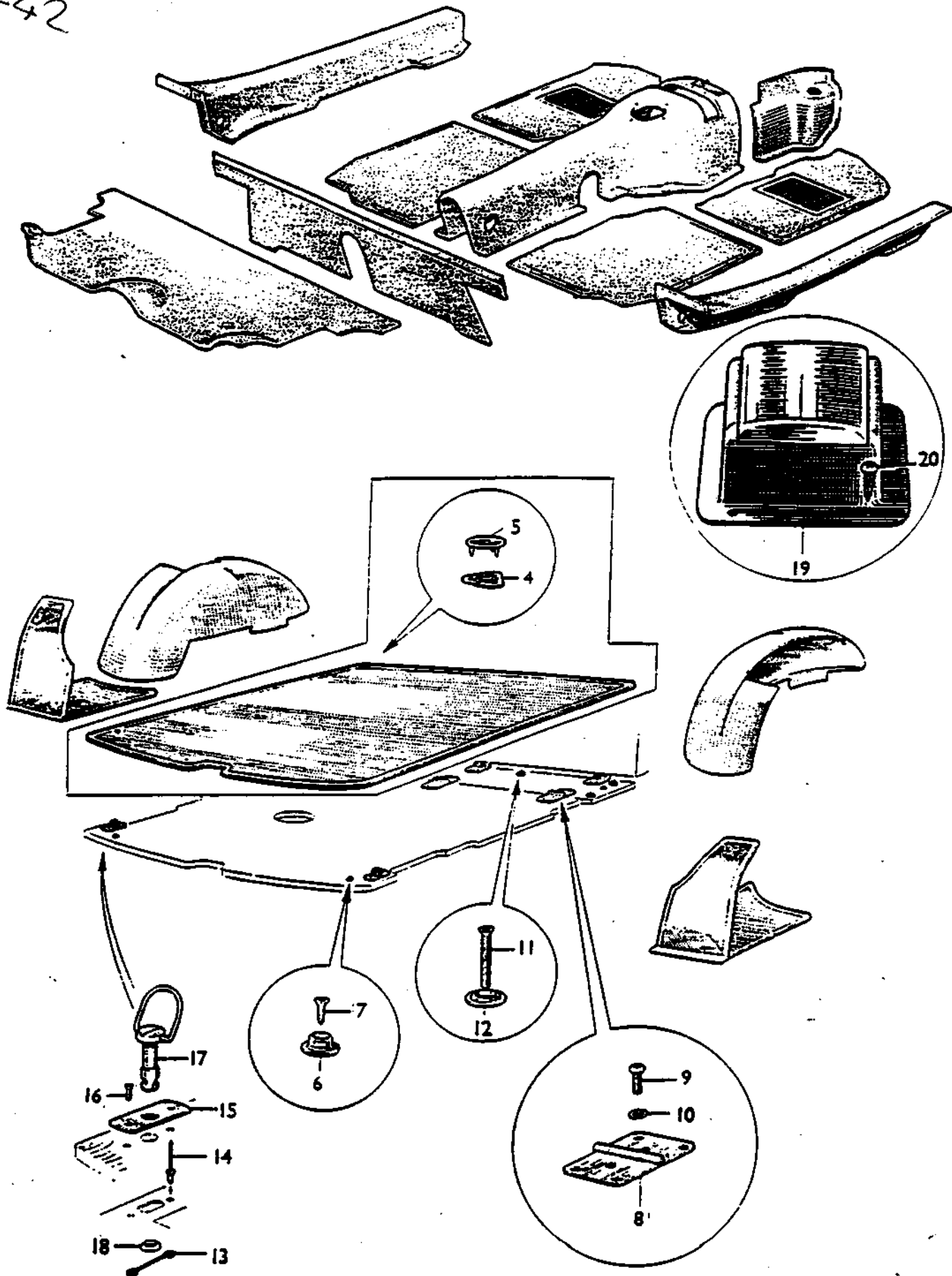


241

## WINDSCREEN WASHER

1.	Container.....	AHC363....	1		
2.	Strap-container.....	AHC364....	1		
3.	Plug assembly-cap.....	34G1289....	1		AHC364R reproduction is available KA 2016
4.	Valve.....	13H400....	1		GWW951
5.	Jet assembly.....	AHH6846....	2		GWW506
6.	Jet.....	ROADSTER..	27H9623...2		GWW802
7.	Washer-shakeproof.....	LWZ404....	2		GWW802
8.	Nut.....	FNZ104....	2		GHF321
9.	Jet assembly-twin.....	BHA4544....	1		GHF200
10.	Adaptor.....	27H6898....	1		GWW801
11.	Nozzle.....	GT.....	27H9886...2		N.L.A.
12.	Washer.....	37H9521...1			N.L.A.
13.	Washer-shakeproof.....	27H6899...1			N.L.A.
14.	Nut.....	27H6900...1			N.L.A.
15.	Control assembly..NOT NORTH..	ADA4594...1			GWW102
16.	Ring-locking.....	AMERICA....	34G1301...1		N.L.A.
17.	Pump and bracket.....	13H3989...1			G-CN1, G-CD1-101
18.	Screw.....	NORTH....	PMZ306...2		on NOT CANADA
19.	Washer-spring.....	AMERICA..	LWZ203...2		G-CN1-101 to
					3313, G-CD1-101
					to 1493 CANADA
					G-CN1, G-CD1-101
					U.S.A
					G-CN1-3314 on
					G-CD1-1494 on
					CANADA
20.	Connection-3-way....	ROADSTER..	34G1295...1		GWW124
21.	Valve-line.....	GT.....	BHA4610...1		WL700101
22.	Washer tubing (4.8 mm) O/D....	37H9708..	A/R		
	3-way connection to R/H jet-				
	51 cm long.....	ROADSTER..			
	3-way connection to L/H jet-				
	31 cm long.....	ROADSTER..			
23.	Washer tubing (6.4 mm) O/D....	97H2679..	A/R		GWW408
	Pump to 3-way connection -				GWW504
	23 cm long.....	ROADSTER..			GWW201M
	Line valve to jet-				
	16 CM LONG.....	GT..			
	Line valve to pump-				
	16 cm long.....	GT..			
	Control to container-				
	261 cm long .....	ALL..			
24.	Strap-tubing to oil pipe.....	ACH8979...1			13H6107
25.	Circlip-tubing to wiper case..	1B3498....1			
26.	Grommet.....	RFN104....1			RFR104

242

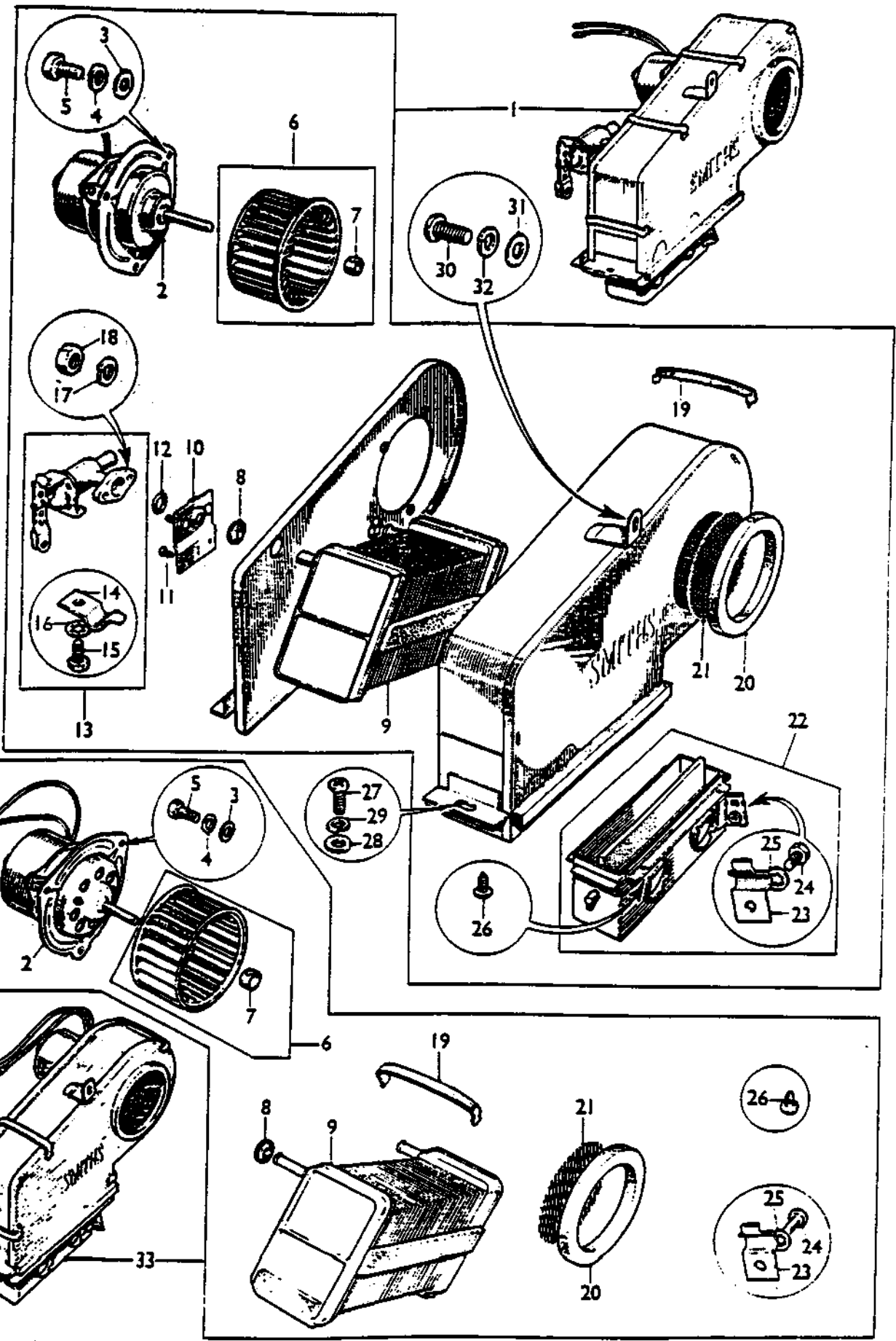


243

## TRIM DETAILS and FLOOR FITTINGS

1.	Carpet set BLACK...ROADSTER...CSA4020...1	
1.	Carpet set BLACK...GT.....CSA5020...1	
2.	Carpet set boot 13 pce.RDSTR..CSA4030...1	BLACK ONLY
3.	Carpet rear floor BLACK ..GT..CSA4012...1	
	Prefix.....A..BLACK	
	N..NAVY	
	R..RED	
	K..AUTUMN LEAF	
4.	Socket-fatener.....2H8445.....6	
5.	Ring-spiked.....14G8736...6	
6.	Fastener-dot.....ADB4811...2	610624
7.	Screw-fastener.....CTZ604...2	AC606041
8.	Hinge-luggage floor rear.....AHH7527...3	N.C.A.
9.	Screw-hinge.....PMZ308...9	
10.	Washer-spring.....LWZ203...9	WL700101
11.	Screw-luggage floor front.....CMZ402...6	SF604101
12.	Washer-cup.....GT.ACA5374...6	
13.	Fastener-spring.....BHA4539...2	
14.	Rivet-pop.....DMP829...2	
15.	Plate-luggage floor rear.....AHH7552...2	N.C.A.
16.	Screw-plate.....PTZ603...4	
17.	Dzus fastener floor rear.....BHA4537...2	
18.	Grommet-fastener.....BHA4538...2	
19.	Ashtray.....AHH7061...1	
20.	Screw-ashtray to tunnel.....PTP606...A/R	N.C.A.

244

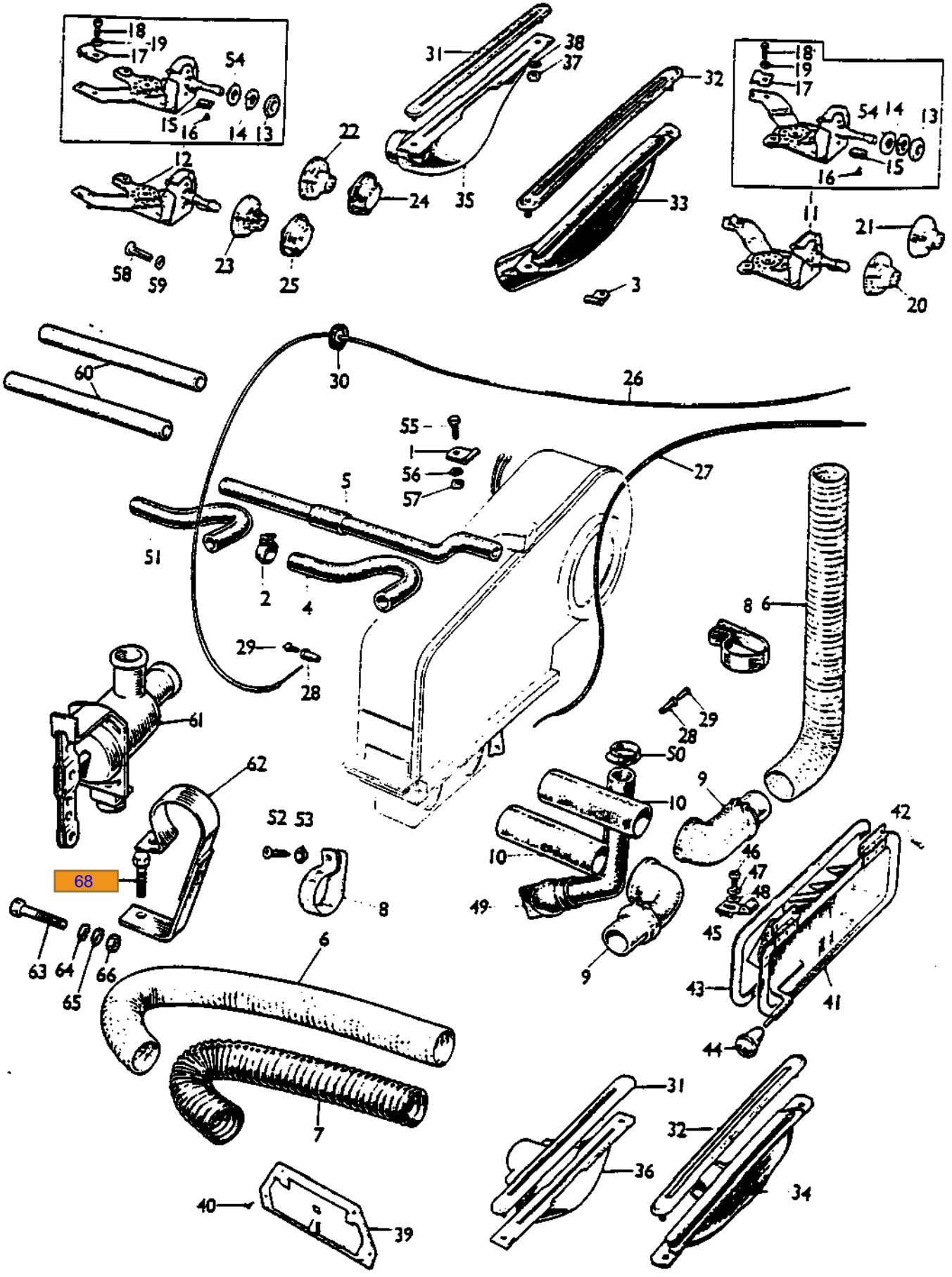


245

## HEATING and VENTILATING

1.	Heater assembly.....	BHA4746...1	N.L.A.	G-CN1.G-CD1 101 to 2063
2.	Motot and mounting plate.....	37H2789...1	37H7913	
3.	Washer-plain.....	PWZ203...3		
4.	Washer-spring.....	LWZ203...3	WL700101	
5.	Screw.....	37H99...3	N.L.A.	
6.	Rotor assembly.....	37H2787...1	N.C.A.	
7.	Clip.....	17H6836...1		
8.	Grommet.....	7H1993...2		
9.	Radiator.....	37H2788...1	N.L.A.	G-CN1.G-CD1 101 to 2063
9.	Radiator.....	37H3042...1	37H7914	G-CN1.G-CD1 2064 on
10.	Bracket-water valve.....	27H8841...1		
11.	Screw-bracket.....	PTZ603...2		
12.	Ring-sealing-valve.....	27H1248...1	C9928A	
13.	Valve assembly-water.....	27H8836...1	BHA4918	N.C.A.
14.	Clamp-cable.....	27H1193...1		G-CN1.G-CD1 101 to 2063
15.	Screw.....	53K126...1		
16.	Washer-shakeproof.....	LWZ403...1	WF702101	
17.	Washer-spring.....	LWZ204...2	GHF331	
18.	Nut.....	FNZ104...2	GHF200	
19.	Clip-cover.....	17H1595...5		
20.	Seal-intake.....	17H3714...1		
21.	Mesh-intake.....	27H8831...1		
22.	Duct assembly outlet.....	17H2286...1	N.L.A.	
23.	Clamp-cable.....	27H1193...1		
24.	Screw.....	53K126...1		
25.	Washer-shakeproof.....	LWZ403...1	WF702101	
26.	Screw-duct.....	PTZ602...4	AB606021	
27.	Screw.....	FMZ310...1		
28.	Washer-plain.....	PWZ103...1	GHF306	
29.	Washer-spring.....	LWZ203...1	WL700101	
30.	Screw.....	FMZ410...1	SE604051	
31.	Washer-plain.....	PWZ104...1	GHF300	
32.	Washer-spring.....	LWZ204...1	GHF331	

246





BODY SERVICE PARTS LIST

247

AKD 5067

Illus. No.	DESCRIPTION	Part No.	Quantity	Change Point	REMARKS
<b>HEATING AND VENTILATING—continued</b>					
<b>HEATER—continued</b>					
<b>Clip</b>					
1	Heater motor cables	PCR 0907 ✓	2		PER 307
2	Hose	HCS 212 ✓	4	See (1) foot of page	} GAC 507
3	Hose	†AHH 8892 ✓	6	See (2) foot of page	
3	Heater control cable	PCR 0907 ✓	1		PER 307
<b>Hose</b>					
4	Heater to engine outlet	Net AHC 486 ✓	1	See (1) foot of page	AHC 768 NLA (CR4902?)
5	Heater to heater tube	N. AHC 581 ✓	1	AHC 769 NLA	W.S.E. use AHC 780
6	Air—demister	America AHH 8304 ✓	2		
7	Heater and demister	AHH 8784 ✓	2	Imk 19 52	
5	Heater to heater tube	N. †AHC 769 ✓	1	NLA USE GRH1006M	(GR4902)
51	Heater to engine outlet	America AHC 788 ✓	1	See (1) foot of page	NLA USE GRH1006M
60	Outlet and heater to valve—0½" (25 x 1.27 cm) long	†87H 8718 ✓	A/R	See (2) foot of page	GRH1006M Supplied in multiples of feet
8	Clip	AHH 7173 ✓	2	AHC 885 NLA	
32	Screw—demister hose clip	N. AHA 8768 ✓	1	NLA	
53	Washer—screw	America FWP 908 ✓	1		
9	Elbow—demister	14G 3499 ✓	2		
10	Tube—connector	AHH 6527 ✓	2	NLA	
61	Valve—water	†BHA 4828 ✓	1		← NLA AVAILABLE
62	Bracket—valve	†AHC 885 ✓	1		← NLA AHC 885 IS CURRENTLY AVAILABLE
63	Screw—clip to bracket	†HZS 0406 ✓	1		GHF 117
64	Washer—spring	†LWZ 304 ✓	1	See (2) foot of page	GHF 331
65	Washer—plain	†PWZ 204 ✓	1		GHF 200
66	Nut	†FNZ 104 ✓	1		GHF 117
68	Screw—bracket to cylinder head	†HZS 0406 ✓	1		GHF 117
<b>Control assembly—rotary</b>					
11	Heat	RHD BHA 4826 ✓	1	NCA	
11	Air	BHA 4827 ✓	1	NCA	
12	Heat	LHD BHA 4832 ✓	1	NCA	
12	Air	BHA 4833 ✓	1	NCA	
12	Heat	N. †BHA 4767 ✓	1	NCA	
12	Air	America †BHA 4768 ✓	1	BHA 5011 NCA	
13	Nut—locking	27H 1249 ✓	1	NLA	
14	Washer—spring	27H 1250 ✓	1	NLA	
15	Grip—knob	17H 1601 ✓	1		
16	Pin—knob	17H 1603 ✓	1	NCA	
17	Clamp—cable	27H 1193 ✓	1		
18	Screw—clamp	53K 126 ✓	1		
54	Washer—plain	37H 60 ✓	1	NLA	
19	Washer—shakeproof	LWZ 403 ✓	1	WF 702101	
58	Rivet—heater control	N. AHH 8971 ✓	2	NCA	
39	Washer—plain control	America PWZ 106 ✓	2	GHF 302	
<b>Knob</b>					
20	Heat	RHD BHA 4828 ✓	1		
21	Air	BHA 4829 ✓	1		
22	Heat	LHD BHA 4834 ✓	1		
23	Air	BHA 4835 ✓	1		
24	Heat	N. †BHA 4672 ✓	1		
25	Air	America †BHA 4673 ✓	1		
<b>Cable</b>					
25	Heat control	RHD AHC 188 ✓	1	See (1) foot of page	BHM 678
26	Heat control	†AHC 813 ✓	1	See (2) foot of page	NLA
27	Air control	BHA 4830 ✓	1		BHA 5407
26	Heat control	LHD AHC 184 ✓	1	See (1) foot of page	BHM 679
26	Heat control	†AHC 812 ✓	1	See (2) foot of page	BHM 678
27	Air control	‡ AHC 185 ✓	1		BHM 1230
26	Heat control	N. †AHC 752 ✓	1	See (1) foot of page	NLA
26	Heat control	America ‡ †AHC 811 ✓	1	See (2) foot of page	NLA

ABBREVIATIONS AND SYMBOLS

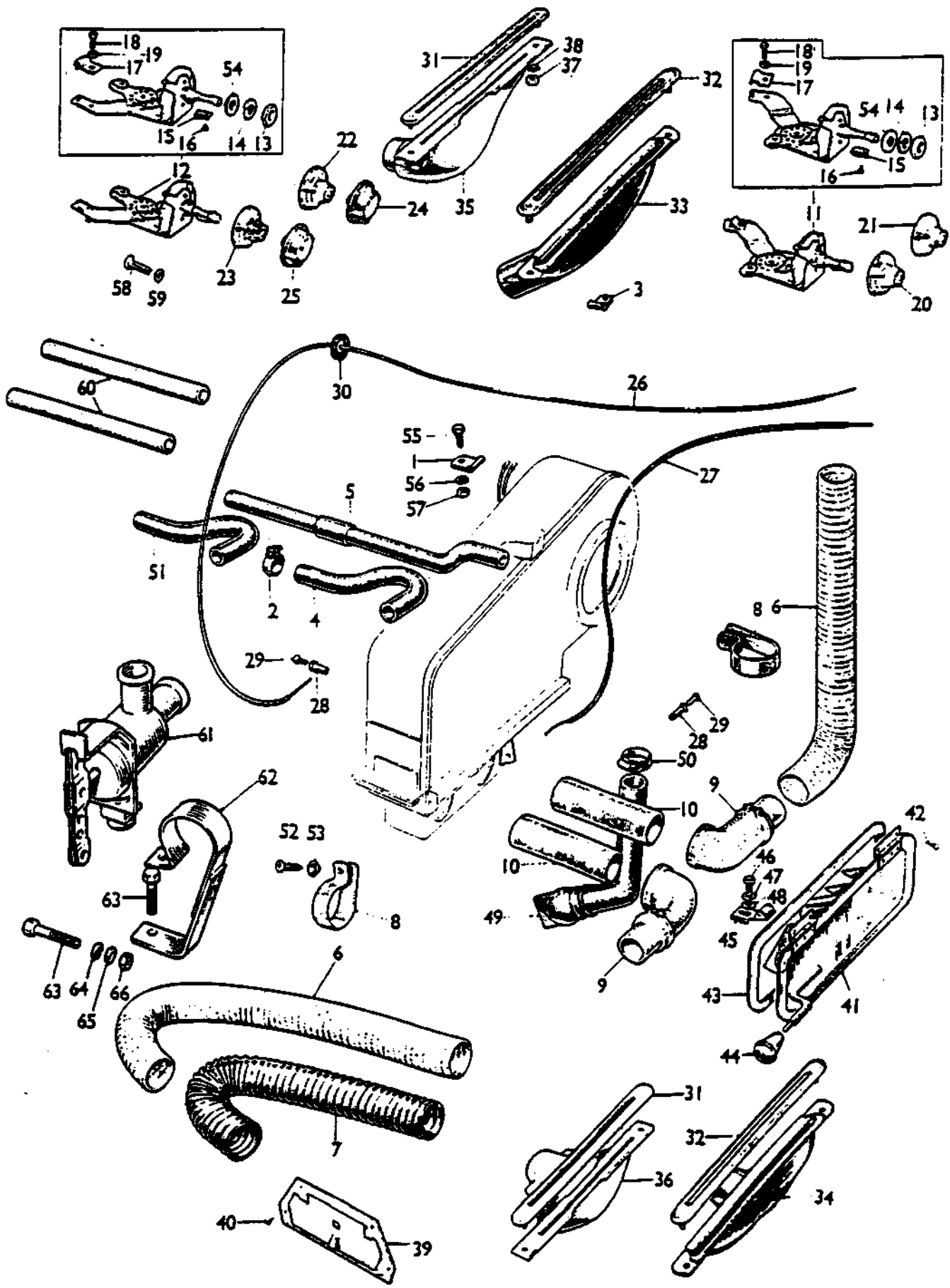
(C) Car number LH Left-hand LHD Left-hand drive RH Right-hand RHD Right-hand drive  
 W.S.E. When stock exhausted ‡ This item is subject to safety regulations † Revised information

CHANGE POINTS

(1) (C) G-CN1-101 to 2063, (C) G-CD1-101 to 2603  
 (2) (C) G-CN1-2064 on, (C) G-CD1-2604 on

NOTE. From (C) G-CN1-3314 on and (C) G-CD1 on, Canadian cars were fitted with parts specified for N. America





BODY SERVICE PARTS LIST

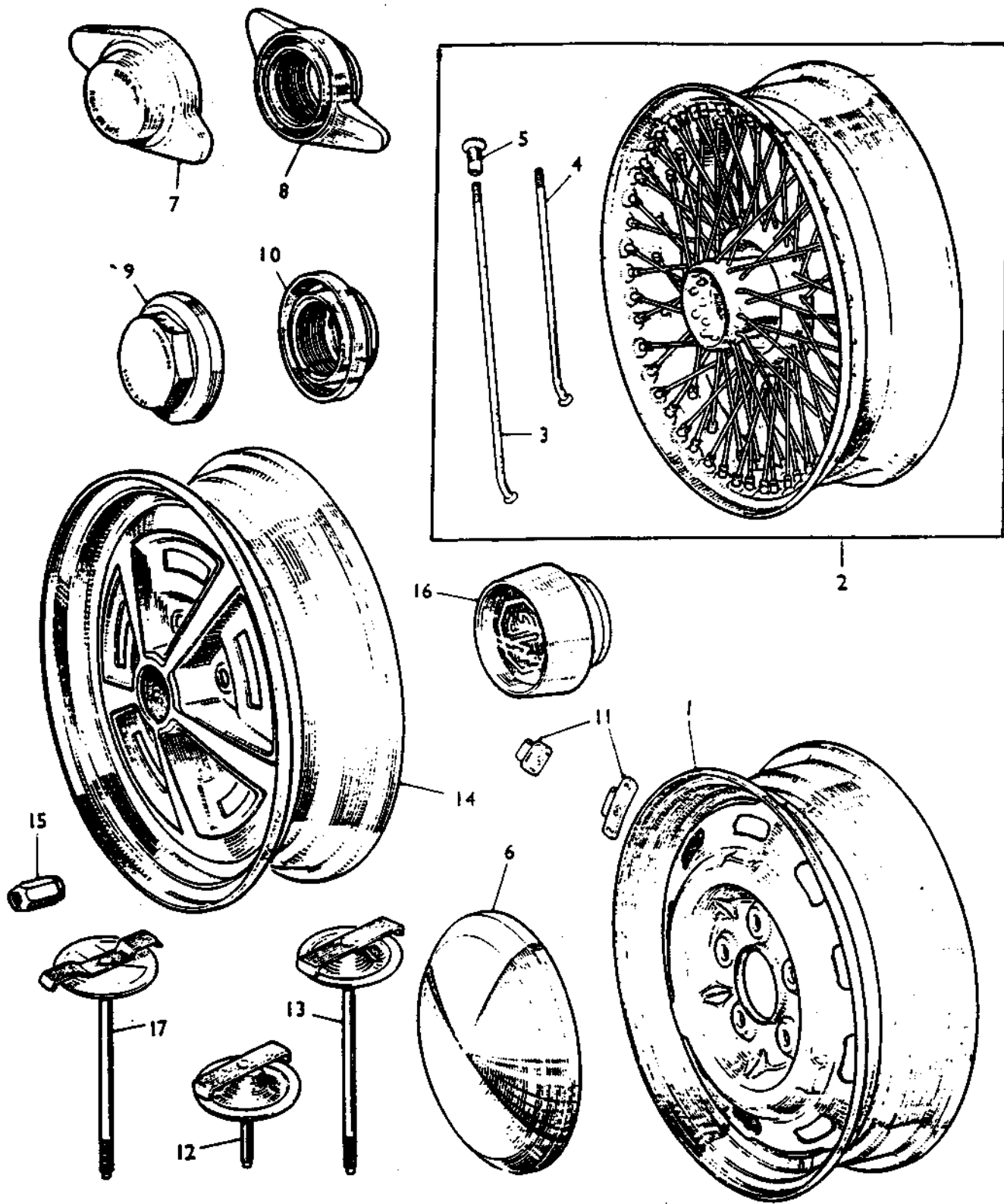
Illus. No.	DESCRIPTION	Part No.	Quantity	Change Point	REMARKS
<b>HEATING AND VENTILATING—continued</b>					
<b>HEATER—continued</b>					
28	Trunnion	24G 1482 ✓	4		
29	Screw—trunnion	58K 1016 ✓	4		
55	Screw—motor cable clip to heat shield	58K 126 ✓	1	(C) G-CN1-101 to 2068	
56	Washer—spring	LWZ 208 ✓	1	(C) G-CD1-101 to 2068	WL400101 GHP206
57	Nut	FNZ 108 ✓	1		
80	Grommet—heat control cable	RFR 508 ✓	1		
31	Escutcheon—demister	†AHH 0190 ✓	2	(C) G-CN1, G-CD1-101 on	NCA → nca
				except Canada	
				(C) G-CN1-101 to 3313	
				Canada	
				(C) G-CD1-101 to 1493	
				Canada	
32	Escutcheon—demister	†AHH 8560 ✓	2	(C) G-CN1, G-CD1-101 on	NCA
33	Panel—demister—RH	†AHH 8743 ✓	1	USA	
34	Panel—demister—LH	†AHH 8744 ✓	1	(C) G-CN1-3314 on Canada	
				(C) G-CD1-1404 on Canada	
				NCA	
35	Nozzle—demister—RH	HZA 546 ✓	1	NCA	→ nca
36	Nozzle—demister—LH	HZA 547 ✓	1	NCA	→ nca
37	Nut	FNZ 108 ✓	4	GHP206	
38	Washer—spring	LWZ 208 ✓	4	WL70010	
39	Door—heater outlet	18H 59 ✓	2	NCA	13H59SS stainless steel
40	Screw	PTZ 608 ✓	8	AB606043	
41	Door—fresh air vent	HZA 483 ✓	1	NCA	→ nca
42	Screw	PTZ 608 ✓	4	AB606031	
43	Seal—door	AHH 6166 ✓	1	available	
44	Knob—door	AHH 6165 ✓	1	available	
45	Spring—fresh-air vent door	AHH 6192 ✓	1	NCA	→ nca
46	Screw	HZS 0405 ✓	1	SH604	SH604021
47	Washer—spring	LWZ 204 ✓	1	GHP331	
48	Washer—plain	PWZ 104 ✓	1	GHP300	
49	Tube—drain and dust valve	AHC 321 ✓	1	NCA	→ nca
50	Clip	HCS 0709 ✓	1	GHC709	

ABBREVIATIONS AND SYMBOLS

(C) Car number      LH Left-hand      RH Right-hand      † Revised information



250

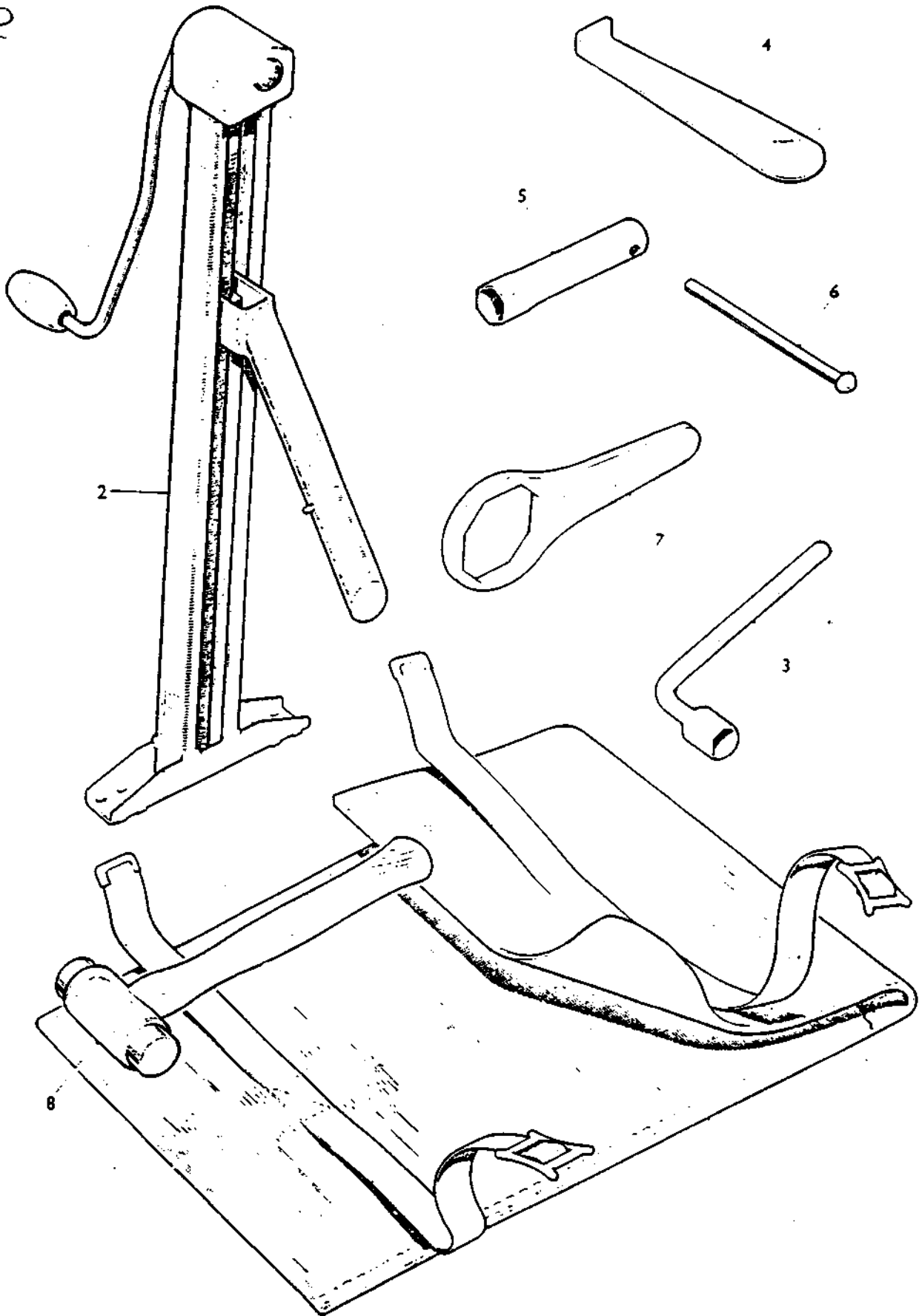


251

## ROAD WHEELS.

1.	Wheel-disc type.....	AHC170....5	N.L.A.	
2.	Wheel assembly wire.....	AHC14....5	WWP457C	
3.	Spoke-long.....	27H8503...180	N.L.A.	
4.	Spoke-short.....	27H8502...180		
5.	Nipple-spoke.....	7H1709....360		
2.	Wheel-assembly-wire.....	AHC806....5	WWC457C	
3.	Spoke-long.....	37H3650...120	N.L.A.	
4.	Spoke-short.....	37H3649...240	N.L.A.	
5.	Nipple.....	37H3651...360	7H1709CP	
14.	Wheel-rostyle.....	AHC853....5	N.L.A.	G-CD1-4236 ON
15.	Nut-wheel stud-CP.....	AHH9152...16		G-CN1-4266 ON
	CAP			
6.	Disc-wheel.....	AHC101....4		
7.	Wire wheel-RH.....	UK .....AHA7373...2		G-CD1,G-CN1-101
8.	Wire-wheel-LH.....	AHA7374...2		TO.....
9.	Wire-wheel-RH.....	AHA7375...2	88G606	G-CD1,G-CN1-101
10.	Wire-wheel-LH.....	AHA7376...2	88G607	ON.. [NOT U.K.]
16.	Rostyle wheel.....	AHH9268...4		G-CD1-4236 ON
	Badge.....	AHH9268B...4		G-CN1-4266 ON
WEIGHT-WHEEL BALANCE				
11.	1/2 OZ [14.17gm].....	AKF1446...A/R	N.L.A.	
11.	1 OZ [28.35gm].....	AKF1447...A/R	N.L.A.	
11.	1.5 OZ [42.52gm].....	AKF1448...A/R	N.L.A.	
11.	2 OZ [56.70gm].....	AKF1449...A/R	N.L.A.	
12.	Plate-clamping-spare wheel mounting.....	AHC326....1	N.L.A.	DISC WHEEL ONLY
13.		AHC296....1	AHH7043	WIRE WHEEL ONLY
17.		AHC866....1		ROSTYLE WHEEL ONLY.

252



253

## TOOLS

1.	Bag-tool.....	AHH6540....1		
2.	Jack-slide lift.....	AHH6538....1	N.L.A.	
3.	Spanner-wheel nut.....	AHH6539....1	N.L.A.	
3.	Spanner-wheel nut-Rostyle wheel.....	AHH9153....1	N.C.A.	G-CD1-4236 ON G-CN1-4266 ON
4.	Lever-hub cap remover.....	11H1686....1	NAM1412	
5.	Spanner-box-sparking plug.....	1B8995....1	N.L.A.	
6.	Tommy bar-box spanner.....	ACA5216....1		
7.	Spanner-hub cap.....	AHH5839....1		WIRE WHEELS ONLY
8.	Hammer-lead.....	88G329....1		
	Hammer-copper.....	C27290....1		