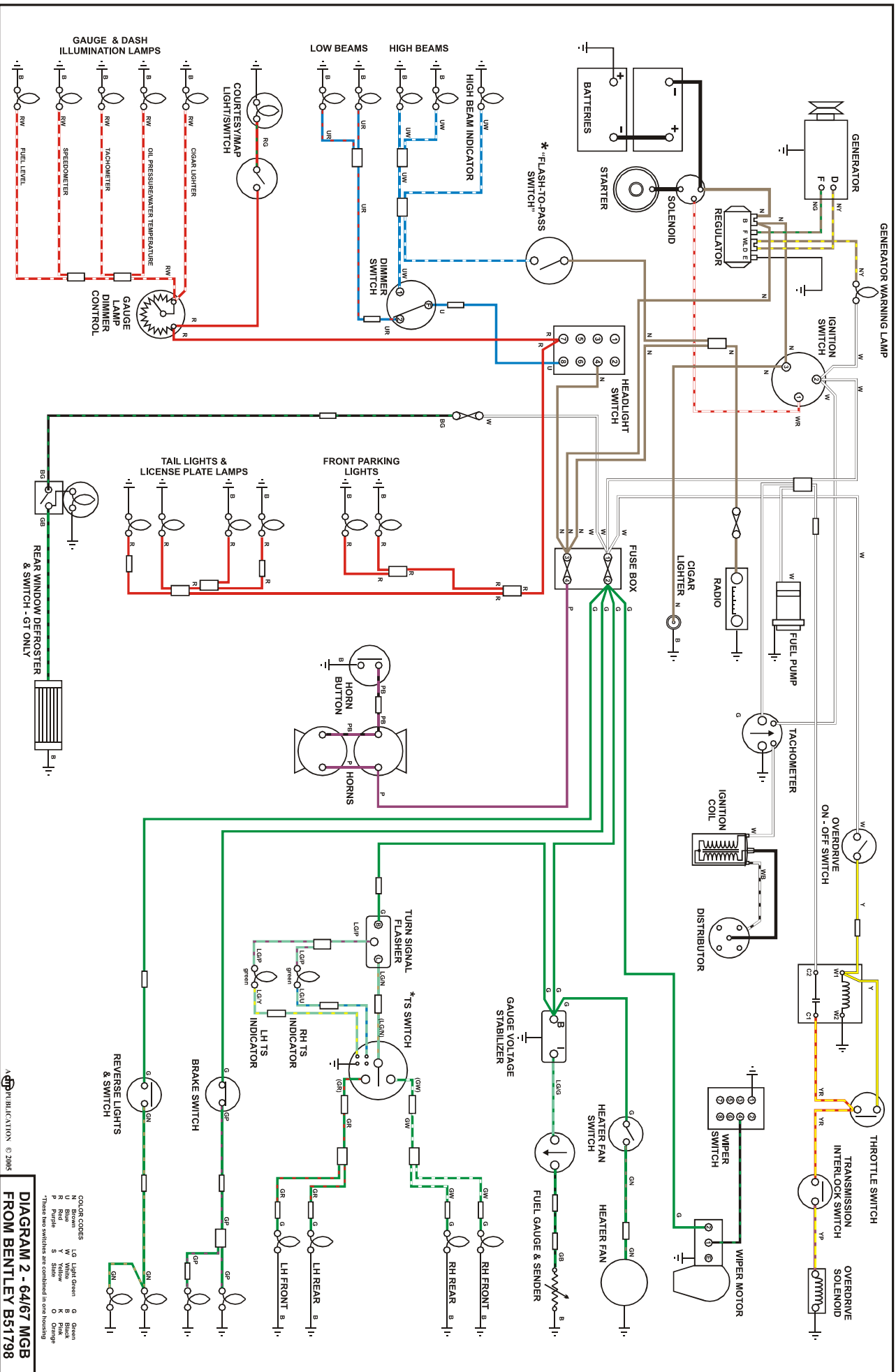


DIAGRAM 1 - 62/64 MGB  
FROM BENTLEY A8753AW

A&P PUBLICATION © 2015



**DIAGRAM 2 - 64/67 MGB**  
**FROM BENTLEY BS1738**

**COLOR CODES**

LG	Light Green	G	Green
N	Black	R	Red
B	Brown	Y	Yellow
R	Red	S	Silver
P	Purple	K	Black
W	White	CH	Change

\*These wire numbers are substituted in our drawings

A.P.P. PUBLICATION © 20MS

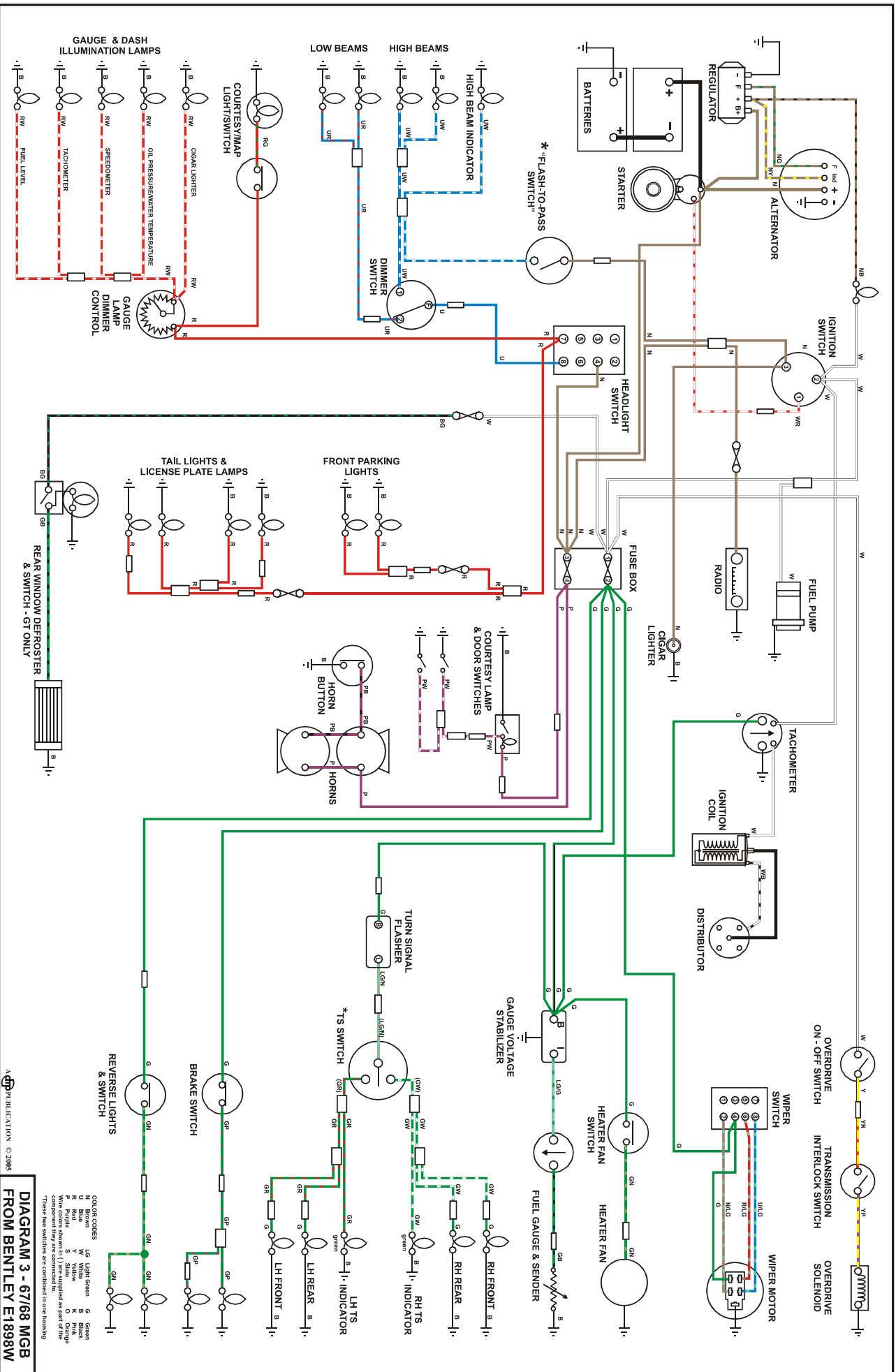


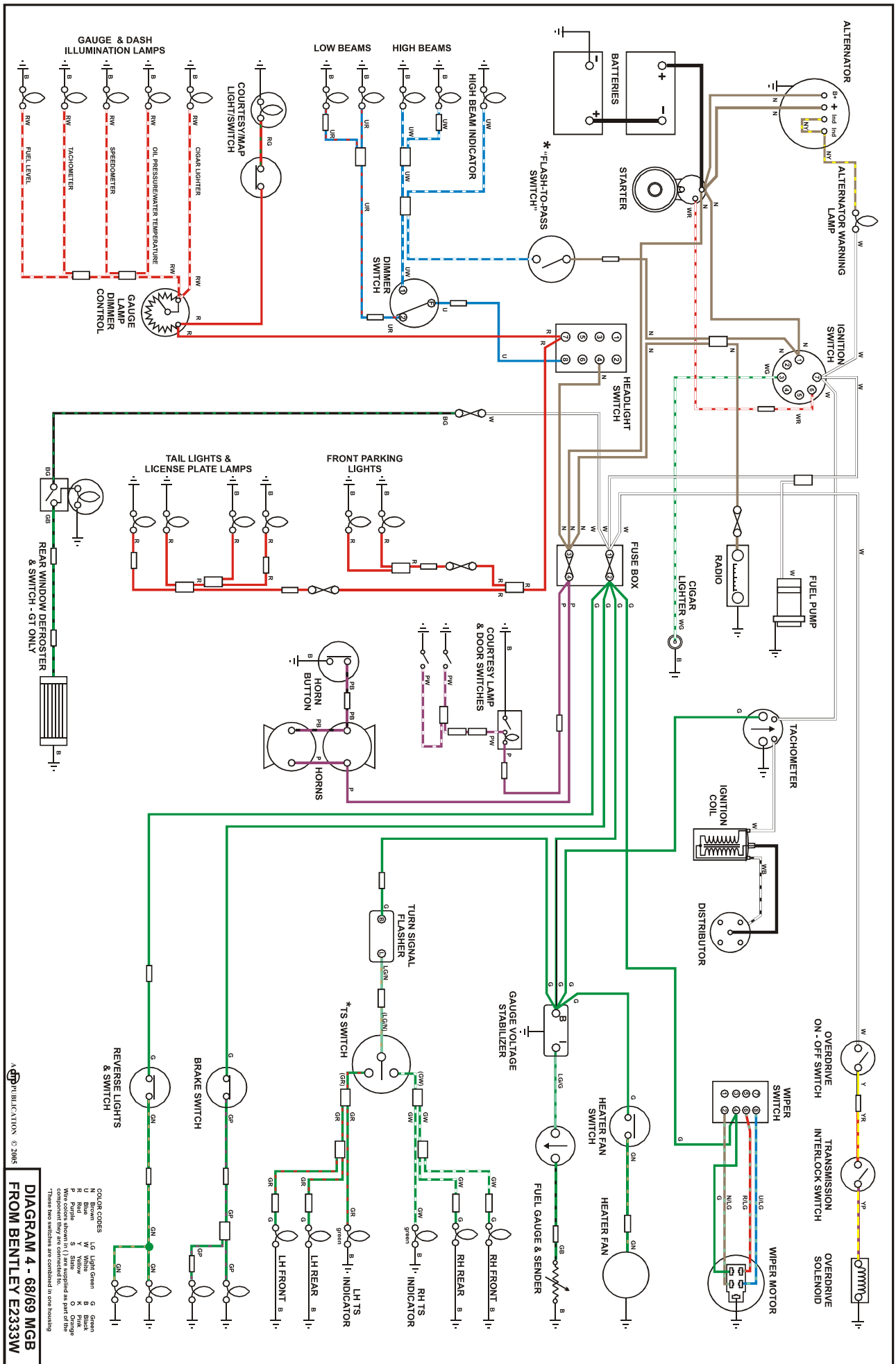
DIAGRAM 3 - 67/68 MGB FROM BENTLEY E1898W

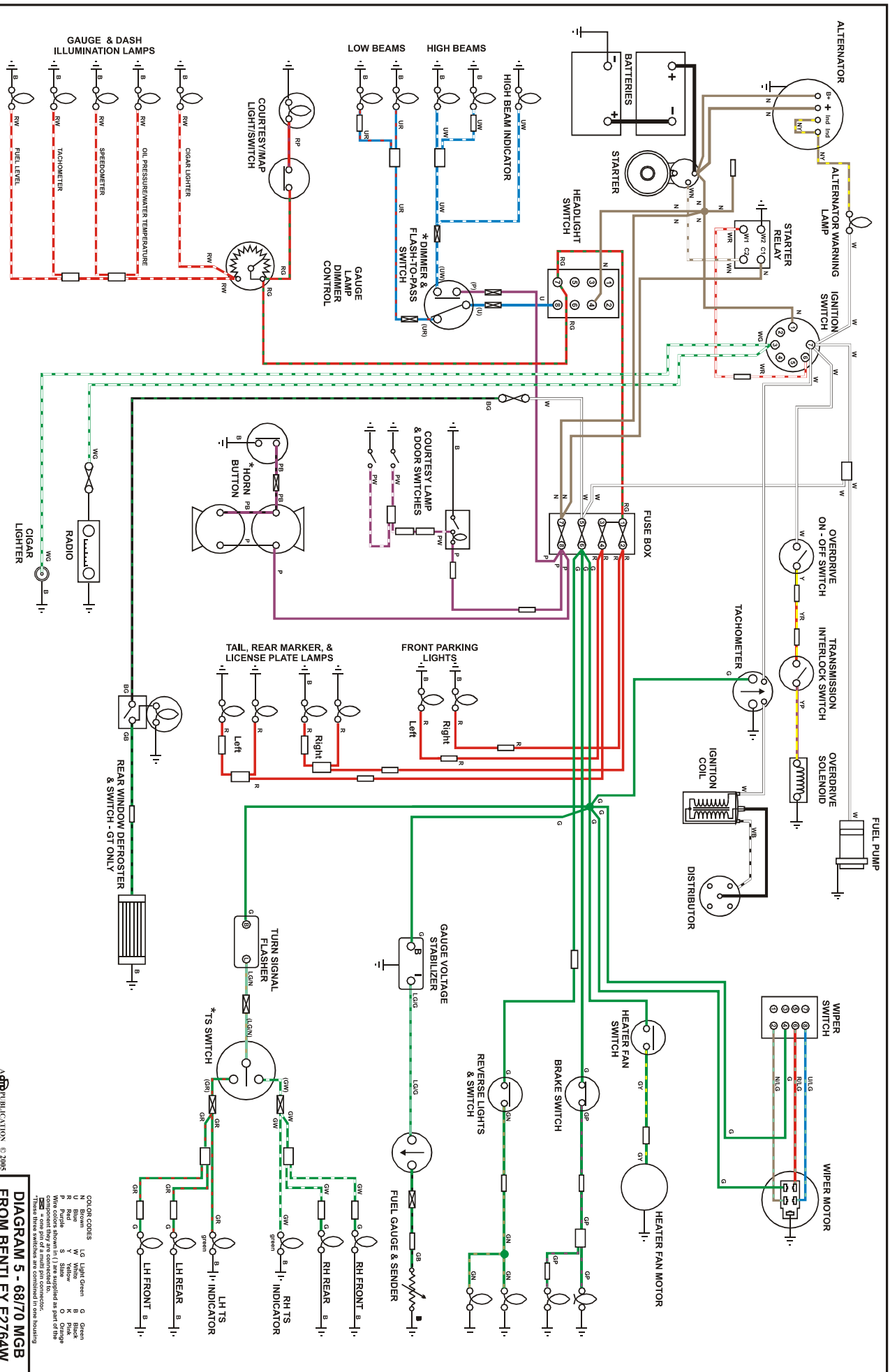
**COLOR CODES**

LG	Light Green	G	Green
U	Blue	W	White
R	Red	B	Black
PW	White	OR	Orange
X	Yellow	GR	Grey
Y	Yellow	BR	Brown
YR	Yellow-Red	GN	Green
YB	Yellow-Blue	BLK	Black
YV	Yellow-Violet	GRN	Green
YR	Yellow-Red	GRN	Green
YB	Yellow-Blue	GRN	Green
YV	Yellow-Violet	GRN	Green

Wire colors shown in ( ) are supplied as part of the equipment. They are connected to ( ) in one housing. \*These are accessories not shown in one housing.

REPUBLICATION © 2015





GM PUBLICATION © 2015  
**DIAGRAM 5 - 68/70 MGB**  
**FROM BENTLEY E2764W**

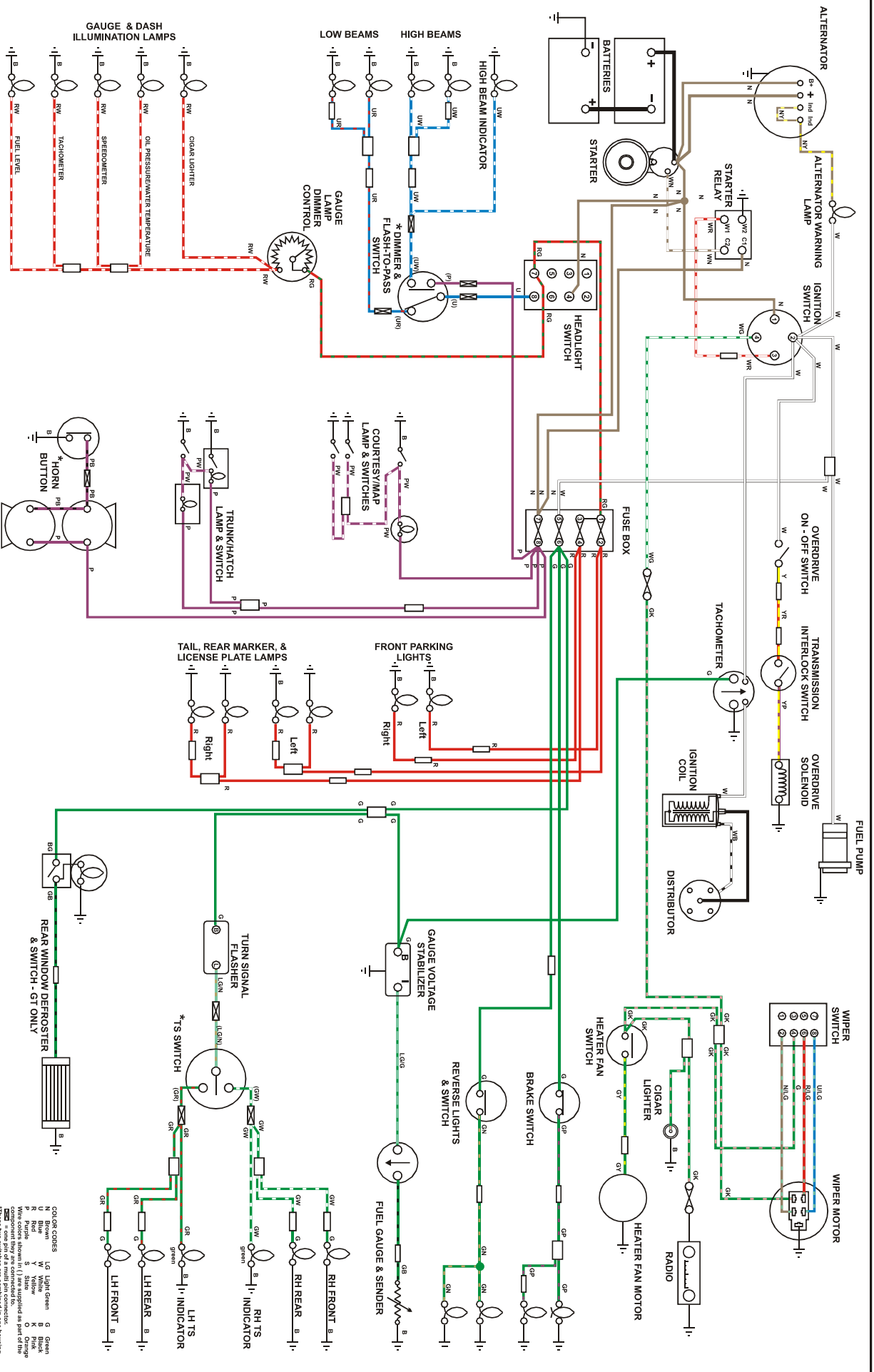


DIAGRAM 6 - 70/71 MGB FROM BENTLEY E3212W

© 2015 A.P. PUBLICATION

These two switches are combined in one housing

Wire colors shown in ( ) are supplied as part of the kit

Color codes are shown in ( )

Color codes are shown in ( )

Color codes are shown in ( )

Color codes are shown in ( )

Color codes are shown in ( )

Color codes are shown in ( )

Color codes are shown in ( )

Color codes are shown in ( )

Color codes are shown in ( )

Color codes are shown in ( )

Color codes are shown in ( )

Color codes are shown in ( )

Color codes are shown in ( )

Color codes are shown in ( )

Color codes are shown in ( )

Color codes are shown in ( )

Color codes are shown in ( )

Color codes are shown in ( )

Color codes are shown in ( )

Color codes are shown in ( )

Color codes are shown in ( )

Color codes are shown in ( )

Color codes are shown in ( )

Color codes are shown in ( )

Color codes are shown in ( )

Color codes are shown in ( )

Color codes are shown in ( )

Color codes are shown in ( )

Color codes are shown in ( )

Color codes are shown in ( )

Color codes are shown in ( )

Color codes are shown in ( )

Color codes are shown in ( )

Color codes are shown in ( )

Color codes are shown in ( )

Color codes are shown in ( )

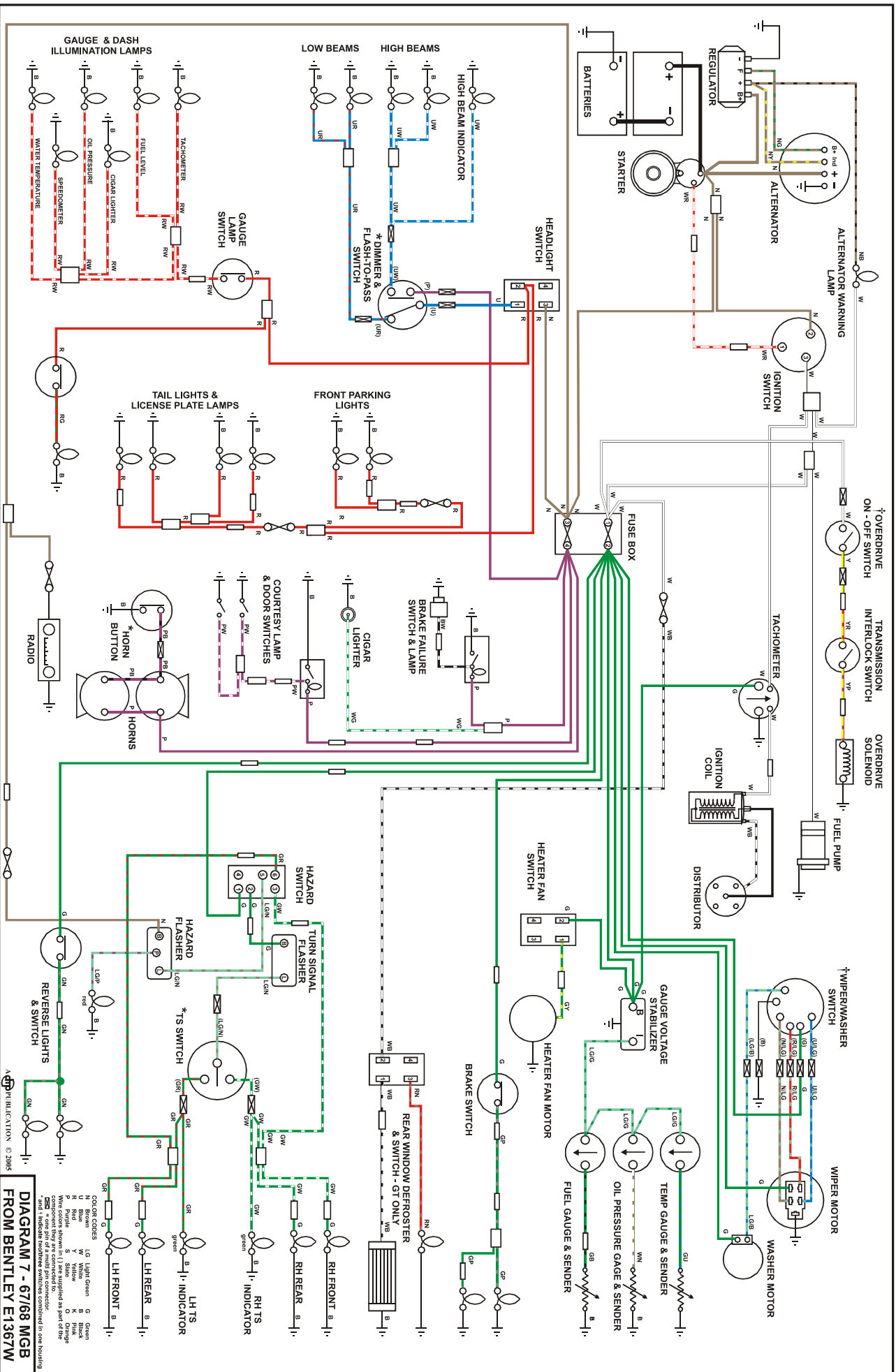
Color codes are shown in ( )

Color codes are shown in ( )

Color codes are shown in ( )

Color codes are shown in ( )

Color codes are shown in ( )



**DIAGRAM 7 - 67/68 MGB**  
**FROM BENTLEY E1367W**

AP PUBLICATION © 2015

Color Codes:  
 L/G Light Green    G Green  
 B Blue                W White  
 R Red                 X Yellow  
 K Black                P Purple  
 SN Silver             BK Black  
 \* Indicates multiple switches contained in one housing.  
 † One end of a multi-pin connector.

Color Codes:  
 L/G Light Green    G Green  
 B Blue                W White  
 R Red                 X Yellow  
 K Black                P Purple  
 SN Silver             BK Black  
 \* Indicates multiple switches contained in one housing.  
 † One end of a multi-pin connector.

Color Codes:  
 L/G Light Green    G Green  
 B Blue                W White  
 R Red                 X Yellow  
 K Black                P Purple  
 SN Silver             BK Black  
 \* Indicates multiple switches contained in one housing.  
 † One end of a multi-pin connector.

Color Codes:  
 L/G Light Green    G Green  
 B Blue                W White  
 R Red                 X Yellow  
 K Black                P Purple  
 SN Silver             BK Black  
 \* Indicates multiple switches contained in one housing.  
 † One end of a multi-pin connector.

Color Codes:  
 L/G Light Green    G Green  
 B Blue                W White  
 R Red                 X Yellow  
 K Black                P Purple  
 SN Silver             BK Black  
 \* Indicates multiple switches contained in one housing.  
 † One end of a multi-pin connector.

Color Codes:  
 L/G Light Green    G Green  
 B Blue                W White  
 R Red                 X Yellow  
 K Black                P Purple  
 SN Silver             BK Black  
 \* Indicates multiple switches contained in one housing.  
 † One end of a multi-pin connector.

Color Codes:  
 L/G Light Green    G Green  
 B Blue                W White  
 R Red                 X Yellow  
 K Black                P Purple  
 SN Silver             BK Black  
 \* Indicates multiple switches contained in one housing.  
 † One end of a multi-pin connector.

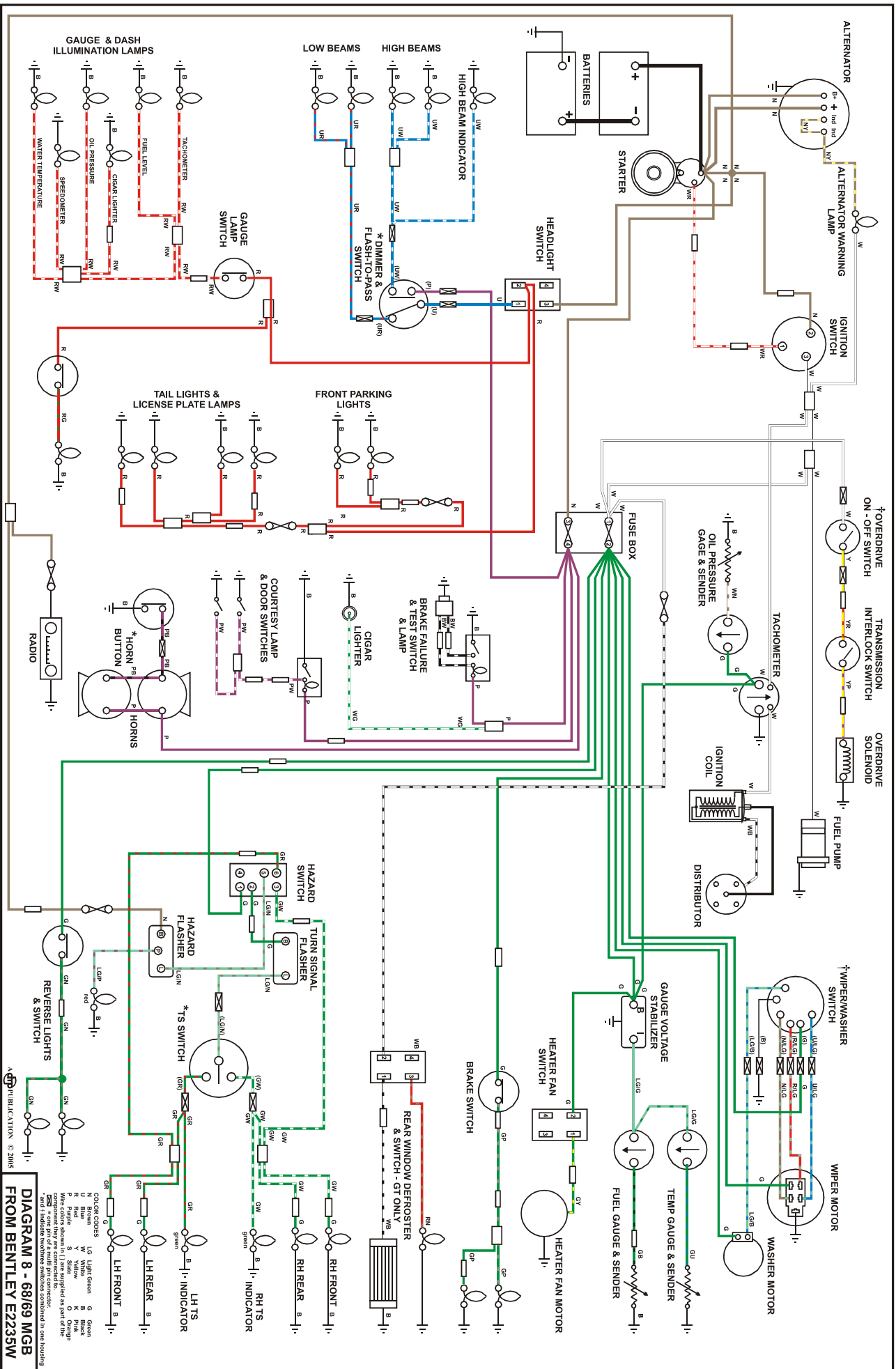
Color Codes:  
 L/G Light Green    G Green  
 B Blue                W White  
 R Red                 X Yellow  
 K Black                P Purple  
 SN Silver             BK Black  
 \* Indicates multiple switches contained in one housing.  
 † One end of a multi-pin connector.

Color Codes:  
 L/G Light Green    G Green  
 B Blue                W White  
 R Red                 X Yellow  
 K Black                P Purple  
 SN Silver             BK Black  
 \* Indicates multiple switches contained in one housing.  
 † One end of a multi-pin connector.

Color Codes:  
 L/G Light Green    G Green  
 B Blue                W White  
 R Red                 X Yellow  
 K Black                P Purple  
 SN Silver             BK Black  
 \* Indicates multiple switches contained in one housing.  
 † One end of a multi-pin connector.

Color Codes:  
 L/G Light Green    G Green  
 B Blue                W White  
 R Red                 X Yellow  
 K Black                P Purple  
 SN Silver             BK Black  
 \* Indicates multiple switches contained in one housing.  
 † One end of a multi-pin connector.

Color Codes:  
 L/G Light Green    G Green  
 B Blue                W White  
 R Red                 X Yellow  
 K Black                P Purple  
 SN Silver             BK Black  
 \* Indicates multiple switches contained in one housing.  
 † One end of a multi-pin connector.



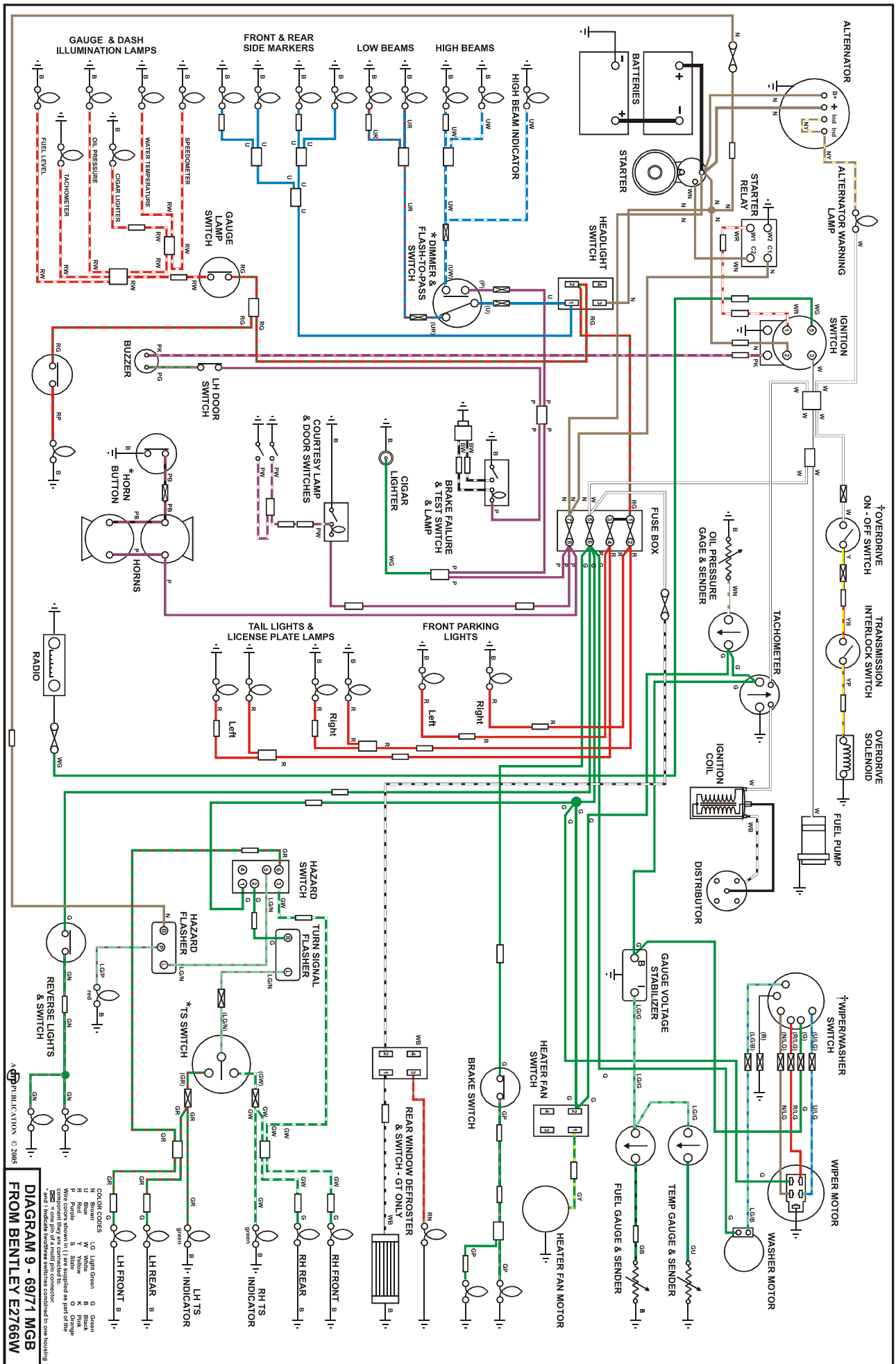
**DIAGRAM 8 - 68/69 MGB**  
**FROM BENTLEY E2235W**

© 2015  
 A PUBLICATION

Color Codes  
 L/L Light Green G Green  
 R Red B Blue  
 W White  
 X Yellow  
 K Black  
 P Purple  
 S Silver  
 \* and † indicate wiper switches combined in one housing  
 † one pin of a multi-pin connector

LH TS INDICATOR  
 LH REAR B  
 LH FRONT B  
 RH FRONT B  
 RH REAR B  
 RH TS INDICATOR  
 \*TS SWITCH  
 † WIPERWASHER SWITCH  
 REVERSE LIGHTS & SWITCH  
 HAZARD FLASHER  
 HAZARD SWITCH  
 TURN SIGNAL  
 REAR WINDOW DEFROSTER & SWITCH - GT ONLY  
 BRAKE SWITCH  
 HEATER FAN MOTOR  
 HEATER FAN SWITCH  
 FUEL GAUGE & SENDER  
 TEMP GAUGE & SENDER  
 GAUGE VOLTAGE STABILIZER  
 DISTRIBUTOR  
 IGNITION COIL  
 OIL PRESSURE GAGE & SENDER  
 TACHOMETER  
 FUEL PUMP  
 SOLENOID  
 OVERDRIVE  
 TRANSMISSION INTERLOCK SWITCH  
 ON-OFF SWITCH  
 † OVERDRIVE  
 ALTERNATOR WARNING LAMP  
 IGNITION SWITCH  
 HEADLIGHT SWITCH  
 STARTER  
 BATTERIES  
 ALTERNATOR  
 HIGH BEAM INDICATOR  
 DIMMER & FLASH-PASS SWITCH  
 LOW BEAMS  
 HIGH BEAMS  
 GAUGE LAMP SWITCH  
 TACHOMETER  
 FUEL LEVEL  
 CLEAN LIGHTER  
 OIL PRESSURE  
 SPEEDOMETER  
 WATER TEMPERATURE  
 GAUGE & DASH ILLUMINATION LAMPS  
 FRONT PARKING LIGHTS  
 CIGAR LIGHTER  
 BRAKE FAILURE & TEST SWITCH & LAMP  
 COURTESY LAMP & DOOR SWITCHES  
 RADIO  
 TAIL LIGHTS & LICENSE PLATE LAMPS  
 HORN BULB  
 HORNS





FROM BENTLEY E276W  
 DIAGRAM 9 - 69/71 MGB  
 A PUBLICATION © 2015

\*TS SWITCH  
 \*DIMMER & FLASH-TO-PASS SWITCH  
 \* indicates wiper switches combined in one housing  
 \* indicates one end of a multi-pin connector  
 \* indicates one end of a multi-pin connector

**COLOR CODES**  
 LG Light Green    G Green  
 W White            B Black  
 R Red                K Purple  
 Y Yellow            X Silver  
 BK Blue             P Pink  
 GR Grey             S Solder

LH TS INDICATOR  
 LH REAR INDICATOR  
 LH FRONT INDICATOR  
 RH TS INDICATOR  
 RH REAR INDICATOR  
 RH FRONT INDICATOR

REVERSE LIGHTS & SWITCH  
 BRAKE SWITCH  
 HEATER FAN SWITCH  
 REAR WINDOW DEFROSTER & SWITCH - GT ONLY

TACHOMETER  
 OIL PRESSURE GAGE & SENDER  
 IGNITION COIL  
 DISTRIBUTOR  
 GAUGE VOLTAGE STABILIZER  
 FUEL GAGE & SENDER  
 TEMP GAGE & SENDER

FUSE BOX  
 CIGAR LIGHTER  
 BRAKE FAILURE & TEST SWITCH & LAMP  
 COURTESY LAMP & DOOR SWITCHES  
 LH DOOR SWITCH  
 BUZZER

HEADLIGHT SWITCH  
 HIGH BEAM INDICATOR  
 HIGH BEAMS  
 LOW BEAMS  
 FRONT & REAR SIDE MARKERS

ALTERNATOR WARNING LAMP  
 IGNITION SWITCH  
 STARTER RELAY  
 STARTER  
 BATTERIES

ON-OFF SWITCH  
 INTERLOCK SWITCH  
 TRANSMISSION INTERLOCK SWITCH  
 OVERDRIVE SOLENOID  
 FUEL PUMP

WIPERWASHER SWITCH  
 WIPER MOTOR  
 WASHER MOTOR

RADIO  
 HORN BUTTON  
 HORNS

GAUGE & DASH ILLUMINATION LAMPS  
 WATER TEMPERATURE  
 OIL PRESSURE  
 CLEAN LIGHTER  
 TACHOMETER  
 FUEL LEVEL

TAIL LIGHTS & LICENSE PLATE LAMPS  
 FRONT PARKING LIGHTS  
 LH DOOR SWITCH  
 BUZZER

ALTERNATOR  
 BATTERIES  
 STARTER  
 STARTER RELAY

ON-OFF SWITCH  
 INTERLOCK SWITCH  
 TRANSMISSION INTERLOCK SWITCH  
 OVERDRIVE SOLENOID  
 FUEL PUMP

WIPERWASHER SWITCH  
 WIPER MOTOR  
 WASHER MOTOR

GAUGE & DASH ILLUMINATION LAMPS  
 WATER TEMPERATURE  
 OIL PRESSURE  
 CLEAN LIGHTER  
 TACHOMETER  
 FUEL LEVEL

TAIL LIGHTS & LICENSE PLATE LAMPS  
 FRONT PARKING LIGHTS  
 LH DOOR SWITCH  
 BUZZER

HEADLIGHT SWITCH  
 HIGH BEAM INDICATOR  
 HIGH BEAMS  
 LOW BEAMS  
 FRONT & REAR SIDE MARKERS

ALTERNATOR WARNING LAMP  
 IGNITION SWITCH  
 STARTER RELAY  
 STARTER  
 BATTERIES

ON-OFF SWITCH  
 INTERLOCK SWITCH  
 TRANSMISSION INTERLOCK SWITCH  
 OVERDRIVE SOLENOID  
 FUEL PUMP

WIPERWASHER SWITCH  
 WIPER MOTOR  
 WASHER MOTOR

GAUGE & DASH ILLUMINATION LAMPS  
 WATER TEMPERATURE  
 OIL PRESSURE  
 CLEAN LIGHTER  
 TACHOMETER  
 FUEL LEVEL

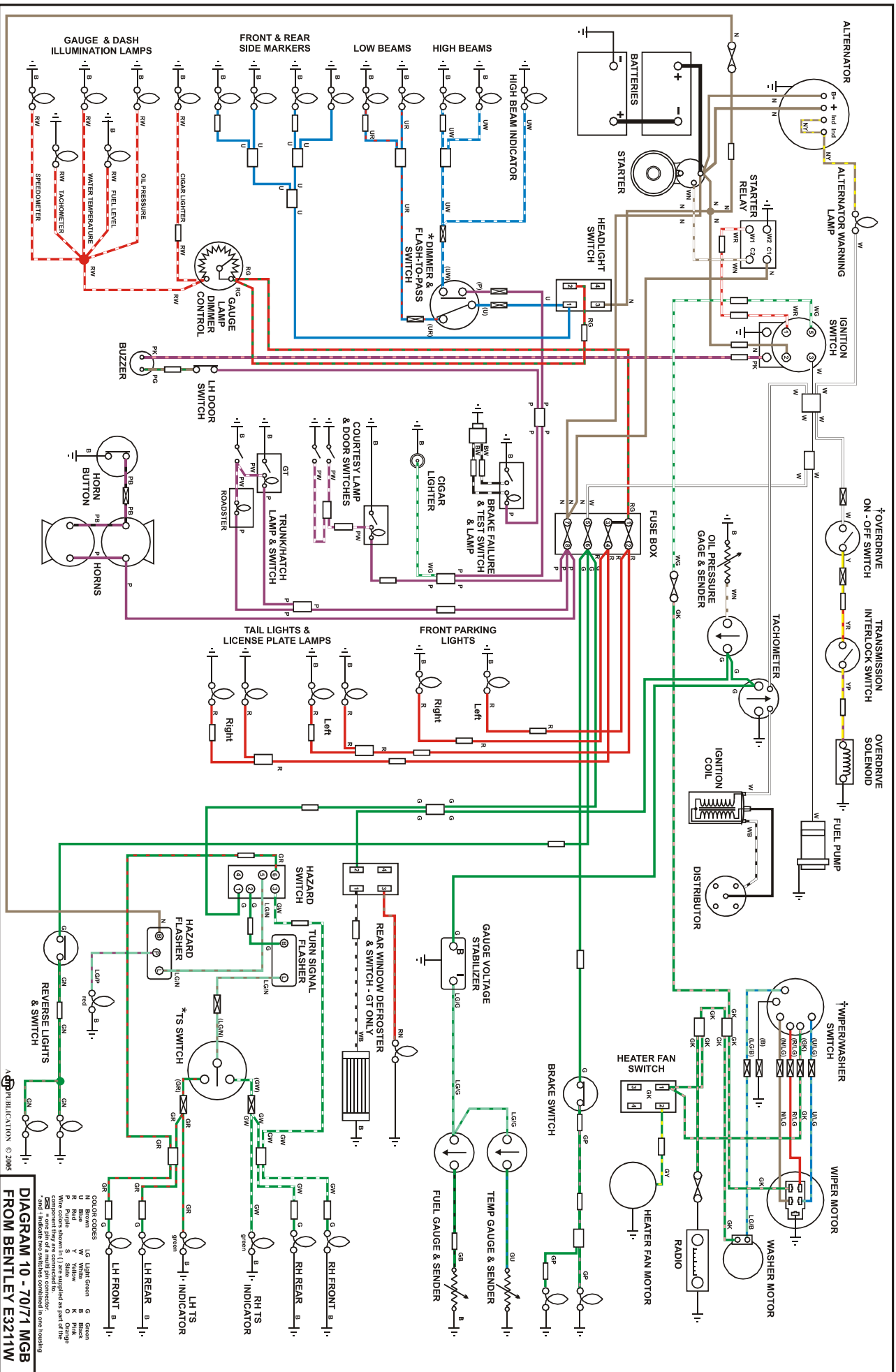
TAIL LIGHTS & LICENSE PLATE LAMPS  
 FRONT PARKING LIGHTS  
 LH DOOR SWITCH  
 BUZZER

HEADLIGHT SWITCH  
 HIGH BEAM INDICATOR  
 HIGH BEAMS  
 LOW BEAMS  
 FRONT & REAR SIDE MARKERS

ALTERNATOR WARNING LAMP  
 IGNITION SWITCH  
 STARTER RELAY  
 STARTER  
 BATTERIES

ON-OFF SWITCH  
 INTERLOCK SWITCH  
 TRANSMISSION INTERLOCK SWITCH  
 OVERDRIVE SOLENOID  
 FUEL PUMP

WIPERWASHER SWITCH  
 WIPER MOTOR  
 WASHER MOTOR



**DIAGRAM 10 - 70/71 MGB**  
**FROM BENTLEY E3211W**

\*TS SWITCH  
 \*DIMMER & FLASH-TO-PASS SWITCH  
 \*REAR WINDOW DEFROSTER & SWITCH - GT ONLY

LH TS INDICATOR  
 RH TS INDICATOR  
 LH FRONT INDICATOR  
 RH FRONT INDICATOR  
 LH REAR INDICATOR  
 RH REAR INDICATOR

LH FRONT  
 RH FRONT  
 LH REAR  
 RH REAR

LH FRONT  
 RH FRONT  
 LH REAR  
 RH REAR

LH FRONT  
 RH FRONT  
 LH REAR  
 RH REAR

LH FRONT  
 RH FRONT  
 LH REAR  
 RH REAR

LH FRONT  
 RH FRONT  
 LH REAR  
 RH REAR

LH FRONT  
 RH FRONT  
 LH REAR  
 RH REAR

LH FRONT  
 RH FRONT  
 LH REAR  
 RH REAR

LH FRONT  
 RH FRONT  
 LH REAR  
 RH REAR

LH FRONT  
 RH FRONT  
 LH REAR  
 RH REAR

LH FRONT  
 RH FRONT  
 LH REAR  
 RH REAR

LH FRONT  
 RH FRONT  
 LH REAR  
 RH REAR

LH FRONT  
 RH FRONT  
 LH REAR  
 RH REAR

LH FRONT  
 RH FRONT  
 LH REAR  
 RH REAR

LH FRONT  
 RH FRONT  
 LH REAR  
 RH REAR

LH FRONT  
 RH FRONT  
 LH REAR  
 RH REAR

LH FRONT  
 RH FRONT  
 LH REAR  
 RH REAR

LH FRONT  
 RH FRONT  
 LH REAR  
 RH REAR

LH FRONT  
 RH FRONT  
 LH REAR  
 RH REAR

LH FRONT  
 RH FRONT  
 LH REAR  
 RH REAR

LH FRONT  
 RH FRONT  
 LH REAR  
 RH REAR

LH FRONT  
 RH FRONT  
 LH REAR  
 RH REAR

LH FRONT  
 RH FRONT  
 LH REAR  
 RH REAR

LH FRONT  
 RH FRONT  
 LH REAR  
 RH REAR

A.P.P. PUBLICATION © 2015

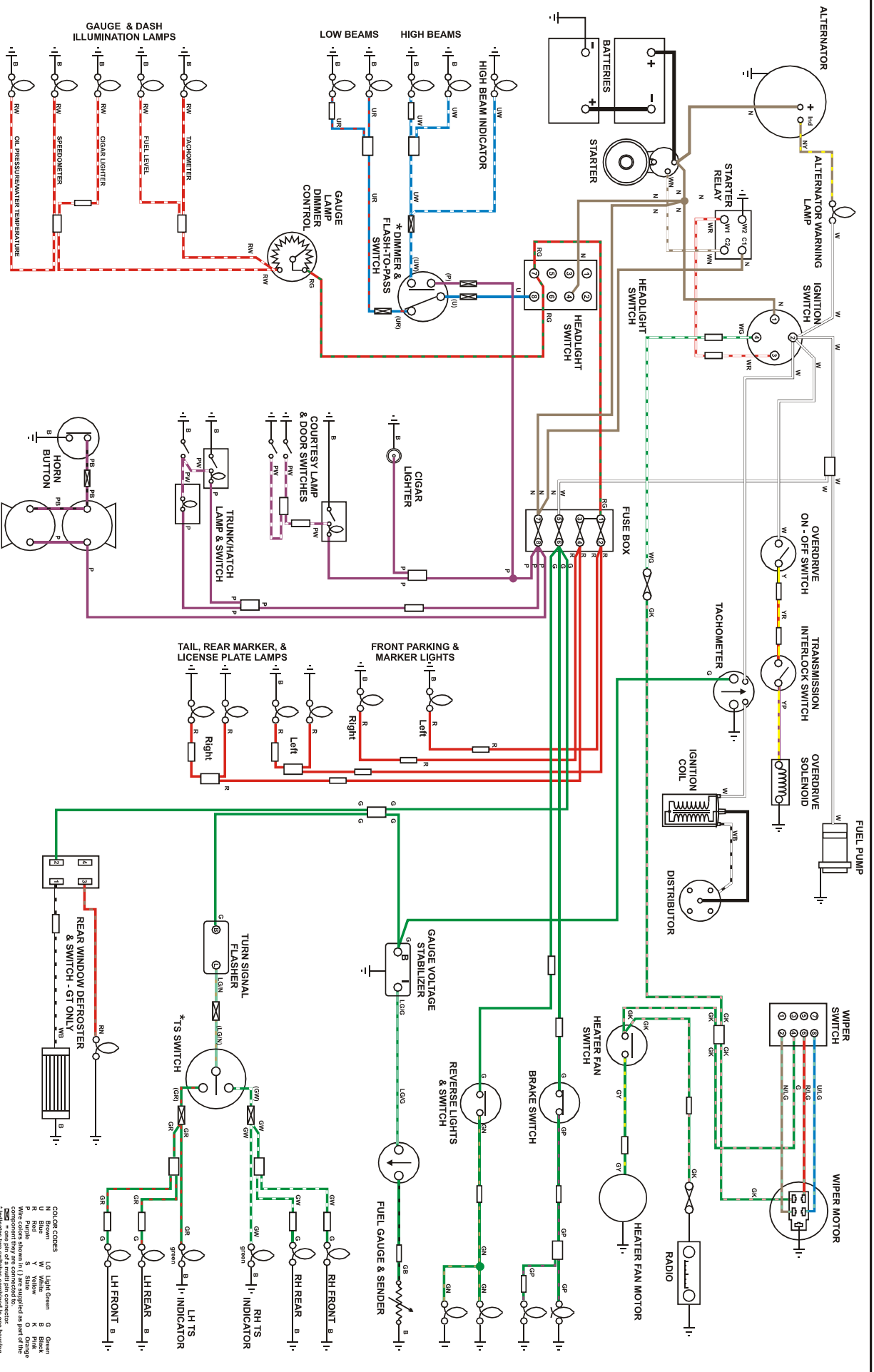


DIAGRAM 11 - 71/72 MGB  
FROM BENTLEY E3212AW

**COLOR CODES**  
 LG Light Green G Green  
 U Blue B Black  
 R Red F Field  
 W White G Ground  
 X Silver  
 Y Yellow  
 P Pink  
 BK Black  
 BR Brown  
 GR Grey  
 GN Green  
 WH White  
 YL Yellow

Wire colors shown in ( ) are supplied as part of the wiring harness.  
 ( ) = one end of a multi-pin connector.  
 ( ) = one end of a multi-pin connector.  
 \* Indicates two switches combined in one housing.

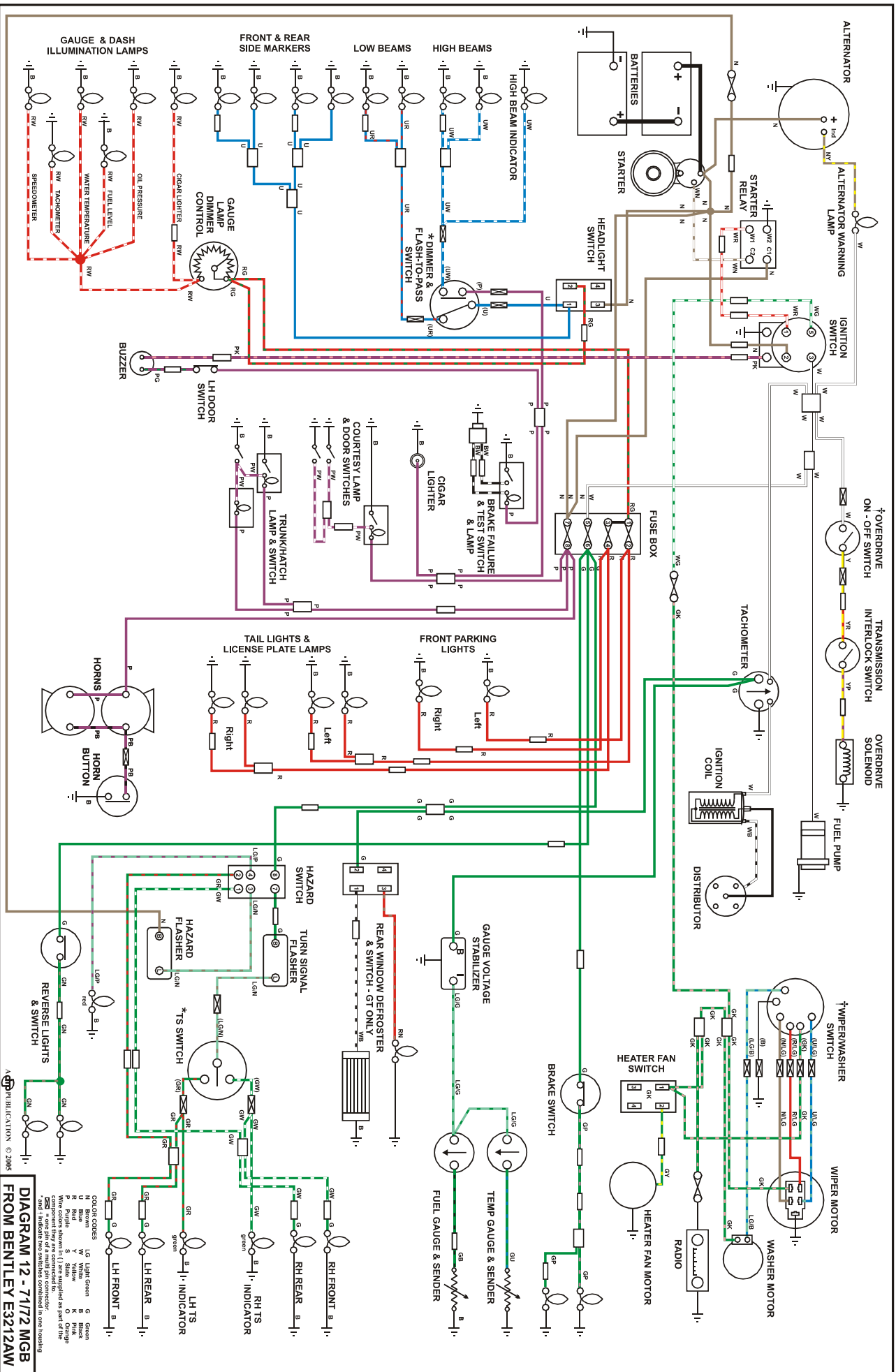


DIAGRAM 12 - 71/72 MGB  
FROM BENTLEY E3212AW

© 2015

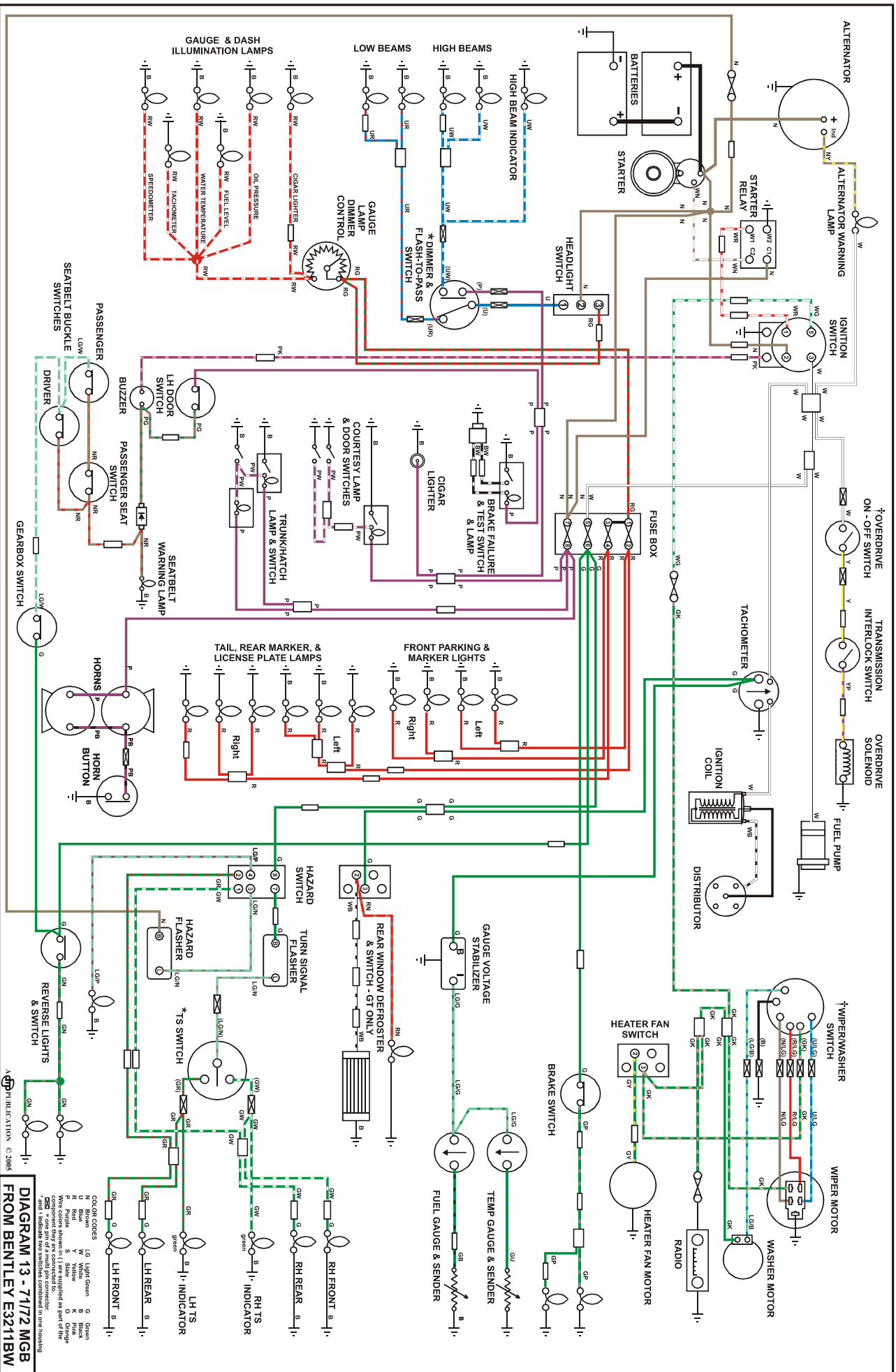


DIAGRAM 13 - 71/72 MGB  
FROM BENTLEY E3211BW

© 2015

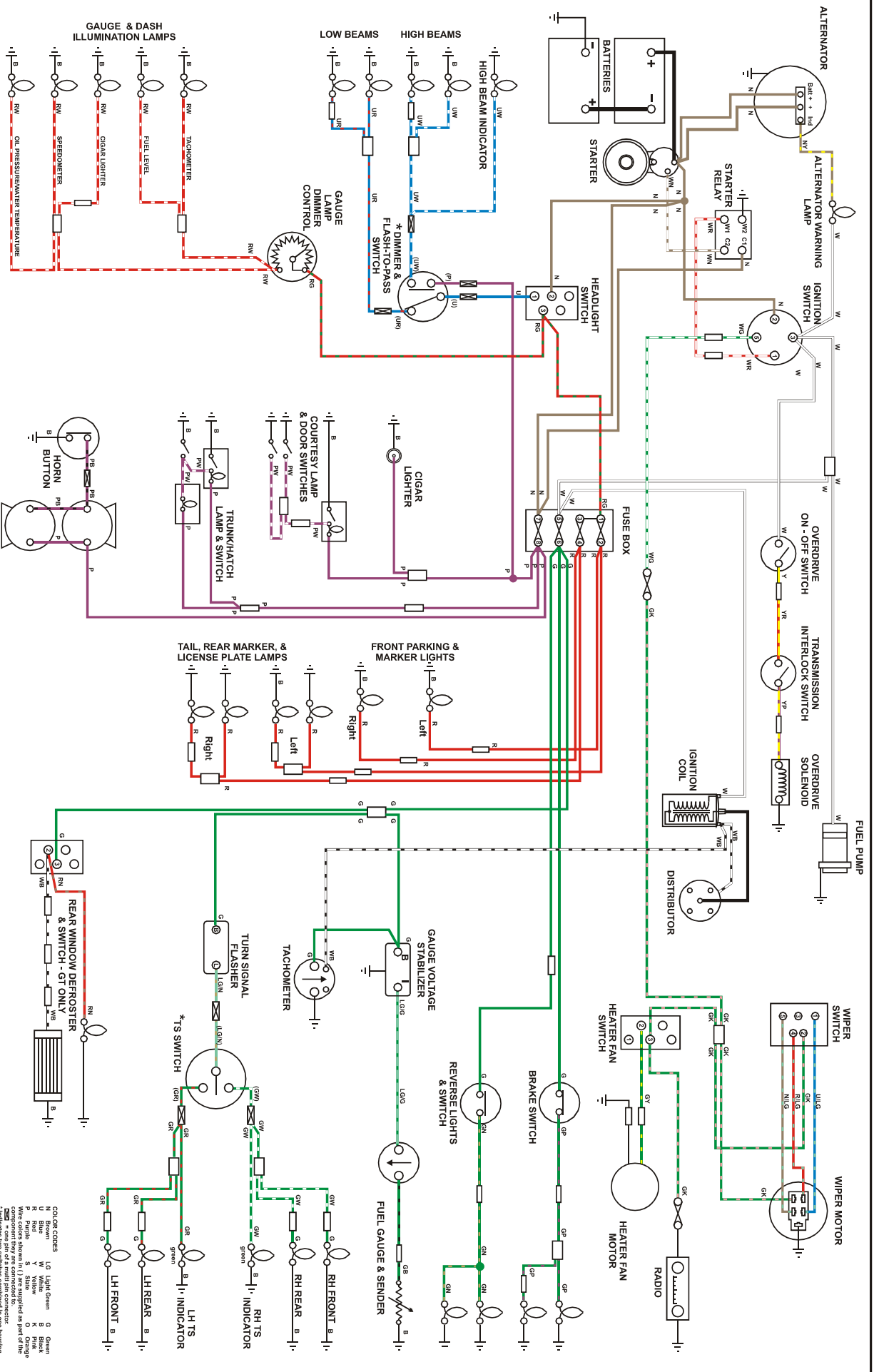
REPRODUCTION

1

WIRE COLOR CODES:  
 LG Light Green    G Green  
 U Blue            B Black  
 W White            BK Blue  
 R Red              Y Yellow  
 X Silver            K Pink  
 SW White            G Purple  
 \* and \* indicates two switches combined in one housing  
 † indicates one end of a multi-pin connector

INDICATOR  
 LH FRONT B  
 LH REAR B  
 RH FRONT B  
 RH REAR B  
 LH TS INDICATOR  
 RH TS INDICATOR

ALTERNATOR  
 ALTERNATOR WARNING LAMP  
 IGNITION SWITCH  
 STARTER RELAY  
 BATTERIES  
 STARTER  
 HEADLIGHT SWITCH  
 HIGH BEAM INDICATOR  
 HIGH BEAMS  
 LOW BEAMS  
 GAUGE & DASH ILLUMINATION LAMPS  
 OIL PRESSURE  
 FUEL LEVEL  
 WATER TEMPERATURE  
 TACHOMETER  
 SPEEDOMETER  
 CIGAR LIGHTER  
 GAUGE LAMP DIMMER CONTROL  
 \* DIMMER & FLASH-TO-PASS SWITCH  
 FUSE BOX  
 TACHOMETER  
 IGNITION COIL  
 DISTRIBUTOR  
 FUEL PUMP  
 SOLENOID  
 OVERDRIVE  
 TRANSMISSION INTERLOCK SWITCH  
 ON-OFF SWITCH  
 † OVERDRIVE  
 CIGAR LIGHTER  
 BRAKE FAILURE & TEST SWITCH & LAMP  
 COURTESY LAMP & DOOR SWITCHES  
 TRUNK/HATCH LAMP & SWITCH  
 BUZZER  
 LH DOOR SWITCH  
 PASSENGER SEAT SWITCH  
 SEATBELT WARNING LAMP  
 SEATBELT BUCKLE SWITCHES  
 DRIVER  
 PASSENGER  
 GEARBOX SWITCH  
 FRONT PARKING & MARKER LIGHTS  
 Left  
 Right  
 TAIL, REAR MARKER, & LICENSE PLATE LAMPS  
 Left  
 Right  
 HORN BUTTON  
 HORN  
 REVERSE LIGHTS & SWITCH  
 \* TS SWITCH  
 HAZARD FLASHER  
 HAZARD SIGNAL FLASHER  
 REAR WINDOW DEFROSTER & SWITCH - GT ONLY  
 GAUGE VOLTAGE STABILIZER  
 FUEL GAUGE & SENDER  
 TEMP GAUGE & SENDER  
 BRAKE SWITCH  
 HEATER FAN MOTOR  
 HEATER FAN SWITCH  
 WIPER MOTOR  
 WIPERWASHER SWITCH  
 WASHER MOTOR  
 RADIO



**COLOR CODES**

L	Light Green	G	Green
U	Blue	W	White
R	Red	B	Black
P	Pink	Y	Yellow
X	Shiny	K	Black
W	White	GR	Grey
OR	Orange	BR	Brown
BL	Black	GRN	Green
BRN	Brown	BLK	Black

Wire colors shown in ( ) are supplied as part of the wiring harness.  
 ( ) = one end of a multi-pin connector.  
 ( ) = one end of a multi-pin connector.  
 \* Indicates two switches combined in one housing.

**DIAGRAM 14 - 72/73 MGB FROM BENTLEY 3NB064**

A 21MS PUBLICATION © 21MS



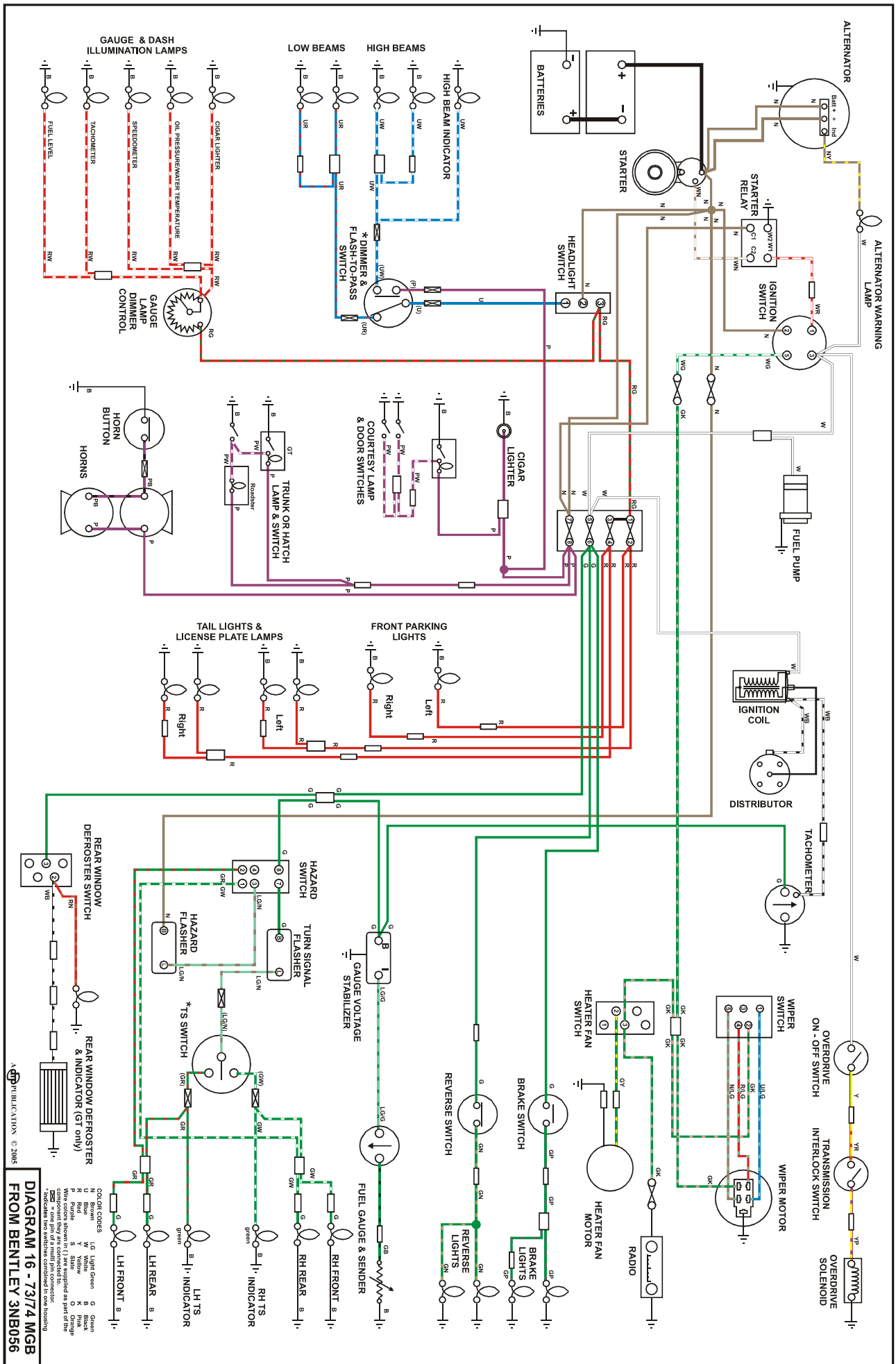


DIAGRAM 16 - 73/74 MGB  
FROM BENTLEY 3NB056

A PUBLICATION © 20MS

**COLOR CODES**  
 L/L Light Green G Green  
 U Blue B Black  
 W White R Red  
 P Pink X Yellow  
 K Black  
 G Green  
 1, 2, 3, 4, 5, 6, 7, 8, 9, 10, 11, 12, 13, 14, 15, 16, 17, 18, 19, 20, 21, 22, 23, 24, 25, 26, 27, 28, 29, 30, 31, 32, 33, 34, 35, 36, 37, 38, 39, 40, 41, 42, 43, 44, 45, 46, 47, 48, 49, 50, 51, 52, 53, 54, 55, 56, 57, 58, 59, 60, 61, 62, 63, 64, 65, 66, 67, 68, 69, 70, 71, 72, 73, 74, 75, 76, 77, 78, 79, 80, 81, 82, 83, 84, 85, 86, 87, 88, 89, 90, 91, 92, 93, 94, 95, 96, 97, 98, 99, 100

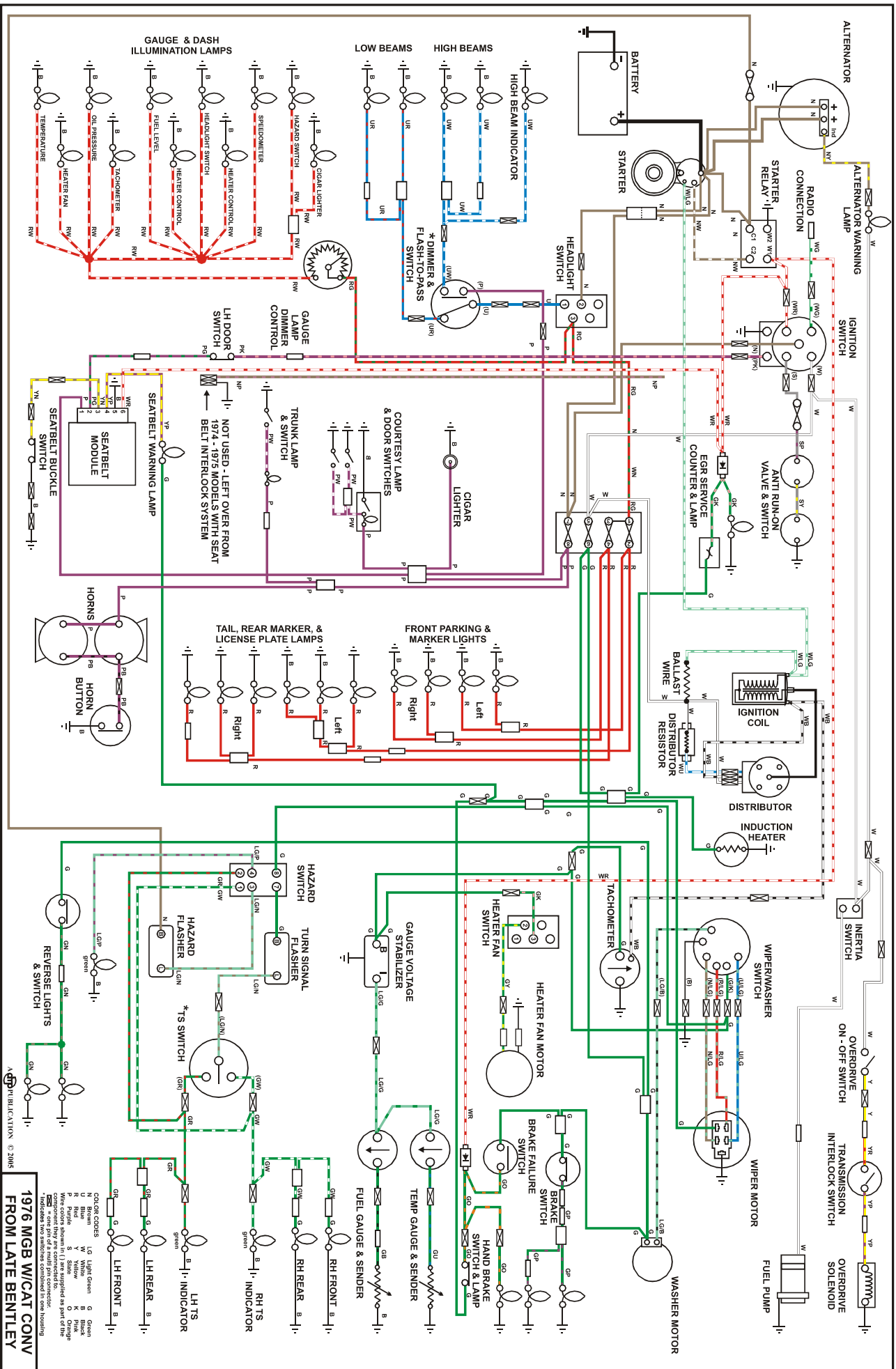
\*TS SWITCH (GT only)  
 \*INDICATOR (GT only)  
 \*INDICATOR (GT only)





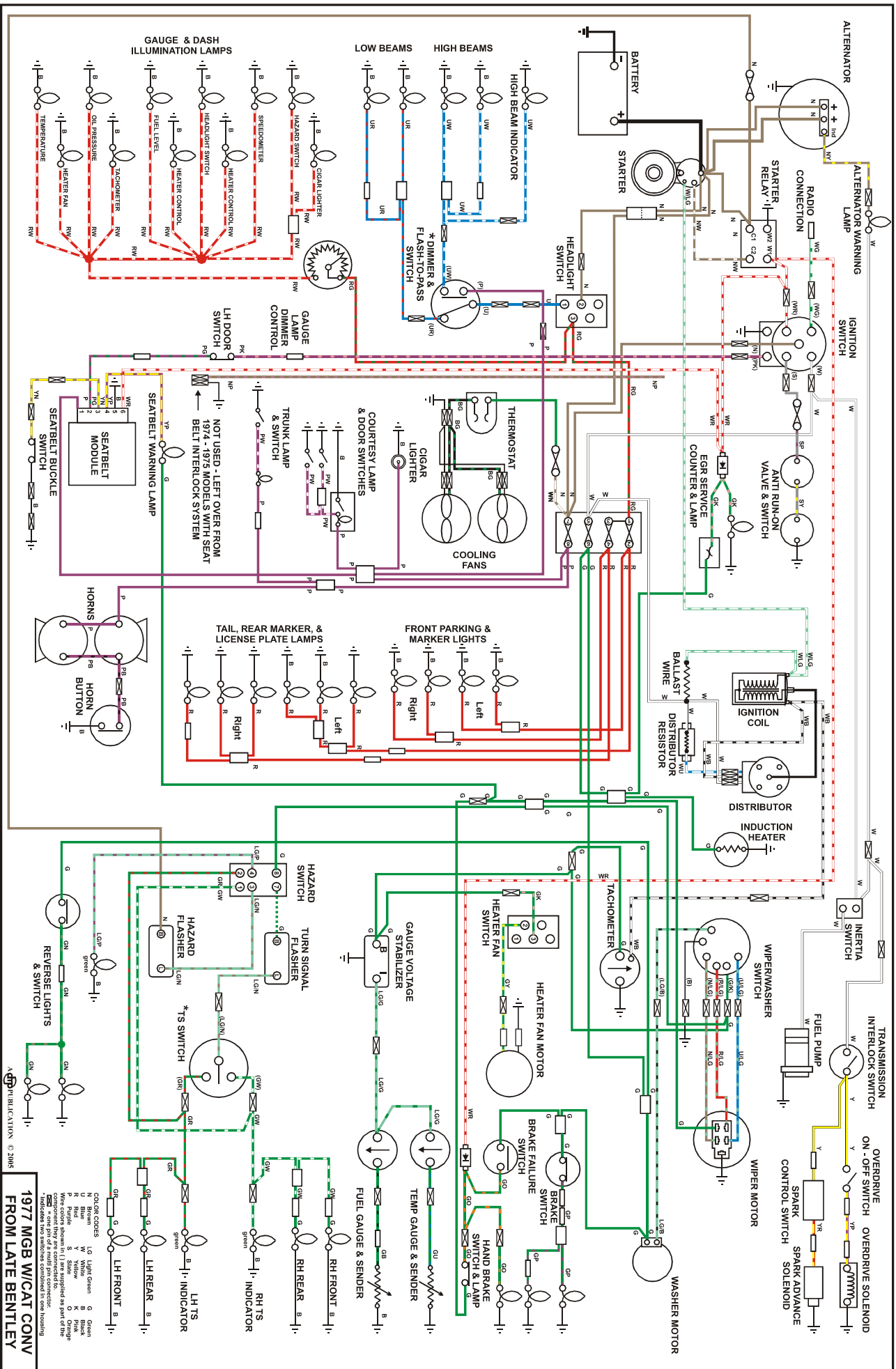




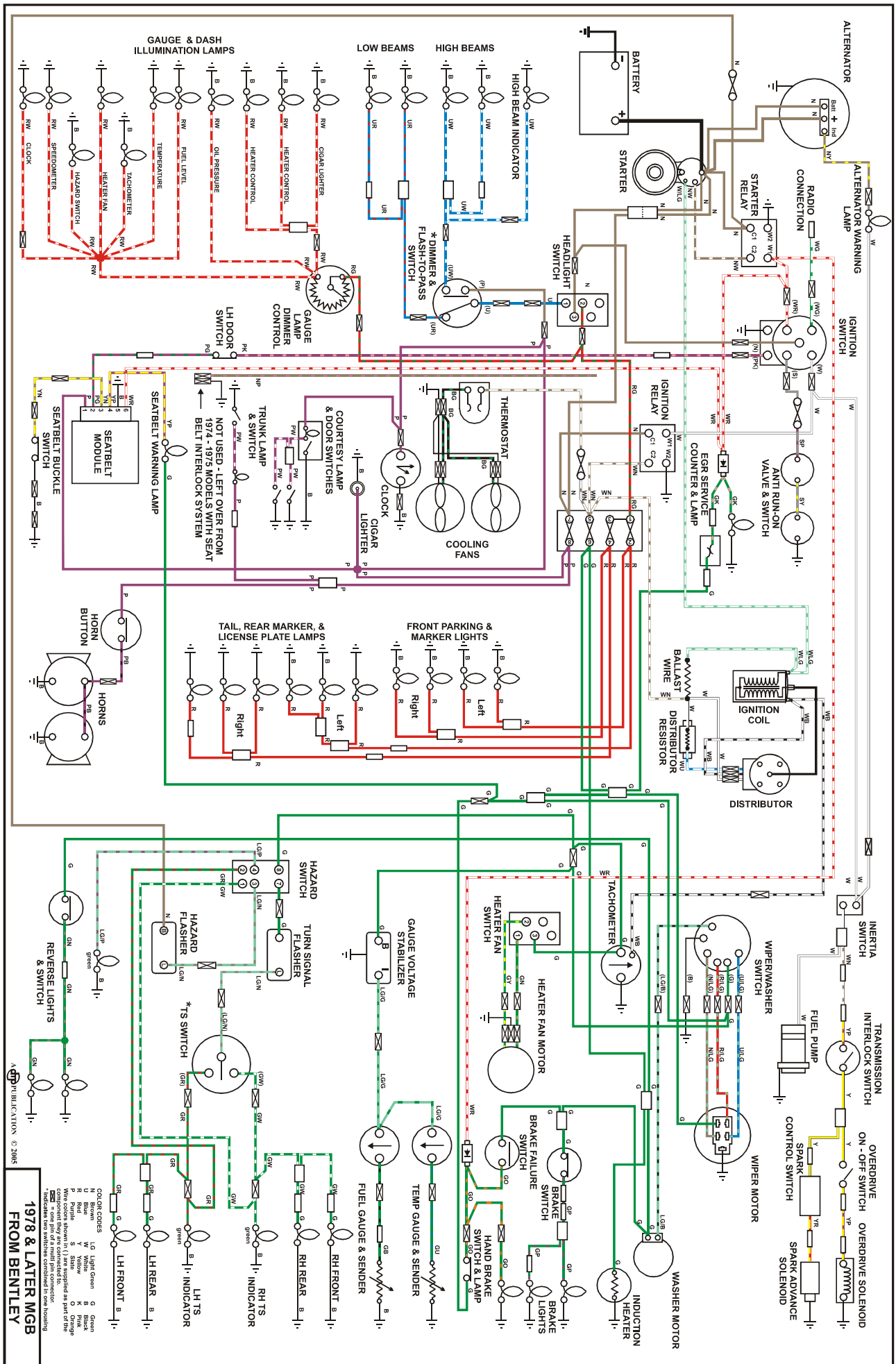


APRIL PUBLICATION © 2015









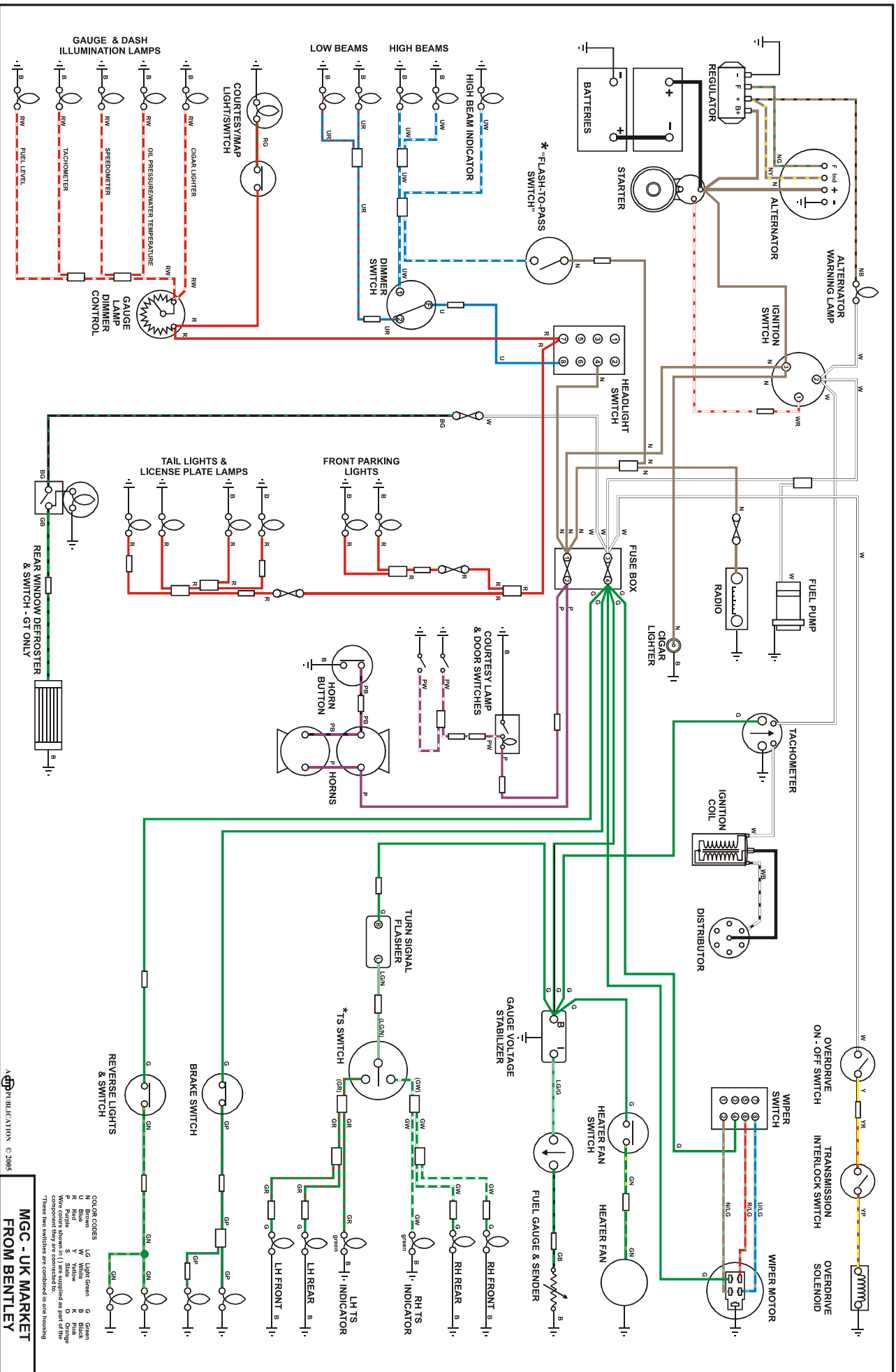
1978 & LATER MGB  
FROM BENTLEY

APRIL PUBLICATION © 20MS

- COLOR CODES**
- L1 Light Green    G Green
  - U Blue            W White
  - R Red             B Black
  - PK Pink            X Silver
  - W White            K Purple
  - Y Yellow            N None
- Wire colors shown in ( ) are supplied as part of the harness. Wire colors shown in [ ] are not supplied as part of the harness. \* - one end of a multi-pin connector. † - indicates two switches combined in one housing.

- INDICATORS**
- LH FRONT B-1
  - RH FRONT B-1
  - LH REAR B-1
  - RH REAR B-1
  - LH TS INDICATOR
  - RH TS INDICATOR





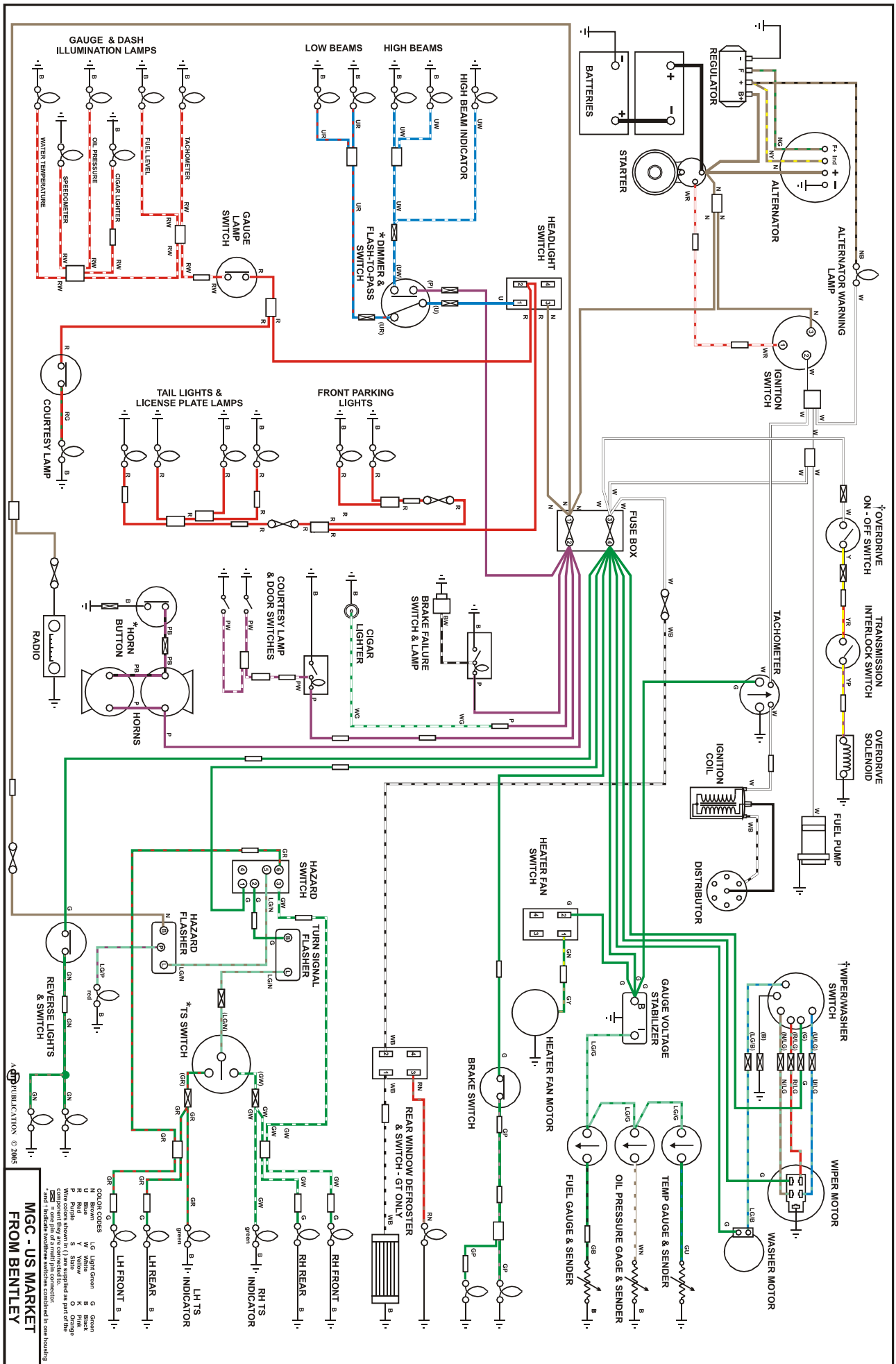
A PUBLICATION © 2015

**MG - UK MARKET  
FROM BENTLEY**

**COLOR CODES**

L	Light Green	G	Green
B	Blue	W	White
U	Blue	R	Red
W	White	X	Yellow
R	Red	Y	Yellow
P	Pink	OR	Orange
Y	Yellow	GR	Grey
OR	Orange	GN	Green
GR	Grey	BLK	Black
GN	Green	BRN	Brown
BLK	Black	BRN	Brown

Wire colors shown in ( ) are supplied as part of the equipment.  
\*These are factory standard colors in one housing.



**MG-C US MARKET**  
**FROM BENTLEY**

\*TS SWITCH  
 \*1'S INDICATOR  
 \*2'S INDICATOR

LH FRONT B  
 LH REAR B  
 RH FRONT B  
 RH REAR B

LH FRONT B  
 LH REAR B  
 RH FRONT B  
 RH REAR B

LH FRONT B  
 LH REAR B  
 RH FRONT B  
 RH REAR B

LH FRONT B  
 LH REAR B  
 RH FRONT B  
 RH REAR B

LH FRONT B  
 LH REAR B  
 RH FRONT B  
 RH REAR B

LH FRONT B  
 LH REAR B  
 RH FRONT B  
 RH REAR B

LH FRONT B  
 LH REAR B  
 RH FRONT B  
 RH REAR B

LH FRONT B  
 LH REAR B  
 RH FRONT B  
 RH REAR B

LH FRONT B  
 LH REAR B  
 RH FRONT B  
 RH REAR B

LH FRONT B  
 LH REAR B  
 RH FRONT B  
 RH REAR B

LH FRONT B  
 LH REAR B  
 RH FRONT B  
 RH REAR B

LH FRONT B  
 LH REAR B  
 RH FRONT B  
 RH REAR B

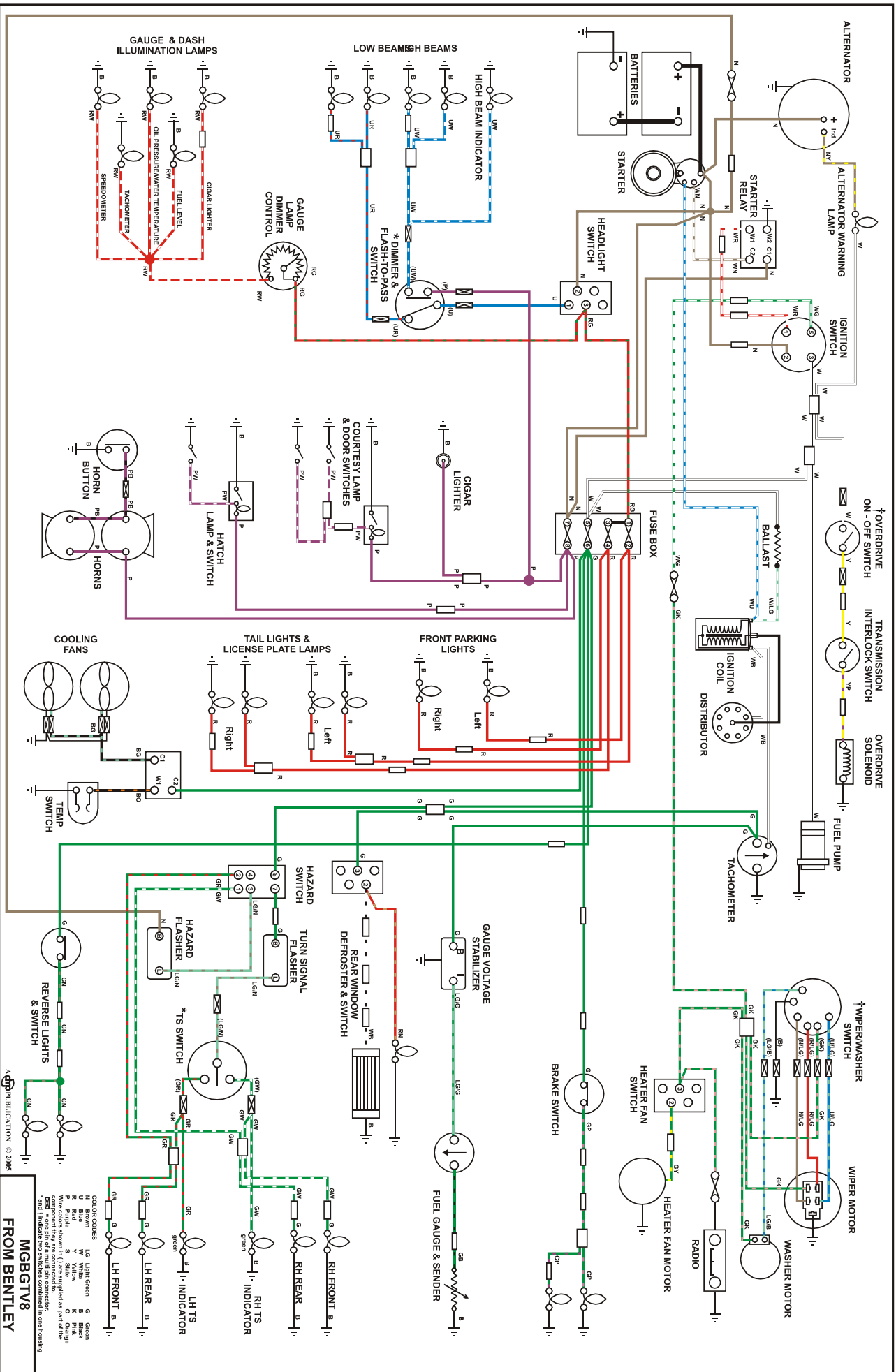
LH FRONT B  
 LH REAR B  
 RH FRONT B  
 RH REAR B

LH FRONT B  
 LH REAR B  
 RH FRONT B  
 RH REAR B

LH FRONT B  
 LH REAR B  
 RH FRONT B  
 RH REAR B

LH FRONT B  
 LH REAR B  
 RH FRONT B  
 RH REAR B

AEP PUBLICATION © 20MS



FROM BENTLEY  
MGBGTV8

A 21MS PUBLICATION © 21MS

- COLOR CODES**
- L/L Light Green
  - B Blue
  - W White
  - R Red
  - Y Yellow
  - X Silver
  - G Green
  - P Pink
  - OR Orange
  - GR Grey
  - GN Green
  - BL Black
  - BR Brown
  - BU Blue
  - BY Yellow
  - GR Green
  - GN Green
  - OR Orange
  - GR Grey
  - GN Green
  - BL Black
  - BR Brown
  - BU Blue
  - BY Yellow
  - GR Green
  - GN Green
  - OR Orange
  - GR Grey
  - GN Green
  - BL Black
  - BR Brown
  - BU Blue
  - BY Yellow

\*TS SWITCH

and T indicate two switches combined in one housing

Wire codes shown in ( ) are supplied as part of the

and T indicate two switches combined in one housing

Wire codes shown in ( ) are supplied as part of the

and T indicate two switches combined in one housing

Wire codes shown in ( ) are supplied as part of the

and T indicate two switches combined in one housing

Wire codes shown in ( ) are supplied as part of the

and T indicate two switches combined in one housing

Wire codes shown in ( ) are supplied as part of the

and T indicate two switches combined in one housing

Wire codes shown in ( ) are supplied as part of the

and T indicate two switches combined in one housing

Wire codes shown in ( ) are supplied as part of the

and T indicate two switches combined in one housing

Wire codes shown in ( ) are supplied as part of the

and T indicate two switches combined in one housing

Wire codes shown in ( ) are supplied as part of the

and T indicate two switches combined in one housing

Wire codes shown in ( ) are supplied as part of the

and T indicate two switches combined in one housing

Wire codes shown in ( ) are supplied as part of the

and T indicate two switches combined in one housing

Wire codes shown in ( ) are supplied as part of the

and T indicate two switches combined in one housing

Wire codes shown in ( ) are supplied as part of the

and T indicate two switches combined in one housing

Wire codes shown in ( ) are supplied as part of the

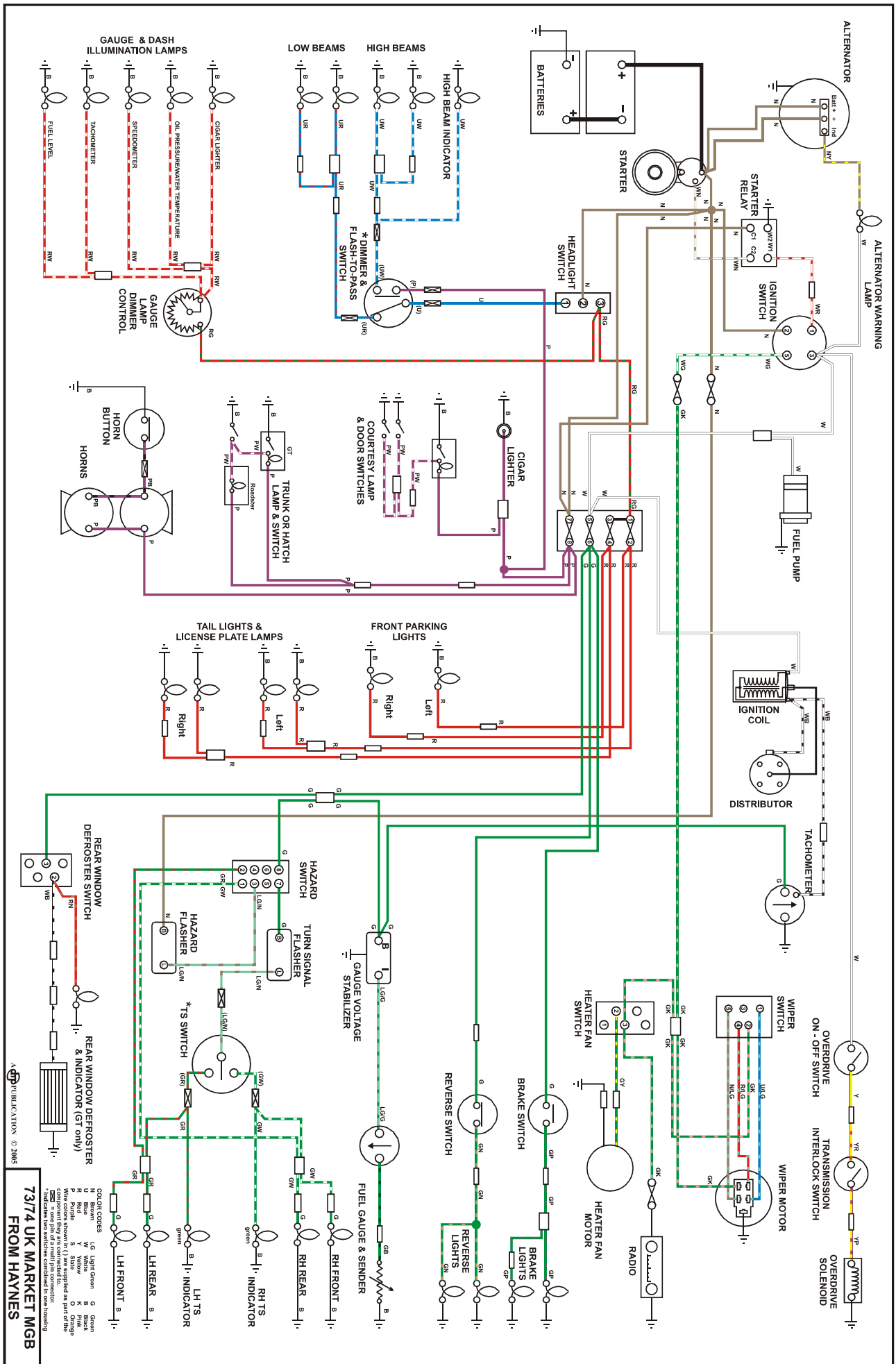
and T indicate two switches combined in one housing

Wire codes shown in ( ) are supplied as part of the

and T indicate two switches combined in one housing

Wire codes shown in ( ) are supplied as part of the

and T indicate two switches combined in one housing



A 2MMS PUBLICATION © 2MMS

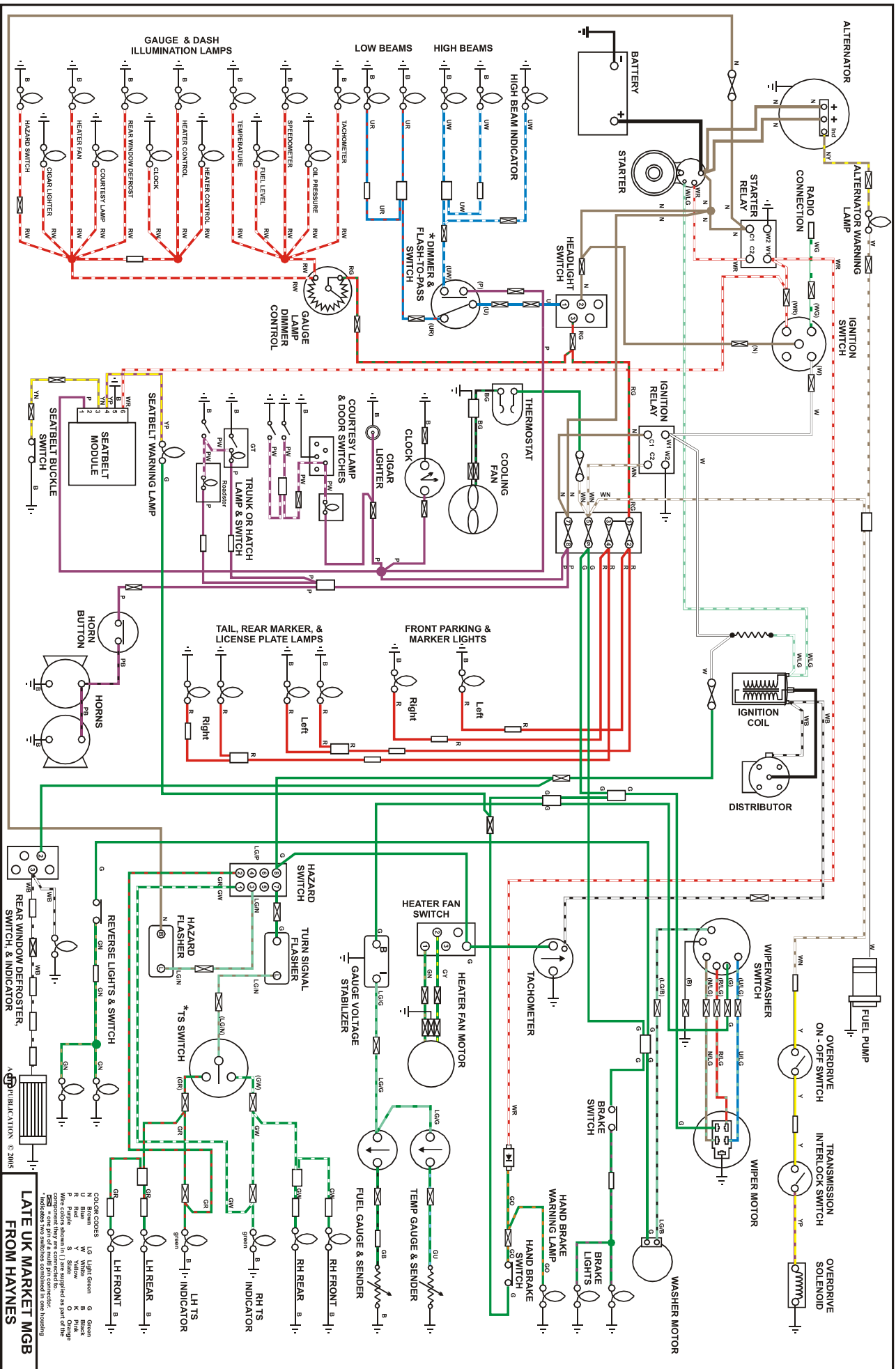
**73/74 UK MARKET MGB FROM HAYNES**

**COLOR CODES**  
 L/L Light Green    G Green  
 U Blue            B Black  
 W White            R Red  
 N Yellow            X Pink  
 K Silver            G Purple  
 M Grey            S Blue-Black  
 S Green            M Blue-Grey  
 \*Indicates two switches combined in one housing  
 †Indicates one end of a multi-pin connector









**LATE UK MARKET MGB FROM HAYNES**

© 2015 HAYNES PUBLICATION

**COLOR CODES**  
 L/G Light Green    G Green  
 U Blue    W White  
 R Red    B Black  
 N/Nd Not Shown    K Pink  
 X Yellow    P Purple  
 S/S Silver    BR/Brg Bronze  
 \*TS = one end of a multi-pin connector.  
 \*\*Indicates two switches combined in one housing.